

# Product data sheet

Specifications



redundant processor, Modicon M580, 64MB, 61 Ethernet devices, 31 remote IO racks of X80 and Quantum IO

BMEH586040

## Main

Range Of Product	Modicon M580
Product Or Component Type	Redundant processor module

## Complementary

Number Of Racks	1
Application Specific I/O	Counter SSI encoder Serial link HART Accurate time stamping Motion control
Checks	Process control
Control Channels	Programmable loops
Integrated Connection Type	1 Ethernet TCP/IP service port 2 Ethernet TCP/IP device network USB type mini B 1 Ethernet HSBY port
Number Of Remote I/O Station	31 - 2 X80 and Quantum drops
Number Of Distributed Equipment	64
Communication Module Processor Capacity	6 Ethernet communication module 24 AS-Interface module
Communication Service	DIO scanner RIO scanner
Memory Description	Expandable flash, 4 GB data storage Integrated RAM, 10 kB system memory Integrated RAM, 64 MB program and data Integrated RAM, 4096 kB HSBY data
Application Structure	1 cyclic/periodic master task 1 periodic fast task
Cybersecurity	Achilles certified DoS prevention IPSec SNMP logging Syslog protocol support Transport layer security Audit trail Embedded firewall Firmware signature Password protection Port hardening Secure communication (HTTPS) Security log
Number Of Instructions Per Ms	40 Kinst/ms 100 % Boolean 60 Kinst/ms 65 % Boolean + 35 % fixed arithmetic

Disclaimer: This documentation is not intended as a substitute for and is not to be used for determining suitability or reliability of these products for specific user applications

<b>Current Consumption</b>	365 mA 24 V DC
<b>Mtbf Reliability</b>	650000 H
<b>Marking</b>	CE

## Environment

<b>Vibration Resistance</b>	3 gn
<b>Shock Resistance</b>	30 gn
<b>Ambient Air Temperature For Operation</b>	32...140 °F (0...60 °C)
<b>Ambient Air Temperature For Storage</b>	-40...185 °F (-40...85 °C)
<b>Operating Altitude</b>	0...2000 m 2000...5000 m with derating factor
<b>Relative Humidity</b>	5...95 % 131 °F (55 °C) without condensation
<b>Ip Degree Of Protection</b>	IP20
<b>Directives</b>	2014/35/EU - low voltage directive 2014/30/EU - electromagnetic compatibility
<b>Product Certifications</b>	CE UL CSA RCM EAC Merchant Navy
<b>Standards</b>	IEC 61131-2 IEC 61010-2-201 UL 61010-2-201 CSA C22.2 No 61010-2-201 IACS E10 EN/IEC 61000-6-5, interface type 1 and type 2 EN/IEC 61850-3, location G
<b>Environmental Characteristic</b>	Hazardous location class I division 2
<b>Supply</b>	Internal power supply via rack
<b>Status Led</b>	1 LED (green) processor running (RUN) 1 LED (red) processor or system fault (ERR) 1 LED (red) I/O module fault (I/O) 1 LED (green) download in progress (DL) 1 LED (red) memory card or CPU flash fault (BACKUP) 1 LED (green/red) ETH MS (Ethernet port configuration status) 1 LED (green/red) Eth NS (Ethernet network status) 1 LED (green) peer processor running (REMOTE RUN) 1 LED (green) processor ID set to A (A) 1 LED (green) processor ID set to B (B) 1 LED (green) processor acting as Primary (PRIM) 1 LED (green) processor acting as Standby (STBY) 1 LED (green) I/O values overridden by user (FORCED IO) 1 LED (green) Hot standby link status (Hsby Diag)
<b>Net Weight</b>	1.87 lb(US) (0.849 kg)

## Packing Units

<b>Unit Type Of Package 1</b>	PCE
<b>Number Of Units In Package 1</b>	1
<b>Package 1 Height</b>	3.43 in (8.700 cm)
<b>Package 1 Width</b>	6.97 in (17.700 cm)
<b>Package 1 Length</b>	9.84 in (25.000 cm)
<b>Package 1 Weight</b>	30.97 oz (878.000 g)
<b>Unit Type Of Package 2</b>	S03

---

<b>Number Of Units In Package 2</b>	6
<b>Package 2 Height</b>	11.81 in (30.000 cm)
<b>Package 2 Width</b>	11.81 in (30.000 cm)
<b>Package 2 Length</b>	15.75 in (40.000 cm)
<b>Package 2 Weight</b>	12.41 lb(US) (5.631 kg)

---

## Sustainability

**Green Premium™ label** is Schneider Electric's commitment to delivering products with best-in-class environmental performance. Green Premium promises compliance with the latest regulations, transparency on environmental impacts, as well as circular and low-CO<sub>2</sub> products.

**Guide to assessing product sustainability** is a white paper that clarifies global eco-label standards and how to interpret environmental declarations.

[Learn more about Green Premium >](#)

[Guide to assess a product's sustainability >](#)



Transparency RoHS/REACH

## Well-being performance

Mercury Free

Rohs Exemption Information Yes

## Certifications & Standards

Reach Regulation [REACH Declaration](#)

Eu Rohs Directive Pro-active compliance (Product out of EU RoHS legal scope)

China Rohs Regulation [China RoHS declaration](#)

Environmental Disclosure [Product Environmental Profile](#)

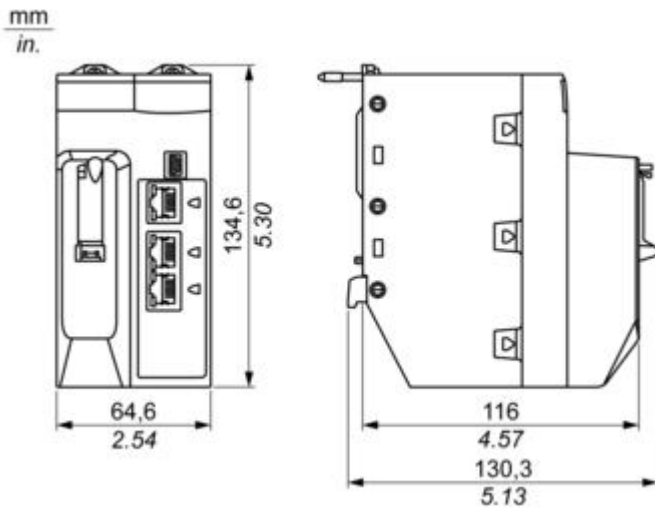
Weee The product must be disposed on European Union markets following specific waste collection and never end up in rubbish bins

Circularity Profile [End of Life Information](#)

Dimensions Drawings

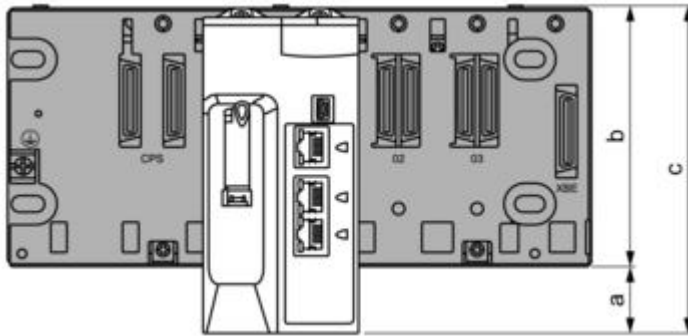
CPU Module Only

---



**Modules Mounted on Racks**

---

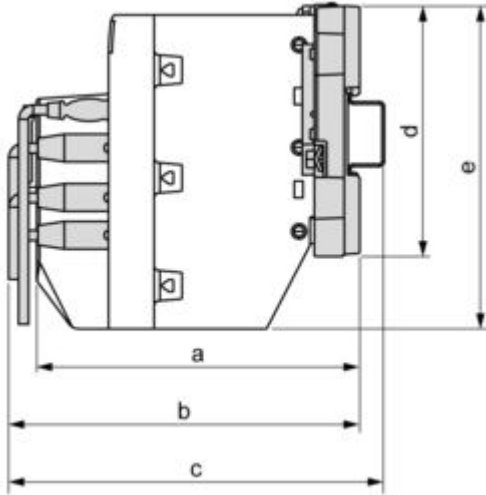


**a:** additional space below the rack to accommodate the height of the CPU. For an X Bus rack, the value is 30.9 mm (1.217 in.); for an Ethernet rack, the value is 29.49 mm (1.161 in.).

**b:** the height of the rack. For an X Bus rack, the height is 103.7 mm (4.083 in.); for an Ethernet rack, the height is 105.11 mm (4.138 in.).

**c:** the height of the main local rack, 134.6 mm (5.299 in.)

Modules and Cables Mounted in an Enclosure



a: enclosure depth: 135 mm (5.315 in.)

b: wiring + module depth: > 146 mm (5.748 in.)

c: wiring + module + DIN rail depth: > 156 mm (6.142 in.)

d: rack height: for an X Bus rack 103.7 mm (4.083 in.); for an Ethernet rack, 105.11 mm (4.138 in.)

e: module height: 134.6 mm (5.299 in.)