

Product data sheet

Specifications



network module, Modicon M580, FactoryCast Ethernet

BMENOC0311

Main

Range Of Product	Modicon M580
Product Or Component Type	Communication module
Product Compatibility	BMEXBP... - Ethernet + X-bus rack
Concept	Transparent Ready

Complementary

Integrated Connection Type	3 Ethernet RJ45 10/100 Mbit/s double shielded twisted pair
Web Server	Advanced
Transmission Support Medium	Ethernet backplane
Communication Service	Bandwidth management FDR server SNMP network administrator Modbus TCP I/O Scanner and Messaging Ethernet/IP I/O Scanner and Messaging RSTP support Port mirroring Embedded multiport switch
Web Services	FactoryCast configurable
Port Ethernet	10BASE-T/100BASE-TX
Supply	Internal power supply via rack
Marking	CE
Module Format	Standard
Current Consumption	900 mA 3.3 V DC for product version >= 13) 1800 mA 3.3 V DC for product version < 13)
Net Weight	0.44 lb(US) (0.2 kg)

Environment

Ambient Air Temperature For Operation	32...140 °F (0...60 °C)
Ip Degree Of Protection	IP20
Directives	2014/35/EU - low voltage directive 2014/30/EU - electromagnetic compatibility
Local Signalling	Processor running (RUN) 1 LED green) Processor or system fault (ERR) 1 LED red) ETH MS (Ethernet port configuration status) 1 LED green/red) Eth NS (Ethernet network status) 1 LED green/red)

Packing Units

Unit Type Of Package 1	PCE
------------------------	-----

Number Of Units In Package 1	1
Package 1 Height	2.17 in (5.500 cm)
Package 1 Width	4.33 in (11.000 cm)
Package 1 Length	4.57 in (11.600 cm)
Package 1 Weight	8.99 oz (255.000 g)
Unit Type Of Package 2	S02
Number Of Units In Package 2	15
Package 2 Height	5.91 in (15.000 cm)
Package 2 Width	11.81 in (30.000 cm)
Package 2 Length	15.75 in (40.000 cm)
Package 2 Weight	9.01 lb(US) (4.088 kg)

Sustainability

Green Premium™ label is Schneider Electric's commitment to delivering products with best-in-class environmental performance. Green Premium promises compliance with the latest regulations, transparency on environmental impacts, as well as circular and low-CO₂ products.

Guide to assessing product sustainability is a white paper that clarifies global eco-label standards and how to interpret environmental declarations.

[Learn more about Green Premium >](#)

[Guide to assess a product's sustainability >](#)



Transparency RoHS/REACH

Well-being performance

Mercury Free

RoHS Exemption Information Yes

Certifications & Standards

Reach Regulation [REACH Declaration](#)

Eu RoHS Directive Pro-active compliance (Product out of EU RoHS legal scope)

China RoHS Regulation [China RoHS declaration](#)

Environmental Disclosure [Product Environmental Profile](#)

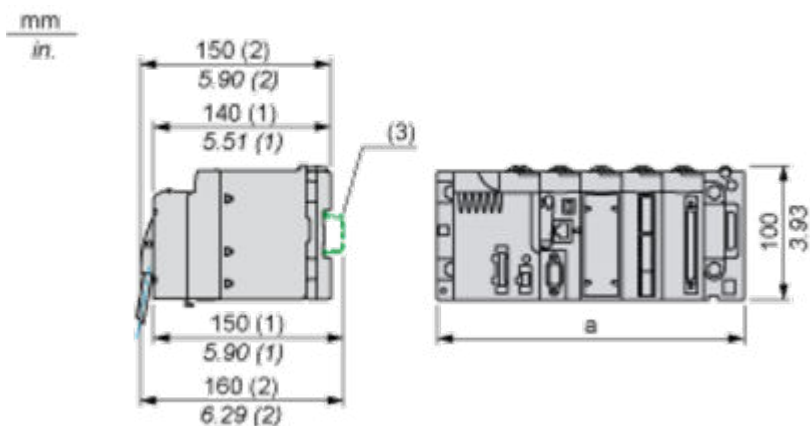
Weee The product must be disposed on European Union markets following specific waste collection and never end up in rubbish bins

Circularity Profile [End of Life Information](#)

Dimensions Drawings

Modules Mounted on Racks

Dimensions



(1) With removable terminal block (cage, screw or spring).

(2) With FCN connector.

(3) On AM1 ED rail: 35 mm wide, 15 mm deep. Only possible with BMXXBP0400/0400H/0600/0600H/0800/0800H rack.

Rack references	a in mm	a in in.
BMXXBP0400 and BMXXBP0400H	242.4	09.54
BMXXBP0600 and BMXXBP0600H	307.6	12.11
BMXXBP0800 and BMXXBP0800H	372.8	14.68
BMXXBP1200 and BMXXBP1200H	503.2	19.81