

Product data sheet

Specifications



standalone processor, Modicon M580, 12MB, 61 Ethernet devices, 16 remote IO racks

BMEP583040

Main

| | |
|---------------------------|------------------|
| Range Of Product | Modicon M580 |
| Product Or Component Type | Processor module |

Complementary

| | |
|---|---|
| Number Of Racks | 8 |
| Local I/O Processor Capacity (Discrete) | 3072 I/O |
| Local I/O Processor Capacity (Analog) | 768 I/O |
| Number Of Application Specific Channel (Local Rack) | 108 |
| Application Specific I/O | Serial link Motion control Counter SSI encoder HART Accurate time stamping |
| Checks | Process control |
| Control Channels | Programmable loops |
| Integrated Connection Type | 1 Ethernet TCP/IP service port 2 Ethernet TCP/IP device network USB type mini B |
| Number Of Remote I/O Station | 16 - 2 remote drop |
| Number Of Distributed Equipment | 64 |
| Communication Module Processor Capacity | 8 AS-Interface module 3 Ethernet communication module |
| Communication Service | RIO scanner DIO scanner |
| Memory Description | Expandable flash, 4 GB data storage Integrated RAM, 10 kB system memory Integrated RAM, 12 MB program Integrated RAM, 1024 kB data |
| Application Structure | 2 auxiliary tasks 1 cyclic/periodic master task 128 event tasks 1 periodic fast task |

Disclaimer: This documentation is not intended as a substitute for and is not to be used for determining suitability or reliability of these products for specific user applications

| | |
|--------------------------------------|---|
| Cybersecurity | Achilles certified DoS prevention IPSec SNMP logging Syslog protocol support Transport layer security Audit trail Embedded firewall Firmware signature Password protection Port hardening Secure communication (HTTPS) Security log |
| Number Of Instructions Per Ms | 15 Kinst/ms 65 % Boolean + 35 % fixed arithmetic 20 Kinst/ms 100 % Boolean |
| Current Consumption | 295 mA 24 V DC |
| Mtbf Reliability | 775000 H |
| Marking | CE |

Environment

| | |
|--|---|
| Vibration Resistance | 3 gn |
| Shock Resistance | 30 gn |
| Ambient Air Temperature For Operation | 32...140 °F (0...60 °C) |
| Ambient Air Temperature For Storage | -40...185 °F (-40...85 °C) |
| Operating Altitude | 0...2000 m 2000...5000 m with derating factor |
| Relative Humidity | 5...95 % 131 °F (55 °C) without condensation |
| Ip Degree Of Protection | IP20 |
| Directives | 2014/35/EU - low voltage directive 2014/30/EU - electromagnetic compatibility |
| Product Certifications | CE UL CSA RCM EAC Merchant Navy |
| Standards | IEC 61131-2 IEC 61010-2-201 UL 61010-2-201 CSA C22.2 No 61010-2-201 IACS E10 EN/IEC 61000-6-5, interface type 1 and type 2 EN/IEC 61850-3, location G |
| Environmental Characteristic | Hazardous location class I division 2 |
| Supply | Internal power supply via rack |
| Status Led | 1 LED (green) processor running (RUN) 1 LED (red) processor or system fault (ERR) 1 LED (red) I/O module fault (I/O) 1 LED (green) download in progress (DL) 1 LED (red) memory card or CPU flash fault (BACKUP) 1 LED (green/red) ETH MS (Ethernet port configuration status) 1 LED (green/red) Eth NS (Ethernet network status) |
| Net Weight | 1.87 lb(US) (0.849 kg) |

Packing Units

| | |
|-------------------------------------|-----|
| Unit Type Of Package 1 | PCE |
| Number Of Units In Package 1 | 1 |

| | |
|-------------------------------------|-------------------------|
| Package 1 Height | 3.35 in (8.500 cm) |
| Package 1 Width | 7.09 in (18.000 cm) |
| Package 1 Length | 9.84 in (25.000 cm) |
| Package 1 Weight | 30.86 oz (875.000 g) |
| Unit Type Of Package 2 | S03 |
| Number Of Units In Package 2 | 6 |
| Package 2 Height | 11.81 in (30.000 cm) |
| Package 2 Width | 11.81 in (30.000 cm) |
| Package 2 Length | 15.75 in (40.000 cm) |
| Package 2 Weight | 12.43 lb(US) (5.640 kg) |

Sustainability

Green Premium™ label is Schneider Electric's commitment to delivering products with best-in-class environmental performance. Green Premium promises compliance with the latest regulations, transparency on environmental impacts, as well as circular and low-CO₂ products.

Guide to assessing product sustainability is a white paper that clarifies global eco-label standards and how to interpret environmental declarations.

[Learn more about Green Premium >](#)

[Guide to assess a product's sustainability >](#)



Transparency RoHS/REACH

Well-being performance

Mercury Free

Rohs Exemption Information Yes

Certifications & Standards

Reach Regulation [REACH Declaration](#)

Eu Rohs Directive Pro-active compliance (Product out of EU RoHS legal scope)

China Rohs Regulation [China RoHS declaration](#)

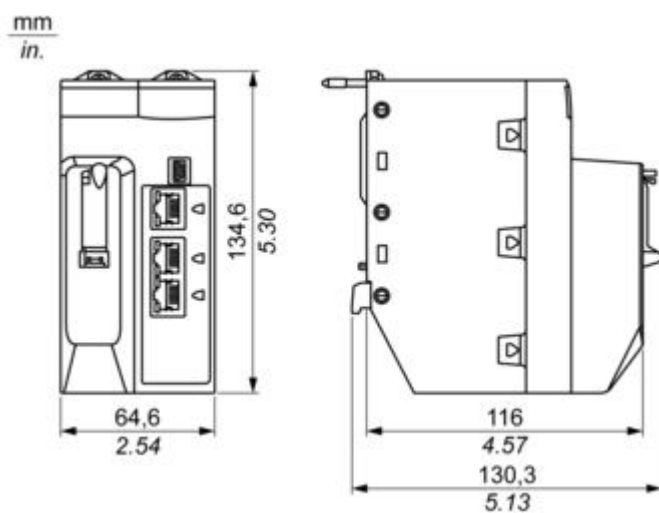
Environmental Disclosure [Product Environmental Profile](#)

Weee The product must be disposed on European Union markets following specific waste collection and never end up in rubbish bins

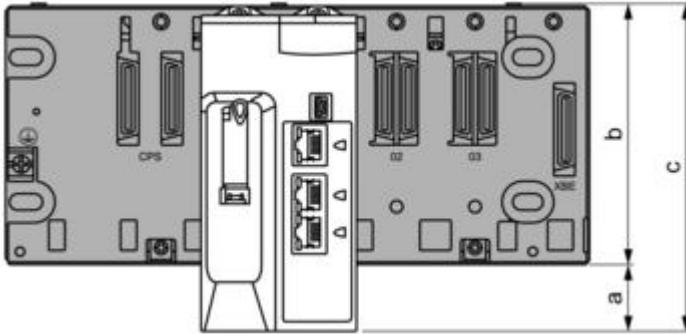
Circularity Profile [End of Life Information](#)

Dimensions Drawings

CPU Module Only

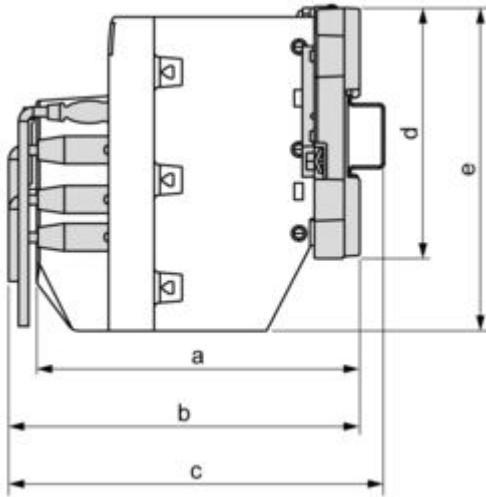


Modules Mounted on Racks



- a: additional space below the rack to accommodate the height of the CPU. For an X Bus rack, the value is 30.9 mm (1.217 in.); for an Ethernet rack, the value is 29.49 mm (1.161 in.).
- b: the height of the rack. For an X Bus rack, the height is 103.7 mm (4.083 in.); for an Ethernet rack, the height is 105.11 mm (4.138 in.).
- c: the height of the main local rack, 134.6 mm (5.299 in.)

Modules and Cables Mounted in an Enclosure



a: enclosure depth: 135 mm (5.315 in.)

b: wiring + module depth: > 146 mm (5.748 in.)

c: wiring + module + DIN rail depth: > 156 mm (6.142 in.)

d: rack height: for an X Bus rack 103.7 mm (4.083 in.); for an Ethernet rack, 105.11 mm (4.138 in.)

e: module height: 134.6 mm (5.299 in.)