

# Product data sheet

Specifications



processor, Modicon M340, max  
1024 discrete, 256 analog IO,  
CANopen, Ethernet

BMXP3420302

## Main

Range Of Product	Modicon M340 automation platform
Product Or Component Type	Processor module
Concept	CANopen Transparent Ready
Number Of Racks	4
Number Of Slots	11
Discrete I/O Processor Capacity	1024 I/O multi-rack configuration 704 I/O single-rack configuration
Analogue I/O Processor Capacity	256 I/O multi-rack configuration 66 I/O single-rack configuration
Number Of Application Specific Channel	36

## Complementary

Control Channels	Programmable loops
Motion Control	Independent axis CANopen
Integrated Connection Type	USB port 12 Mbit/s CANopen master bus SUB-D 9 2 twisted shielded pairs 20 kbit/s...1 Mbit/s Ethernet TCP/IP RJ45 1 twisted pair 10/100 Mbit/s
Communication Module Processor Capacity	2 Ethernet communication module 4 AS-Interface module
Embedded Communication Service	Network management (NMT) CANopen Process Data Object (PDO) CANopen Service Data Object (SDO) CANopen Special functions (SYNC, EMCY, TIME) CANopen Bandwidth management, Ethernet TCP/IP Data Editor, Ethernet TCP/IP Modbus TCP messaging, Ethernet TCP/IP Rack Viewer, Ethernet TCP/IP SNMP network administrator, Ethernet TCP/IP
Port Ethernet	10BASE-T/100BASE-TX
Transmission Rate	1 Mbit/s 0.00...65.62 ft (0...20 m) 0.00...1.97 ft (0...0.6 m) 125 kbit/s 0.00...1640.42 ft (0...500 m) 0.00...32.81 ft (0...10 m) 20 kbit/s 0.00...8202.10 ft (0...2500 m) 0.00...984.25 ft (0...300 m) 250 kbit/s 0.00...820.21 ft (0...250 m) 0.00...32.81 ft (0...10 m) 50 kbit/s 0.00...3280.84 ft (0...1000 m) 0.00...393.70 ft (0...120 m) 500 kbit/s 0.00...328.08 ft (0...100 m) 0.00...32.81 ft (0...10 m) 800 kbit/s 0.00...131.23 ft (0...40 m) 0.00...19.69 ft (0...6 m)
Bus Type	CANopen M20 DS 301 V4.02 devices linked by daisy-chaining or tap junctions CSMA/CA CANopen M20 DS 303-2 devices linked by daisy-chaining or tap junctions CSMA/CA CANopen M20 DS 405 devices linked by daisy-chaining or tap junctions CSMA/CA
Number Of Server Device(S)	63 CANopen

<b>Number Of Devices Per Segment</b>	0...16 672.57 ft (205 m) CANopen 0...32 606.96 ft (185 m) CANopen 0...64 524.93 ft (160 m) CANopen
<b>Memory Description</b>	Supplied memory card (BMXRMS008MP) backup of programs, constants, symbols and data Internal RAM 4096 kB Internal RAM 256 kB data Internal RAM 3584 kB program constants and symbols Supplied memory card (BMXRMS008MP) activation of standard web server, class B10
<b>Maximum Size Of Object Areas</b>	256 kB unlocated internal data 32634 %Mi located internal bits
<b>Default Size Of Object Areas</b>	1024 %MWi internal words located internal data 256 %KWi constant words located internal data 512 %Mi located internal bits
<b>Application Structure</b>	1 cyclic/periodic master task 1 periodic fast task No auxiliary task 64 event tasks
<b>Execution Time Per Instruction</b>	0.12 µs Boolean 0.17 µs double-length words 0.25 µs single-length words 1.16 µs floating points
<b>Number Of Instructions Per Ms</b>	6.4 Kinst/ms 65 % Boolean + 35 % fixed arithmetic 8.1 Kinst/ms 100 % Boolean
<b>System Overhead</b>	0.13 ms fast task 0.7 ms master task
<b>Current Consumption</b>	135 mA 24 V DC
<b>Supply</b>	Internal power supply via rack
<b>Marking</b>	CE
<b>Status Led</b>	1 LED (green) activity on Ethernet network (ETH ACT) 1 LED (green) integrated machine/installation bus operational (CAN RUN) 1 LED (green) processor running (RUN) 1 LED (green) status of Ethernet network (ETH STS) 1 LED (red) data rate (ETH 100) 1 LED (red) I/O module fault (I/O) 1 LED (red) integrated machine/installation bus fault (CAN ERR) 1 LED (red) memory card fault (CARD ERR) 1 LED (red) processor or system fault (ERR) 1 LED (yellow) activity on Modbus (SER COM)
<b>Net Weight</b>	0.47 lb(US) (0.215 kg)

## Environment

<b>Ambient Air Temperature For Operation</b>	32...140 °F (0...60 °C)
<b>Relative Humidity</b>	10...95 % without condensation
<b>Ip Degree Of Protection</b>	IP20
<b>Protective Treatment</b>	TC
<b>Directives</b>	2014/35/EU - low voltage directive 2014/30/EU - electromagnetic compatibility
<b>Product Certifications</b>	CE UL CSA RCM EAC Merchant Navy

<b>Standards</b>	EN 61131-2 EN/IEC 61010-2-201 UL 61010-2-201 CSA C22.2 No 61010-2-201 IACS E10 EN/IEC 61000-6-5, interface type 1 and type 2 EN/IEC 61850-3, location G
<b>Environmental Characteristic</b>	Hazardous location class I division 2

## Packing Units

<b>Unit Type Of Package 1</b>	PCE
<b>Number Of Units In Package 1</b>	1
<b>Package 1 Height</b>	2.17 in (5.500 cm)
<b>Package 1 Width</b>	4.33 in (11.000 cm)
<b>Package 1 Length</b>	4.61 in (11.700 cm)
<b>Package 1 Weight</b>	8.85 oz (251.000 g)
<b>Unit Type Of Package 2</b>	S02
<b>Number Of Units In Package 2</b>	15
<b>Package 2 Height</b>	5.91 in (15.000 cm)
<b>Package 2 Width</b>	11.81 in (30.000 cm)
<b>Package 2 Length</b>	15.75 in (40.000 cm)
<b>Package 2 Weight</b>	9.06 lb(US) (4.109 kg)

## Contractual warranty

<b>Warranty</b>	18 months
-----------------	-----------

## Sustainability

**Green Premium™ label** is Schneider Electric's commitment to delivering products with best-in-class environmental performance. Green Premium promises compliance with the latest regulations, transparency on environmental impacts, as well as circular and low-CO<sub>2</sub> products.

**Guide to assessing product sustainability** is a white paper that clarifies global eco-label standards and how to interpret environmental declarations.

[Learn more about Green Premium >](#)

[Guide to assess a product's sustainability >](#)



Transparency RoHS/REACH

## Well-being performance

Mercury Free

RoHS Exemption Information Yes

## Certifications & Standards

Reach Regulation [REACH Declaration](#)

Eu RoHS Directive Pro-active compliance (Product out of EU RoHS legal scope)

China RoHS Regulation [China RoHS declaration](#)

Environmental Disclosure [Product Environmental Profile](#)

Weee The product must be disposed on European Union markets following specific waste collection and never end up in rubbish bins

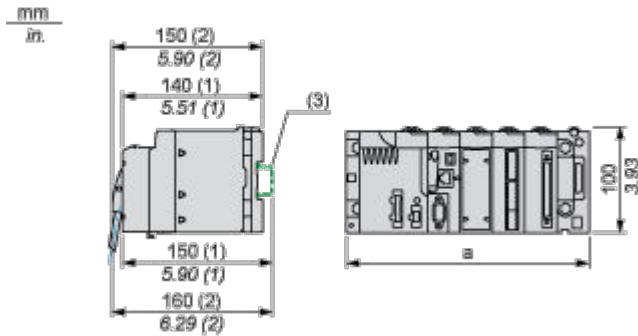
Circularity Profile [End of Life Information](#)

Dimensions Drawings

Modules Mounted on Racks

---

Dimensions



- (1) With removable terminal block (cage, screw or spring).
- (2) With FCN connector.
- (3) On AM1 ED rail: 35 mm wide, 15 mm deep. Only possible with BMXXBP0400/0400H/0600/0600H/0800/0800H rack.

Rack references	a in mm	a in in.
BMXXBP0400 and BMXXBP0400H	242.4	09.54
BMXXBP0600 and BMXXBP0600H	307.6	12.11
BMXXBP0800 and BMXXBP0800H	372.8	14.68
BMXXBP1200 and BMXXBP1200H	503.2	19.81