

Product data sheet

Specifications



analog non isolated high level output module, Modicon X80, 8 outputs, 0 to 20mA, 4 to 20mA

BMXAMO0802

Main

| | |
|----------------------------|----------------------|
| Range Of Product | Modicon X80 |
| Product Or Component Type | Analog output module |
| Electrical Connection | 20 ways 1 connector |
| Isolation Between Channels | Non isolated |

Complementary

| | |
|-------------------------------|---|
| Analogue Input Resolution | 16 bits |
| Measurement Error | $\leq 0.25\%$ of full scale 0...60 °C 0.1% of full scale 25 °C |
| Temperature Drift | 45 ppm/°C 0...20 mA 45 ppm/°C 4...20 mA |
| Minimum Crosstalk Attenuation | 80 dB |
| Common Mode Rejection | 80 dB |
| Isolation Voltage | 1400 V DC between channels and ground 1400 V DC between channels and bus |
| Detection Type | Open circuit 4...20 mA Short circuit 0...20 mA |
| Load Impedance Ohmic | $\leq 350\ \Omega$ 0...20 mA $\leq 350\ \Omega$ 4...20 mA |
| Output Level | High level |
| Analogue Output Number | 8 |
| Analogue Output Type | Current 0...20 mA Current 4...20 mA |
| Analogue Output Resolution | 16 bits |
| Supply | Internal power supply via rack |
| Conversion Time | $\leq 4\ \text{ms}$ |
| Maximum Conversion Value | 0...21 mA 0...20 mA 0...21 mA 4...20 mA |
| Fallback Mode | Configurable Predefined |
| Mtbf Reliability | 1500000 H |
| Operating Altitude | 0...2000 m 2000...5000 m with derating factor |
| Status Led | 1 LED (green) RUN 1 LED per channel (green) channel diagnostic 1 LED (red) ERR 1 LED (red) I/O |

Disclaimer: This documentation is not intended as a substitute for and is not to be used for determining suitability or reliability of these products for specific user applications

| | |
|-------------------------------|--|
| Net Weight | 0.33 lb(US) (0.15 kg) |
| Power Consumption In W | 3.6 W 24 V DC typical 3.9 W 24 V DC maximum 0.35 W 3.3 V DC typical 0.48 W 3.3 V DC maximum |
| Current Consumption | 150 mA 3.3 V DC 135 mA 24 V DC |

Environment

| | |
|--|--|
| Vibration Resistance | 3 gn |
| Shock Resistance | 30 gn |
| Ambient Air Temperature For Storage | -40...185 °F (-40...85 °C) |
| Ambient Air Temperature For Operation | 32...140 °F (0...60 °C) |
| Relative Humidity | 5...95 % 131 °F (55 °C) without condensation |
| Ip Degree Of Protection | IP20 |
| Directives | 2014/35/EU - low voltage directive 2014/30/EU - electromagnetic compatibility |
| Product Certifications | CE RCM CSA EAC Merchant Navy UL |
| Standards | EN/IEC 61010-2-201 EN/IEC 61131-2 UL 61010-2-201 CSA C22.2 No 61010-2-201 |

Packing Units

| | |
|-------------------------------------|------------------------|
| Unit Type Of Package 1 | PCE |
| Number Of Units In Package 1 | 1 |
| Package 1 Height | 2.09 in (5.300 cm) |
| Package 1 Width | 4.33 in (11.000 cm) |
| Package 1 Length | 4.57 in (11.600 cm) |
| Package 1 Weight | 5.96 oz (169.000 g) |
| Unit Type Of Package 2 | S02 |
| Number Of Units In Package 2 | 15 |
| Package 2 Height | 5.91 in (15.000 cm) |
| Package 2 Width | 11.81 in (30.000 cm) |
| Package 2 Length | 15.75 in (40.000 cm) |
| Package 2 Weight | 5.84 lb(US) (2.650 kg) |

Contractual warranty

| | |
|-----------------|-----------|
| Warranty | 18 months |
|-----------------|-----------|

Sustainability


Green Premium™ label is Schneider Electric's commitment to delivering products with best-in-class environmental performance. Green Premium promises compliance with the latest regulations, transparency on environmental impacts, as well as circular and low-CO₂ products.


Guide to assessing product sustainability is a white paper that clarifies global eco-label standards and how to interpret environmental declarations.

[Learn more about Green Premium >](#)

[Guide to assess a product's sustainability >](#)

Well-being performance

 Mercury Free

 Rohs Exemption Information [Yes](#)

Reach Regulation [REACH Declaration](#)

Eu Rohs Directive Pro-active compliance (Product out of EU RoHS legal scope)

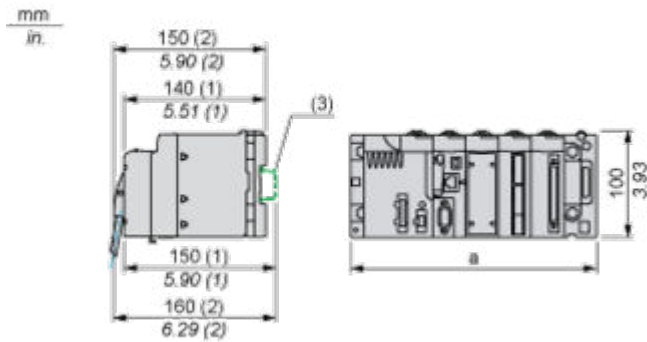
China Rohs Regulation [China RoHS declaration](#)

Weee The product must be disposed on European Union markets following specific waste collection and never end up in rubbish bins

Dimensions Drawings

Modules Mounted on Racks

Dimensions



(1) With removable terminal block (cage, screw or spring).

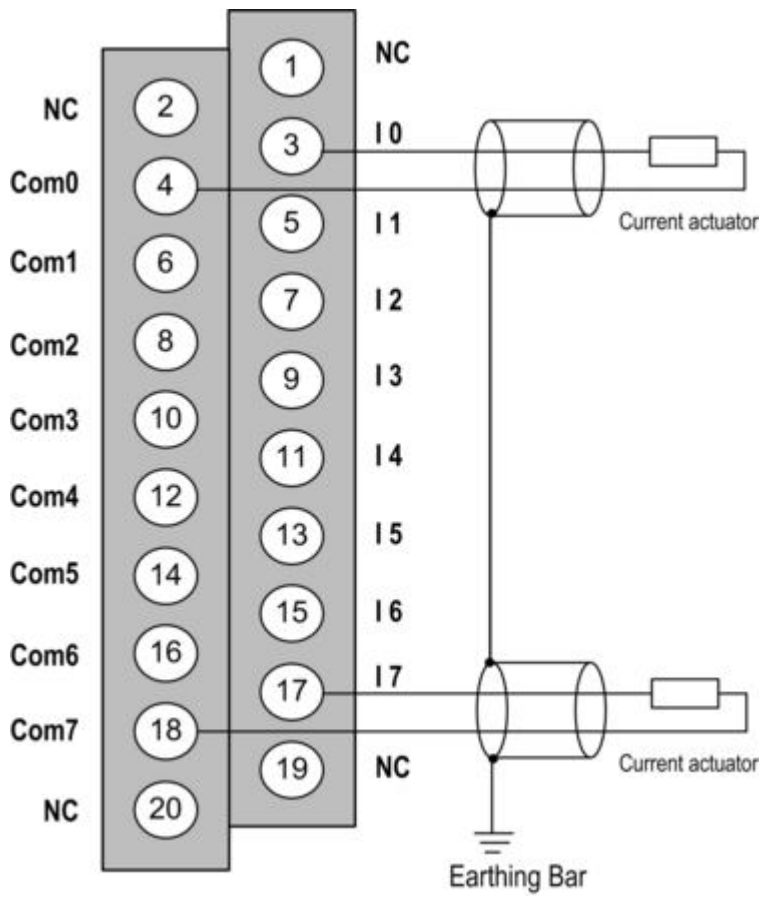
(2) With FCN connector.

(3) On AM1 ED rail: 35 mm wide, 15 mm deep. Only possible with BMXXBP0400/0400H/0600/0600H/0800/0800H rack.

| Rack references | a in mm | a in in. |
|----------------------------|---------|----------|
| BMXXBP0400 and BMXXBP0400H | 242.4 | 09.54 |
| BMXXBP0600 and BMXXBP0600H | 307.6 | 12.11 |
| BMXXBP0800 and BMXXBP0800H | 372.8 | 14.68 |
| BMXXBP1200 and BMXXBP1200H | 503.2 | 19.81 |

Connections and Schema

Wiring Diagram



Ix + pole input for channel x.

COMx - pole input for channel x, COMx are connected together internally.

The current loop is self-powered by the output and does not request any external supply.