

# Product data sheet

Specifications



## power supply module, Modicon X80, 100 to 240V AC, 20W

BMXCPS2000

### Main

Range Of Product	Modicon X80
Product Or Component Type	Power supply module
Backplane Compatibility	Not compatible with BMEXBP..02
Primary Voltage	100...240 V
Supply Circuit Type	AC
Secondary Power	10.8 W 24 V DC sensor power supply 16.8 W 24 V DC I/O module power supply and processor 8.3 W 3.3 V DC I/O module logic power supply

### Complementary

Primary Voltage Limit	85...264 V
Network Frequency	50/60 Hz
Network Frequency Limits	47...63 Hz
Apparent Power	0.07 kVA
Input Current	0.31 A 240 V 0.61 A 115 V
Inrush Current	30 A 120 V 60 A 240 V
I <sup>2</sup> T On Activation	12 A <sup>2</sup> .s 240 V
It On Activation	0.06 A.s 240 V 0.03 A.s 120 V
Mtbf Reliability	4638000 H
Protection Type	Internal fuse not accessible primary circuit Overload protection secondary circuit Overvoltage protection secondary circuit Short-circuit protection secondary circuit
Current At Secondary Voltage	0.45 A 24 V DC sensor power supply 0.7 A 24 V DC I/O module power supply and processor 2.5 A 3.3 V DC I/O module logic power supply
Maximum Power Dissipation In W	8.5 W
Status Led	1 LED (green) rack voltage OK 1 LED (green) sensor voltage
Control Type	RESET push-button cold restart
Electrical Connection	1 connector 2 alarm relay 1 connector 5 line supply, protective earth, 24 V DC input sensor
Insulation Resistance	>= 100 MOhm primary/ground >= 100 MOhm primary/secondary
Net Weight	0.66 lb(US) (0.3 kg)

## Environment

Immunity To Microbreaks	1 ms
Dielectric Strength	1500 V primary/secondary I/O module logic power supply 1500 V primary/secondary I/O module power supply and processor 2300 V primary/secondary sensor power supply 1500 V primary/ground 500 V 24 V sensor output/ground
Vibration Resistance	3 gn
Shock Resistance	30 gn
Ip Degree Of Protection	IP20
Directives	2014/35/EU - low voltage directive 2014/30/EU - electromagnetic compatibility
Ambient Air Temperature For Storage	-40...185 °F (-40...85 °C)
Ambient Air Temperature For Operation	32...140 °F (0...60 °C)
Relative Humidity	5...95 % 131 °F (55 °C) without condensation
Protective Treatment	TC
Operating Altitude	0...2000 m 2000...5000 m with derating factor

## Packing Units

Unit Type Of Package 1	PCE
Number Of Units In Package 1	1
Package 1 Height	5.27 in (13.386 cm)
Package 1 Width	6.00 in (15.245 cm)
Package 1 Length	6.07 in (15.424 cm)
Package 1 Weight	15.48 oz (438.8 g)
Unit Type Of Package 2	S04
Number Of Units In Package 2	12
Package 2 Height	11.81 in (30 cm)
Package 2 Width	15.75 in (40 cm)
Package 2 Length	23.62 in (60 cm)
Package 2 Weight	14.33 lb(US) (6.5 kg)
Unit Type Of Package 3	P06
Number Of Units In Package 3	48
Package 3 Height	29.53 in (75 cm)
Package 3 Width	23.62 in (60 cm)
Package 3 Length	31.50 in (80 cm)
Package 3 Weight	83.78 lb(US) (38 kg)

## Contractual warranty

Warranty	18 months
----------	-----------

## Sustainability


**Green Premium™ label** is Schneider Electric's commitment to delivering products with best-in-class environmental performance. Green Premium promises compliance with the latest regulations, transparency on environmental impacts, as well as circular and low-CO<sub>2</sub> products.


**Guide to assessing product sustainability** is a white paper that clarifies global eco-label standards and how to interpret environmental declarations.

[Learn more about Green Premium >](#)

[Guide to assess a product's sustainability >](#)

## Well-being performance

 Mercury Free

 Rohs Exemption Information [Yes](#)

**Reach Regulation** [REACH Declaration](#)

**Eu Rohs Directive** Pro-active compliance (Product out of EU RoHS legal scope)

**China Rohs Regulation** [China RoHS declaration](#)

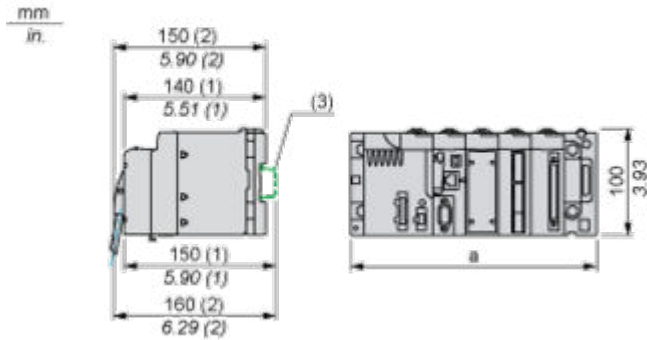
**Weee** The product must be disposed on European Union markets following specific waste collection and never end up in rubbish bins

Dimensions Drawings

Modules Mounted on Racks

---

Dimensions



(1) With removable terminal block (cage, screw or spring).

(2) With FCN connector.

(3) On AM1 ED rail: 35 mm wide, 15 mm deep. Only possible with BMXXBP0400/0400H/0600/0600H/0800/0800H rack.

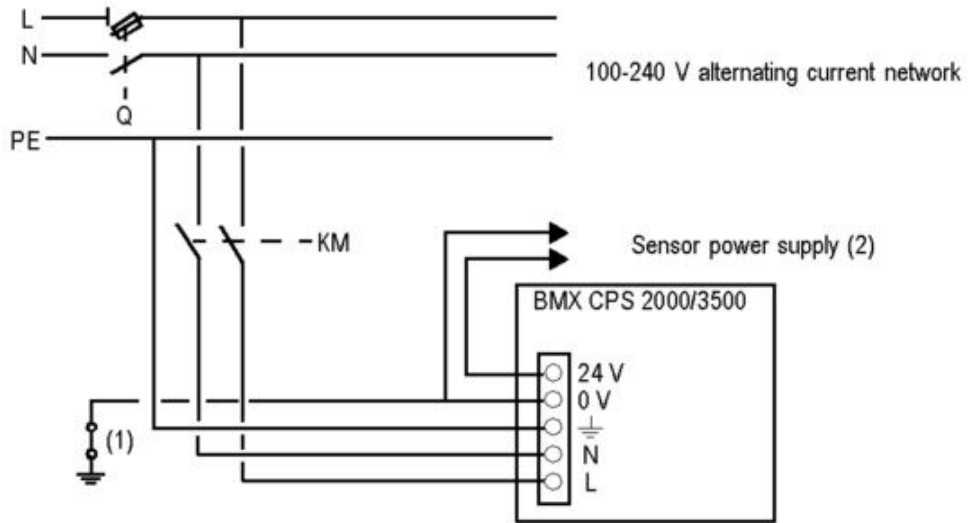
Rack references	a in mm	a in in.
BMXXBP0400 and BMXXBP0400H	242.4	09.54
BMXXBP0600 and BMXXBP0600H	307.6	12.11
BMXXBP0800 and BMXXBP0800H	372.8	14.68
BMXXBP1200 and BMXXBP1200H	503.2	19.81

Connections and Schema

Connection of Alternating Current Power Supply Modules

---

Connection of a PLC Station Constituted of a Single Rack



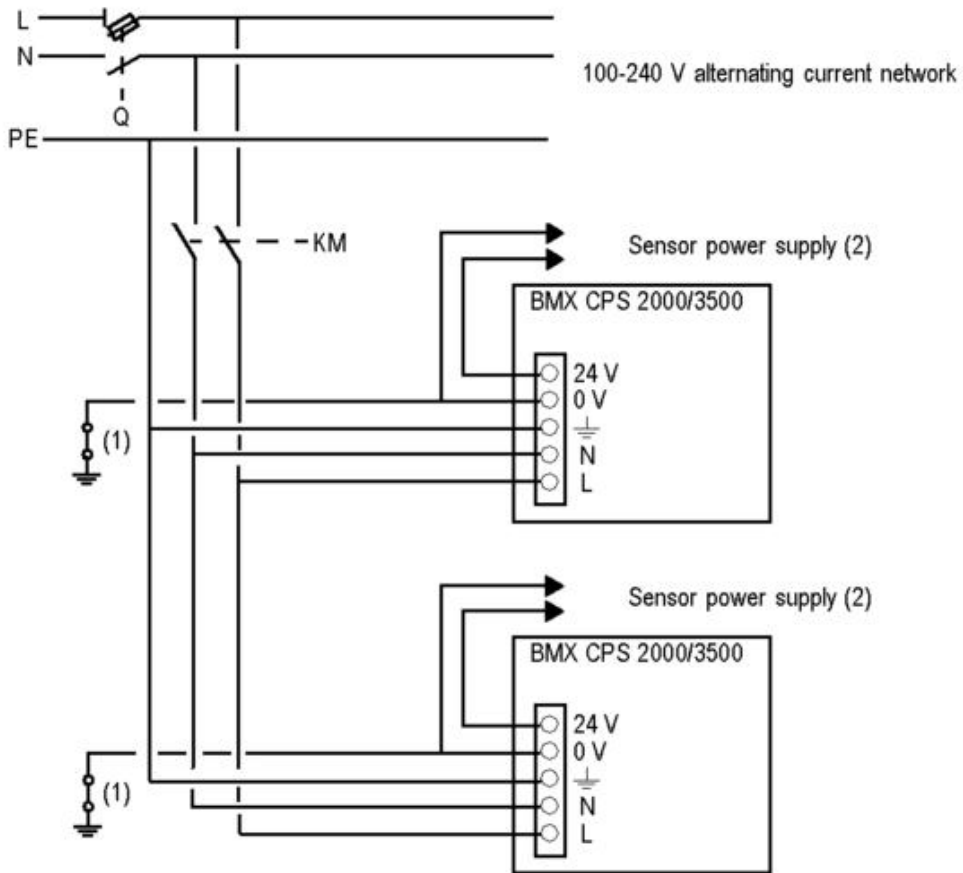
**Q** General isolator

**KM** Line contactor or circuit breaker

(1) Insulation connector bar for locating grounding errors

(2) Available current of 0.45 A for the BMXCPS2000 module or 0.9 A for the BMXCPS3500 module

Connection of a PLC Station Constituted of Several Racks



**Q** General isolator

**KM** Line contactor or circuit breaker

(1) Insulation connector bar for locating grounding errors

(2) Available current of 0.45 A for the BMXCPS2000 module or 0.9 A for the BMXCPS3500 module