

Product data sheet

Specifications



remote IO drop E/IP, Modicon X80, standard

BMXCRA31200

Main

Range Of Product	Modicon X80
Range Compatibility	Modicon M580 Modicon Quantum
Product Or Component Type	I/O expansion module
Device Application	X80 Ethernet RIO drop adaptor
Product Specific Application	For remote I/O modules

Complementary

Bus Type	Bus X across the remote backplane
Number Of Port	2
Integrated Connection Type	2 port Ethernet RIO Network (RSTP)
Communication Network Type	IPv4 (internet protocol)
Communication Port Protocol	EtherNet/IP
Communication Service	Ethernet/IP adapter RSTP (Ring topology support) Ethernet RIO network Quality of Service (QoS) CIP Explicit messaging (server) Modbus TCP server for module diagnostics DHCP client TFTP client FTP client FDR client SNTP client SNMP agent
Cybersecurity	Syslog protocol support
Connector Type	2 RJ45
Exchange Mode	Half duplex, full duplex, autonegotiation, auto MDIX
Transmission Rate	10/100 Mbit/s
Port Ethernet	10/100BASE-TX
Function Available	CCOTF (configuration change on the fly) Input data is collected and published to the remote I/O head adaptor Output modules are updated with the data received from remote I/O head adaptor Diagnostics for remote I/O devices (Device DDT) I/O extension rack
Data Recording	10 ms time stamps
Topology	Ring

Disclaimer: This documentation is not intended as a substitute for and is not to be used for determining suitability or reliability of these products for specific user applications

Local Signalling	Module active (RUN) 1 LED green) Module error (ERR) 1 LED red) Module status (Mod Status) 1 LED green/red) Network communication status (Net Status) 1 LED green/red) Ethernet link diagnostics (STS) 1 LED green)
Current Consumption	1200 mA
Input Voltage	3.3 V DC
Product Compatibility	0...128 discrete channel 0...16 analog channel
Module Format	Standard
Net Weight	0.50 lb(US) (0.225 kg)
Maximum Altitude Transport	9842.52 ft (3000 m)
Relative Humidity	95 % without condensation
Fixing Mode	By screws
Mounting Mode	Rack-mounted
Width	1.26 in (32 mm)
Height	3.94 in (100 mm)
Depth	3.44 in (87.5 mm)

Environment

Directives	2014/35/EU - low voltage directive 2014/30/EU - electromagnetic compatibility
Product Certifications	CE UL CSA RCM EAC Merchant Navy
Standards	EN/IEC 61131-2 EN/IEC 61010-2-201 UL 61010-2-201 CSA C22.2 No 61010-2-201 IACS E10 EN/IEC 61000-6-5, interface type 1 and type 2 EN/IEC 61850-3, location G
Environmental Characteristic	Standard environment
Ip Degree Of Protection	IP20
Ambient Air Temperature For Operation	32...140 °F (0...60 °C)
Ambient Air Temperature For Storage	-40...185 °F (-40...85 °C)
Operating Altitude	<= 2000 m

Packing Units

Unit Type Of Package 1	PCE
Number Of Units In Package 1	1
Package 1 Height	2.28 in (5.800 cm)
Package 1 Width	4.41 in (11.200 cm)
Package 1 Length	4.80 in (12.200 cm)
Package 1 Weight	8.15 oz (231.000 g)
Unit Type Of Package 2	S02

Number Of Units In Package 2	15
Package 2 Height	5.91 in (15.000 cm)
Package 2 Width	11.81 in (30.000 cm)
Package 2 Length	15.75 in (40.000 cm)
Package 2 Weight	8.39 lb(US) (3.805 kg)

Contractual warranty

Warranty	18 months
-----------------	-----------

Sustainability

Green Premium™ label is Schneider Electric's commitment to delivering products with best-in-class environmental performance. Green Premium promises compliance with the latest regulations, transparency on environmental impacts, as well as circular and low-CO₂ products.

Guide to assessing product sustainability is a white paper that clarifies global eco-label standards and how to interpret environmental declarations.

[Learn more about Green Premium >](#)

[Guide to assess a product's sustainability >](#)



Transparency RoHS/REACH

Well-being performance

Mercury Free

Rohs Exemption Information Yes

Certifications & Standards

Reach Regulation [REACH Declaration](#)

Eu Rohs Directive Pro-active compliance (Product out of EU RoHS legal scope)

China Rohs Regulation [China RoHS declaration](#)

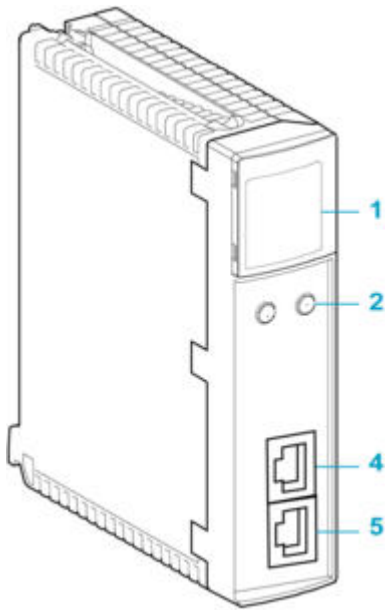
Environmental Disclosure [Product Environmental Profile](#)

Weee The product must be disposed on European Union markets following specific waste collection and never end up in rubbish bins

Circularity Profile [End of Life Information](#)

Presentation

Presentation

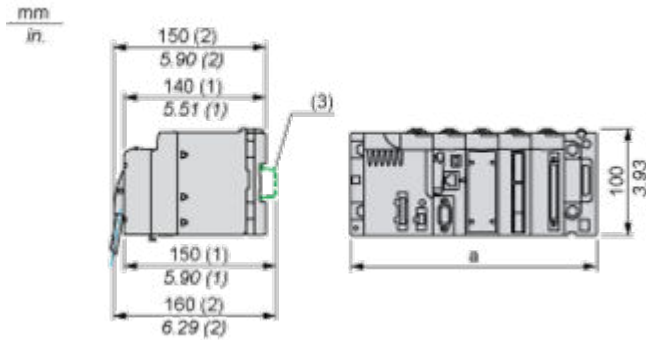


- 1 : LED display
- 2 : rotary switches
- 4 : DEVICE NETWORK port (ETH 2)
- 5 : DEVICE NETWORK port (ETH 3)

Dimensions Drawings

Modules Mounted on Racks

Dimensions



(1) With removable terminal block (cage, screw or spring).

(2) With FCN connector.

(3) On AM1 ED rail: 35 mm wide, 15 mm deep. Only possible with BMXXBP0400/0400H/0600/0600H/0800/0800H rack.

Rack references	a in mm	a in in.
BMXXBP0400 and BMXXBP0400H	242.4	09.54
BMXXBP0600 and BMXXBP0600H	307.6	12.11
BMXXBP0800 and BMXXBP0800H	372.8	14.68
BMXXBP1200 and BMXXBP1200H	503.2	19.81