

# Product data sheet

Specifications



discrete output module, Modicon X80, 16 transistor outputs, 24V DC positive, for severe environments

BMXDDO1602H

## Main

Range Of Product	Modicon X80
Product Or Component Type	Discrete output module
Product Specific Application	For severe environments
Discrete Output Number	16 EN/IEC 61131-2
Discrete Output Type	Solid state
Discrete Output Logic	Positive
Discrete Output Voltage	24 V 19...30 V DC
Discrete Output Current	0.5 A

## Complementary

Current Per Channel	0.625 A
Maximum Current Per Module	10 A
Maximum Leakage Current	0.5 mA at state 0
Maximum Voltage Drop	<1.2 V at state 1
Insulation Resistance	> 10 MOhm 500 V DC
Power Dissipation In W	4 W
Response Time On Output	1.2 ms
Paralleling Of Outputs	Yes : 2 maximum
Typical Current Consumption	79 mA 3.3 V DC
Mtbf Reliability	410000 H
Protection Type	External fuse reverse polarity protection short-circuit protection overload protection overvoltage protection
Output Overload Protection	With electronic circuit breaker $1.5 I_n < I_d < 2 I_n$ With current limiter
Output Overvoltage Protection	With transil diode
Output Short-Circuit Protection	With 2 A external fuse
Reverse Polarity Protection	Reverse mounted diode
Voltage Detection Threshold	< 14 V DC preactuator fault > 18 V DC preactuator at state 0
Maximum Tungsten Load	6 W
Switching Frequency	0.5/LI <sup>2</sup> Hz
Load Impedance Ohmic	> 48 Ohm

<b>Status Led</b>	1 LED (green) module operating (RUN) 1 LED per channel (green) channel diagnostic 1 LED (red) module error (ERR) 1 LED (red) module I/O
<b>Net Weight</b>	0.26 lb(US) (0.12 kg)

## Environment

<b>Ip Degree Of Protection</b>	IP20
<b>Directives</b>	2014/35/EU - low voltage directive 2014/30/EU - electromagnetic compatibility
<b>Environmental Characteristic</b>	Gas resistant class Gx Gas resistant class 3C4 Dust resistant class 3S4 Sand resistant class 3S4 Salt resistant level 2 Mold growth resistant class 3B2 Fungal spore resistant class 3B2
<b>Dielectric Strength</b>	1500 V AC 50/60 Hz 1 minute, output/ground 1500 V AC 50/60 Hz 1 minute, output/internal logic
<b>Vibration Resistance</b>	3 gn
<b>Shock Resistance</b>	30 gn
<b>Ambient Air Temperature For Storage</b>	-40...185 °F (-40...85 °C)
<b>Ambient Air Temperature For Operation</b>	-13...158 °F (-25...70 °C)
<b>Relative Humidity</b>	5...95 % 131 °F (55 °C) without condensation
<b>Protective Treatment</b>	Conformal coating
<b>Operating Altitude</b>	0...2000 m 2000...5000 m with derating factor

## Packing Units

<b>Unit Type Of Package 1</b>	PCE
<b>Number Of Units In Package 1</b>	1
<b>Package 1 Height</b>	2.17 in (5.5 cm)
<b>Package 1 Width</b>	4.33 in (11.0 cm)
<b>Package 1 Length</b>	4.53 in (11.5 cm)
<b>Package 1 Weight</b>	6.03 oz (171.0 g)
<b>Unit Type Of Package 2</b>	S02
<b>Number Of Units In Package 2</b>	15
<b>Package 2 Height</b>	5.91 in (15 cm)
<b>Package 2 Width</b>	11.81 in (30 cm)
<b>Package 2 Length</b>	15.75 in (40 cm)
<b>Package 2 Weight</b>	6.59 lb(US) (2.991 kg)
<b>Unit Type Of Package 3</b>	P06
<b>Number Of Units In Package 3</b>	240
<b>Package 3 Height</b>	29.53 in (75.0 cm)
<b>Package 3 Width</b>	23.62 in (60.0 cm)
<b>Package 3 Length</b>	31.50 in (80.0 cm)
<b>Package 3 Weight</b>	130.07 lb(US) (59 kg)

# Contractual warranty

---

Warranty

18 months

## Sustainability


**Green Premium™ label** is Schneider Electric's commitment to delivering products with best-in-class environmental performance. Green Premium promises compliance with the latest regulations, transparency on environmental impacts, as well as circular and low-CO<sub>2</sub> products.


**Guide to assessing product sustainability** is a white paper that clarifies global eco-label standards and how to interpret environmental declarations.

[Learn more about Green Premium >](#)

[Guide to assess a product's sustainability >](#)

## Well-being performance

 Mercury Free

 Rohs Exemption Information [Yes](#)

**Reach Regulation** [REACH Declaration](#)

**Eu Rohs Directive** Pro-active compliance (Product out of EU RoHS legal scope)

**China Rohs Regulation** [China RoHS declaration](#)

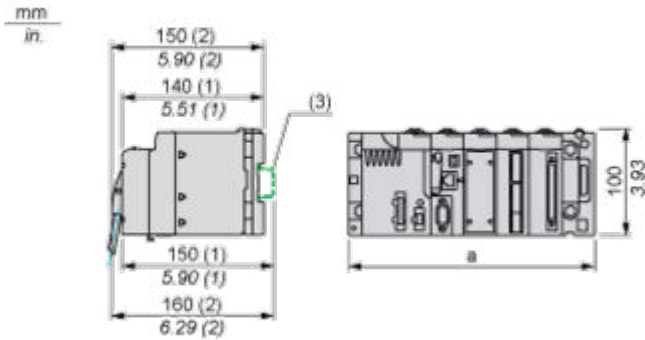
**Weee** The product must be disposed on European Union markets following specific waste collection and never end up in rubbish bins

Dimensions Drawings

Modules Mounted on Racks

---

Dimensions



(1) With removable terminal block (cage, screw or spring).

(2) With FCN connector.

(3) On AM1 ED rail: 35 mm wide, 15 mm deep. Only possible with BMXXBP0400/0400H/0600/0600H/0800/0800H rack.

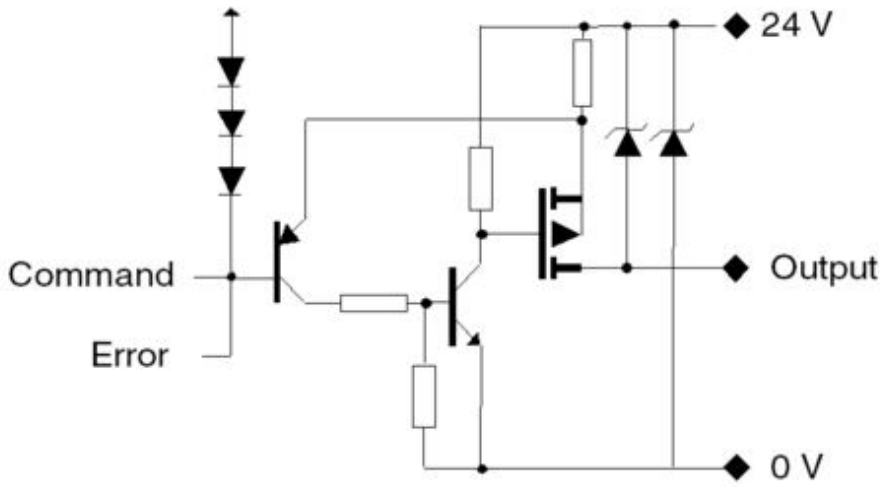
Rack references	a in mm	a in in.
BMXXBP0400 and BMXXBP0400H	242.4	09.54
BMXXBP0600 and BMXXBP0600H	307.6	12.11
BMXXBP0800 and BMXXBP0800H	372.8	14.68
BMXXBP1200 and BMXXBP1200H	503.2	19.81

Connections and Schema

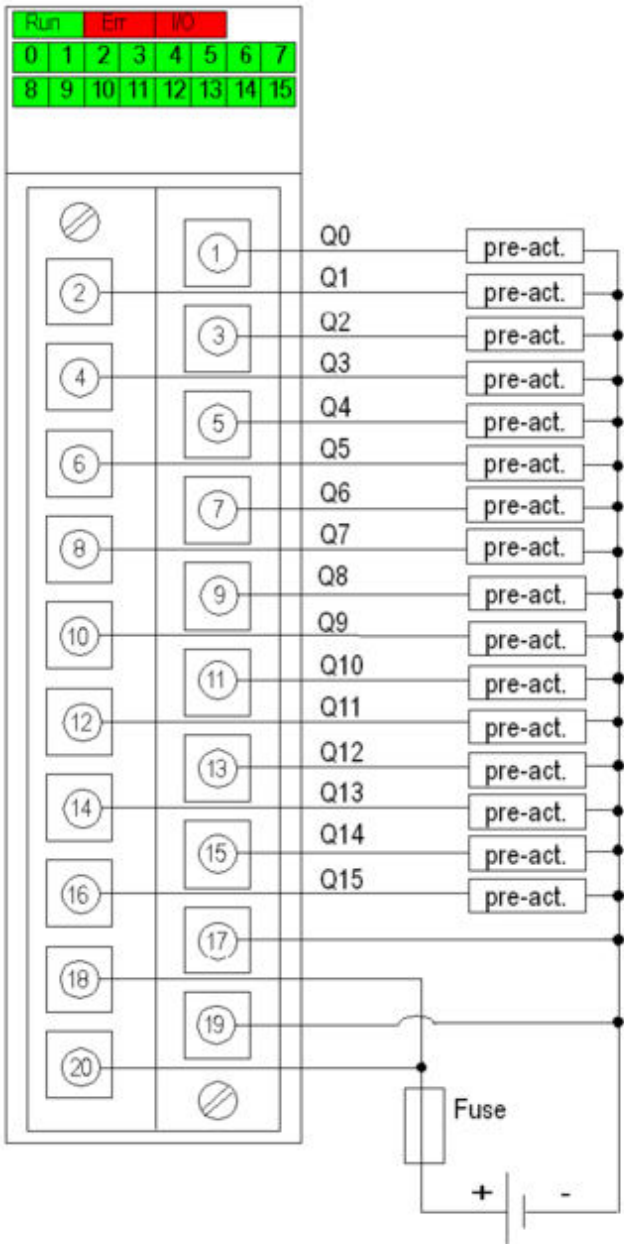
Connecting the Module

---

Output Circuit Diagram



Module Connection



power supply 24 VDC  
fuse fast blow fuse of 6.3 A  
pre-act pre-actuator