

Product data sheet

Specifications



discrete output module, Modicon X80, 32 transistor outputs, 24V DC positive

BMXDDO3202K

Main

Range Of Product	Modicon X80
Product Or Component Type	Discrete output module
Discrete Output Number	32 EN/IEC 61131-2
Discrete Output Type	Solid state
Discrete Output Logic	Positive
Discrete Output Voltage	24 V 19...30 V DC
Discrete Output Current	0.1 A

Complementary

Current Per Channel	0.125 A
Maximum Current Per Module	3.2 A
Maximum Leakage Current	0.1 mA at state 0
Maximum Voltage Drop	<1.5 V at state 1
Insulation Resistance	> 10 MOhm 500 V DC
Power Dissipation In W	3.6 W
Response Time On Output	1.2 ms
Paralleling Of Outputs	Yes : 3 maximum
Typical Current Consumption	125 mA 3.3 V DC
Mtbf Reliability	290000 H
Protection Type	External fuse reverse polarity protection short-circuit protection overload protection overvoltage protection
Output Overload Protection	With current limiter With electronic circuit breaker 0.125 A < Id < 0.185 A
Output Overvoltage Protection	With transil diode
Output Short-Circuit Protection	With 2 A external fuse
Reverse Polarity Protection	Reverse mounted diode
Voltage Detection Threshold	< 14 V DC preactuator fault > 18 V DC preactuator at state 0
Maximum Tungsten Load	1.2 W
Switching Frequency	0.5/LI ² Hz
Maximum Overload Time	15 ms
Load Impedance Ohmic	>= 220 Ohm

Status Led	1 LED (green) module operating (RUN) 1 LED per channel (green) channel diagnostic 1 LED (red) module error (ERR) 1 LED (red) module I/O
Net Weight	0.24 lb(US) (0.11 kg)

Environment

Ip Degree Of Protection	IP20
Directives	2014/35/EU - low voltage directive 2014/30/EU - electromagnetic compatibility
Dielectric Strength	1500 V AC 50/60 Hz 1 minute, output/ground 1500 V AC 50/60 Hz 1 minute, output/internal logic 500 V DC 1 minute, between group of channels
Vibration Resistance	3 gn
Shock Resistance	30 gn
Ambient Air Temperature For Storage	-40...185 °F (-40...85 °C)
Ambient Air Temperature For Operation	32...140 °F (0...60 °C)
Relative Humidity	5...95 % 131 °F (55 °C) without condensation
Operating Altitude	0...2000 m 2000...5000 m with derating factor

Packing Units

Unit Type Of Package 1	PCE
Number Of Units In Package 1	1
Package 1 Height	2.20 in (5.582 cm)
Package 1 Width	4.39 in (11.161 cm)
Package 1 Length	4.63 in (11.758 cm)
Package 1 Weight	5.33 oz (151.0 g)
Unit Type Of Package 2	S02
Number Of Units In Package 2	15
Package 2 Height	5.91 in (15 cm)
Package 2 Width	11.81 in (30 cm)
Package 2 Length	15.75 in (40 cm)
Package 2 Weight	6.42 lb(US) (2.911 kg)
Unit Type Of Package 3	P06
Number Of Units In Package 3	240
Package 3 Height	29.53 in (75.0 cm)
Package 3 Width	23.62 in (60.0 cm)
Package 3 Length	31.50 in (80.0 cm)
Package 3 Weight	125.66 lb(US) (57 kg)

Contractual warranty

Warranty	18 months
-----------------	-----------

Sustainability


Green Premium™ label is Schneider Electric's commitment to delivering products with best-in-class environmental performance. Green Premium promises compliance with the latest regulations, transparency on environmental impacts, as well as circular and low-CO₂ products.


Guide to assessing product sustainability is a white paper that clarifies global eco-label standards and how to interpret environmental declarations.

[Learn more about Green Premium >](#)

[Guide to assess a product's sustainability >](#)

Well-being performance

 Mercury Free

 Rohs Exemption Information [Yes](#)

Reach Regulation [REACH Declaration](#)

Eu Rohs Directive Pro-active compliance (Product out of EU RoHS legal scope)

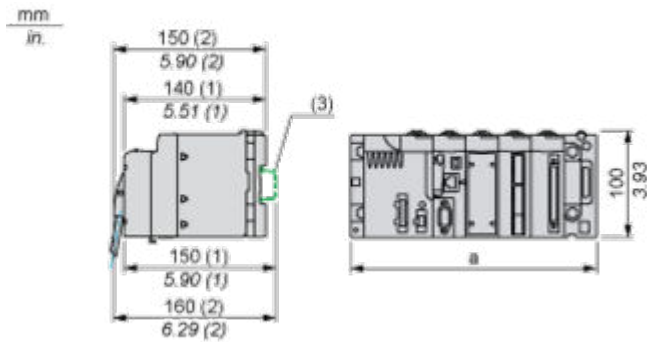
China Rohs Regulation [China RoHS declaration](#)

Weee The product must be disposed on European Union markets following specific waste collection and never end up in rubbish bins

Dimensions Drawings

Modules Mounted on Racks

Dimensions



(1) With removable terminal block (cage, screw or spring).

(2) With FCN connector.

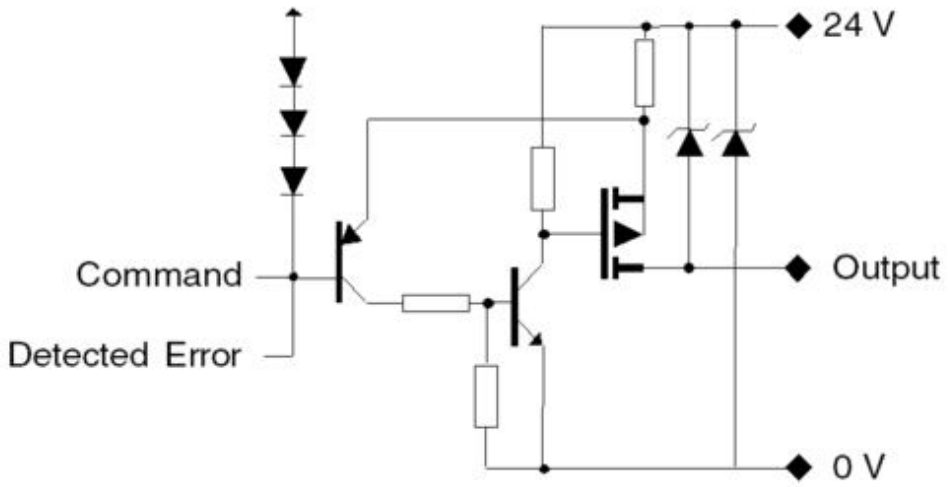
(3) On AM1 ED rail: 35 mm wide, 15 mm deep. Only possible with BMXXBP0400/0400H/0600/0600H/0800/0800H rack.

Rack references	a in mm	a in in.
BMXXBP0400 and BMXXBP0400H	242.4	09.54
BMXXBP0600 and BMXXBP0600H	307.6	12.11
BMXXBP0800 and BMXXBP0800H	372.8	14.68
BMXXBP1200 and BMXXBP1200H	503.2	19.81

Connections and Schema

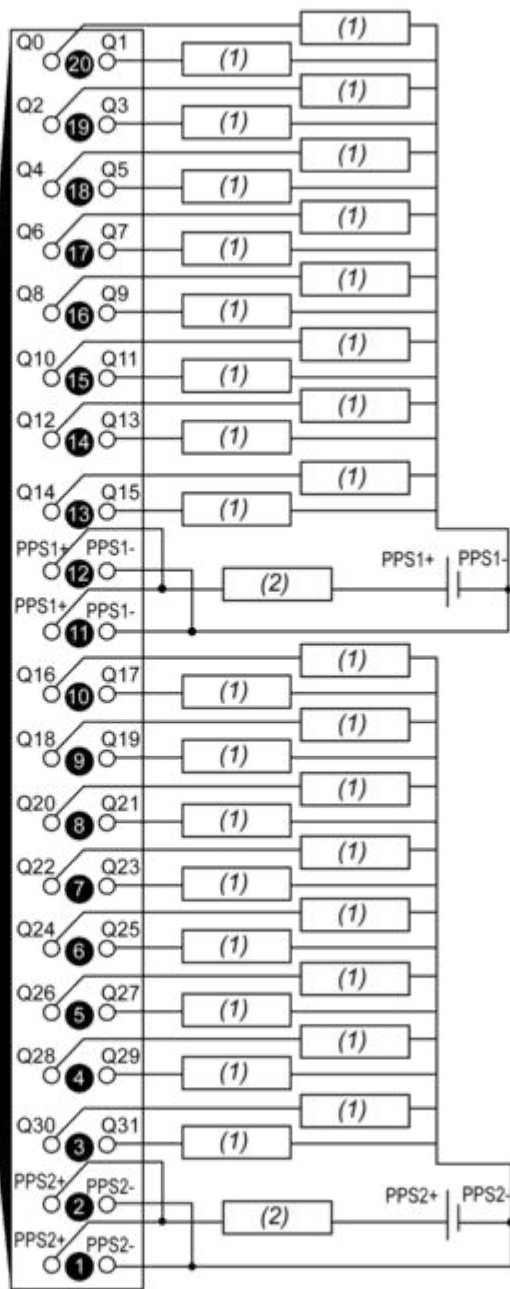
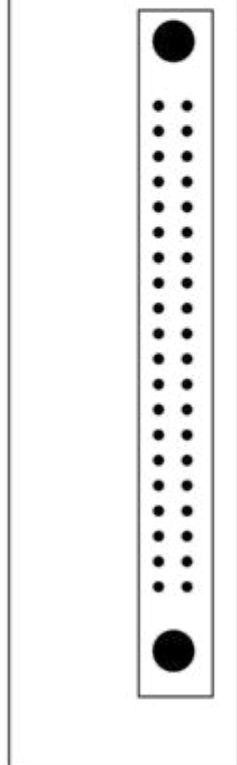
Connecting the Module

Output Circuit Diagram



Module Connection

Run	Err	E/S					
0	1	2	3	4	5	6	7
8	9	10	11	12	13	14	15
16	17	18	19	20	21	22	23
24	25	26	27	28	29	30	31



- (1) pre-actuator
 - (2) fuse: fast blow fuse of 2 A for each 16-channel group
- power supply 24 VDC
 PPS pre-actuator power supply