

# Product data sheet

Specifications



discrete output module, Modicon  
X80, 64 transistor outputs, 24V DC  
positive

BMXDDO6402K

---

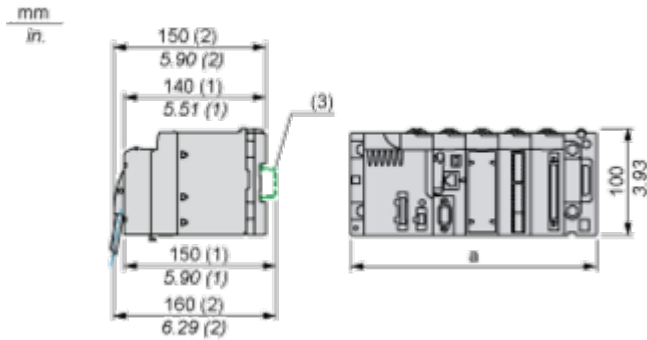
Disclaimer: This documentation is not intended as a substitute for and is not to be used for determining suitability or reliability of these products for specific user applications

Dimensions Drawings

Modules Mounted on Racks

---

Dimensions



(1) With removable terminal block (cage, screw or spring).

(2) With FCN connector.

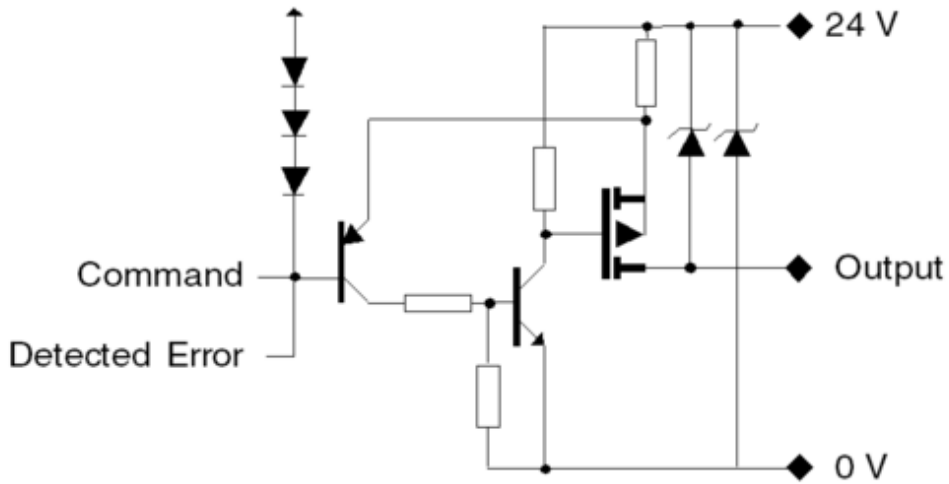
(3) On AM1 ED rail: 35 mm wide, 15 mm deep. Only possible with BMXXBP0400/0400H/0600/0600H/0800/0800H rack.

Rack references	a in mm	a in in.
BMXXBP0400 and BMXXBP0400H	242.4	09.54
BMXXBP0600 and BMXXBP0600H	307.6	12.11
BMXXBP0800 and BMXXBP0800H	372.8	14.68
BMXXBP1200 and BMXXBP1200H	503.2	19.81

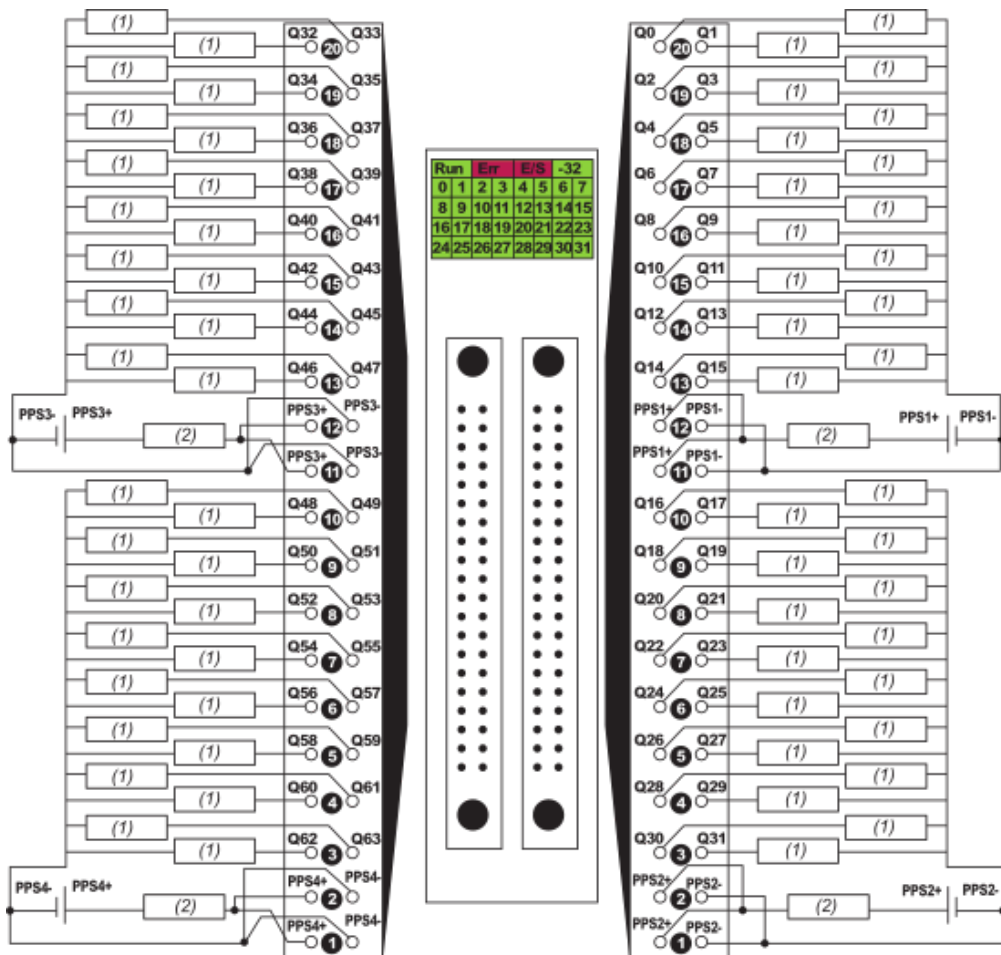
Connections and Schema

Connecting the Module

Output Circuit Diagram



Module Connection



(1) pre-actuator

(2) fuse: fast blow fuse of 2 A for each 16-channel group

**power supply** 24 VDC

**PPS** pre-actuator power supply