

# Product data sheet

Specifications



## discrete input module, Modicon X80, 32 inputs, 24V DC positive

BMXDDI3202K

### Main

Range Of Product	Modicon X80
Product Or Component Type	Discrete input module
Discrete Input Number	32
Discrete Input Type	Isolated
Input Type	Current sink (logic positive)
Discrete Input Voltage	24 V DC positive
Discrete Input Current	2.5 mA

### Complementary

Input Compatibility	With 2-wire/3-wire proximity sensors IEC 60947-5-2 With 2-wire/3-wire proximity sensors IEC 61131-2 Type 1
Sensor Power Supply	19...30 V
Current State 1 Guaranteed	$\geq 2$ mA
Current State 0 Guaranteed	$\leq 0.5$ mA
Input Impedance	9600 Ohm
Insulation Resistance	$> 10$ MOhm 500 V DC
Power Dissipation In W	3.9 W
Dc Typical Response Time	4 ms
Dc Maximum Response Time	7 ms
Paralleling Of Inputs	No
Typical Current Consumption	121 mA 3.3 V DC
Mtbf Reliability	905000 H
Protection Type	1 external fuse per group of channel 0.5 A fast blow reverse polarity protection
Voltage Detection Threshold	$< 14$ V DC sensor fault $> 18$ V DC sensor OK
Status Led	1 LED (green) module operating (RUN) 1 LED per channel (green) channel diagnostic 1 LED (red) module error (ERR) 1 LED (red) module I/O
Net Weight	0.25 lb(US) (0.112 kg)

### Environment

Ip Degree Of Protection	IP20
-------------------------	------

<b>Directives</b>	2014/35/EU - low voltage directive 2014/30/EU - electromagnetic compatibility
<b>Dielectric Strength</b>	1500 V AC 50/60 Hz 1 minute, primary/secondary 500 V DC 1 minute, between group of channels
<b>Vibration Resistance</b>	3 gn
<b>Shock Resistance</b>	30 gn
<b>Ambient Air Temperature For Storage</b>	-40...185 °F (-40...85 °C)
<b>Ambient Air Temperature For Operation</b>	32...140 °F (0...60 °C)
<b>Relative Humidity</b>	5...95 % 131 °F (55 °C) without condensation
<b>Operating Altitude</b>	0...2000 m 2000...5000 m with derating factor

## Packing Units

<b>Unit Type Of Package 1</b>	PCE
<b>Number Of Units In Package 1</b>	1
<b>Package 1 Height</b>	2.12 in (5.373 cm)
<b>Package 1 Width</b>	4.32 in (10.974 cm)
<b>Package 1 Length</b>	4.55 in (11.554 cm)
<b>Package 1 Weight</b>	5.45 oz (154.4 g)
<b>Unit Type Of Package 2</b>	S02
<b>Number Of Units In Package 2</b>	15
<b>Package 2 Height</b>	5.91 in (15 cm)
<b>Package 2 Width</b>	11.81 in (30 cm)
<b>Package 2 Length</b>	15.75 in (40 cm)
<b>Package 2 Weight</b>	5.51 lb(US) (2.5 kg)
<b>Unit Type Of Package 3</b>	P06
<b>Number Of Units In Package 3</b>	240
<b>Package 3 Height</b>	29.53 in (75.0 cm)
<b>Package 3 Width</b>	23.62 in (60.0 cm)
<b>Package 3 Length</b>	31.50 in (80.0 cm)
<b>Package 3 Weight</b>	127.87 lb(US) (58 kg)

## Contractual warranty

<b>Warranty</b>	18 months
-----------------	-----------

## Sustainability


**Green Premium™ label** is Schneider Electric's commitment to delivering products with best-in-class environmental performance. Green Premium promises compliance with the latest regulations, transparency on environmental impacts, as well as circular and low-CO<sub>2</sub> products.


**Guide to assessing product sustainability** is a white paper that clarifies global eco-label standards and how to interpret environmental declarations.

[Learn more about Green Premium >](#)

[Guide to assess a product's sustainability >](#)

## Well-being performance

 Mercury Free

 Rohs Exemption Information [Yes](#)

**Reach Regulation** [REACH Declaration](#)

**Eu Rohs Directive** Pro-active compliance (Product out of EU RoHS legal scope)

**China Rohs Regulation** [China RoHS declaration](#)

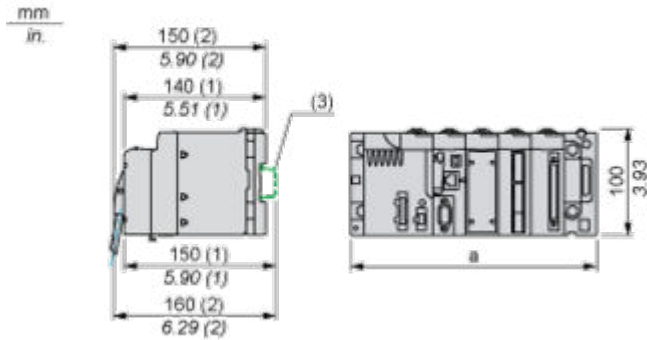
**Weee** The product must be disposed on European Union markets following specific waste collection and never end up in rubbish bins

Dimensions Drawings

Modules Mounted on Racks

---

Dimensions



(1) With removable terminal block (cage, screw or spring).

(2) With FCN connector.

(3) On AM1 ED rail: 35 mm wide, 15 mm deep. Only possible with BMXXBP0400/0400H/0600/0600H/0800/0800H rack.

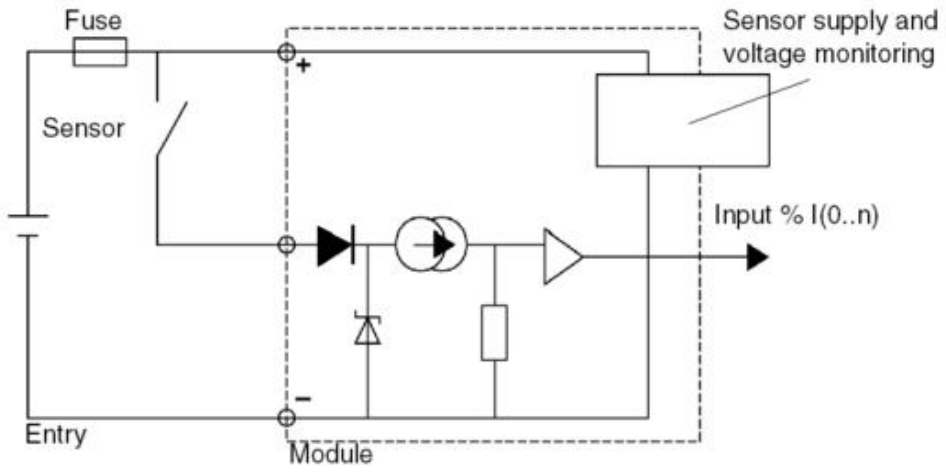
Rack references	a in mm	a in in.
BMXXBP0400 and BMXXBP0400H	242.4	09.54
BMXXBP0600 and BMXXBP0600H	307.6	12.11
BMXXBP0800 and BMXXBP0800H	372.8	14.68
BMXXBP1200 and BMXXBP1200H	503.2	19.81

Connections and Schema

Connecting the Module

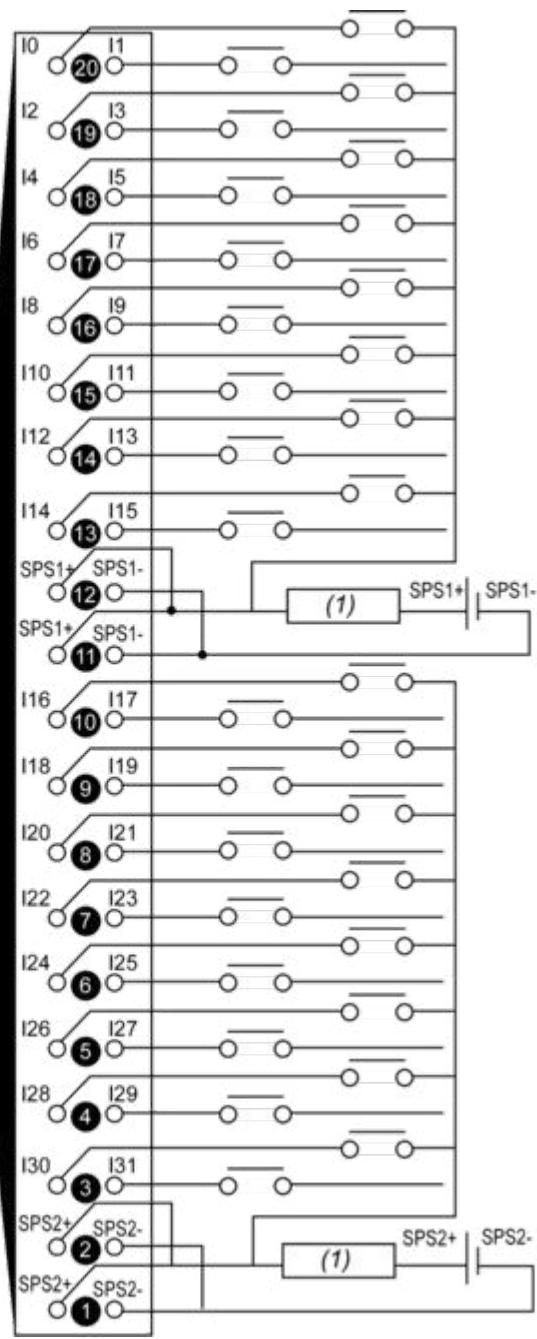
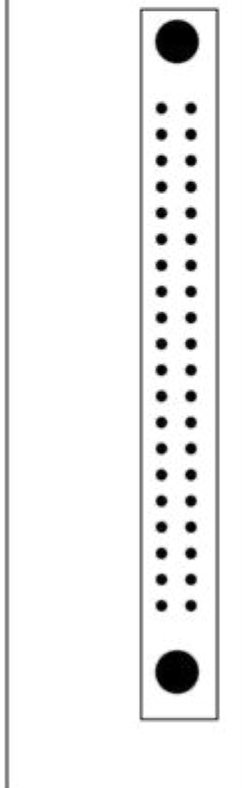
---

Input Circuit Diagram



Module Connection

Run	Err	E/S					
0	1	2	3	4	5	6	7
8	9	10	11	12	13	14	15
16	17	18	19	20	21	22	23
24	25	26	27	28	29	30	31



(1) fuse: fast blow fuse of 0.5 A for each 16-channel group  
 power supply 24 VDC  
 SPS sensor power supply