

Product data sheet

Specifications



counter module, Modicon M340, high speed, 8 channels

BMXEHC0800

Main

Range Of Product	Modicon M340 automation platform
Product Or Component Type	Counter module
Number Of Channels	8
Maximum Counting Frequency	10000 Hz
Number Of Inputs	2 single mode) 3 special dual phase mode)
Input Compatibility	19.2...30 V 2-wire/3-wire proximity sensor incremental encoder with push-pull outputs, 10...30 V totem pole
Input Voltage	24 V DC type 3

Complementary

Counter Functions	Up/down counter 32-bit counter counting Frequency meter Loop (modulo) counting Count events Down counting
Cycle Time	5 ms
Isolation Voltage	1500 V 60 s
Input Type	High speed
Input Voltage Limits	30 V
Input Current	2 mA at 11 V
Voltage State 1 Guaranteed	11...30 V
Current State 1 Guaranteed	≥ 6 mA
Voltage State 0 Guaranteed	< 5 V
Current State 0 Guaranteed	≤ 1.5 mA
Electrical Connection	1 connector 20 pins
Current Consumption	200 mA 3.3 V DC bus 80 mA 24 V DC sensor
Module Format	Standard
Net Weight	0.25 lb(US) (0.113 kg)

Environment

Ambient Air Temperature For Operation	32...140 °F (0...60 °C)
Relative Humidity	10...95 % without condensation

Ip Degree Of Protection	IP20
Directives	2014/35/EU - low voltage directive 2014/30/EU - electromagnetic compatibility
Protective Treatment	TC

Packing Units

Unit Type Of Package 1	PCE
Number Of Units In Package 1	1
Package 1 Height	2.05 in (5.2 cm)
Package 1 Width	4.33 in (11.0 cm)
Package 1 Length	4.65 in (11.8 cm)
Package 1 Weight	5.04 oz (143.0 g)
Unit Type Of Package 2	S02
Number Of Units In Package 2	15
Package 2 Height	5.91 in (15.0 cm)
Package 2 Width	11.81 in (30.0 cm)
Package 2 Length	15.75 in (40.0 cm)
Package 2 Weight	5.27 lb(US) (2.39 kg)

Contractual warranty

Warranty	18 months
-----------------	-----------

Sustainability


Green Premium™ label is Schneider Electric's commitment to delivering products with best-in-class environmental performance. Green Premium promises compliance with the latest regulations, transparency on environmental impacts, as well as circular and low-CO₂ products.


Guide to assessing product sustainability is a white paper that clarifies global eco-label standards and how to interpret environmental declarations.

[Learn more about Green Premium >](#)

[Guide to assess a product's sustainability >](#)

Well-being performance

 Mercury Free

 Rohs Exemption Information [Yes](#)

Reach Regulation [REACH Declaration](#)

Eu Rohs Directive Pro-active compliance (Product out of EU RoHS legal scope)

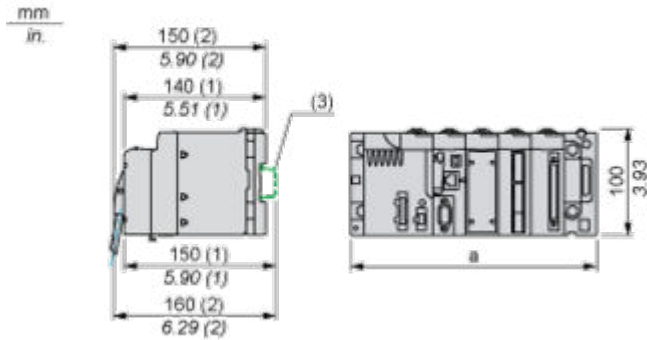
China Rohs Regulation [China RoHS declaration](#)

Weee The product must be disposed on European Union markets following specific waste collection and never end up in rubbish bins

Dimensions Drawings

Modules Mounted on Racks

Dimensions



(1) With removable terminal block (cage, screw or spring).

(2) With FCN connector.

(3) On AM1 ED rail: 35 mm wide, 15 mm deep. Only possible with BMXXBP0400/0400H/0600/0600H/0800/0800H rack.

Rack references	a in mm	a in in.
BMXXBP0400 and BMXXBP0400H	242.4	09.54
BMXXBP0600 and BMXXBP0600H	307.6	12.11
BMXXBP0800 and BMXXBP0800H	372.8	14.68
BMXXBP1200 and BMXXBP1200H	503.2	19.81

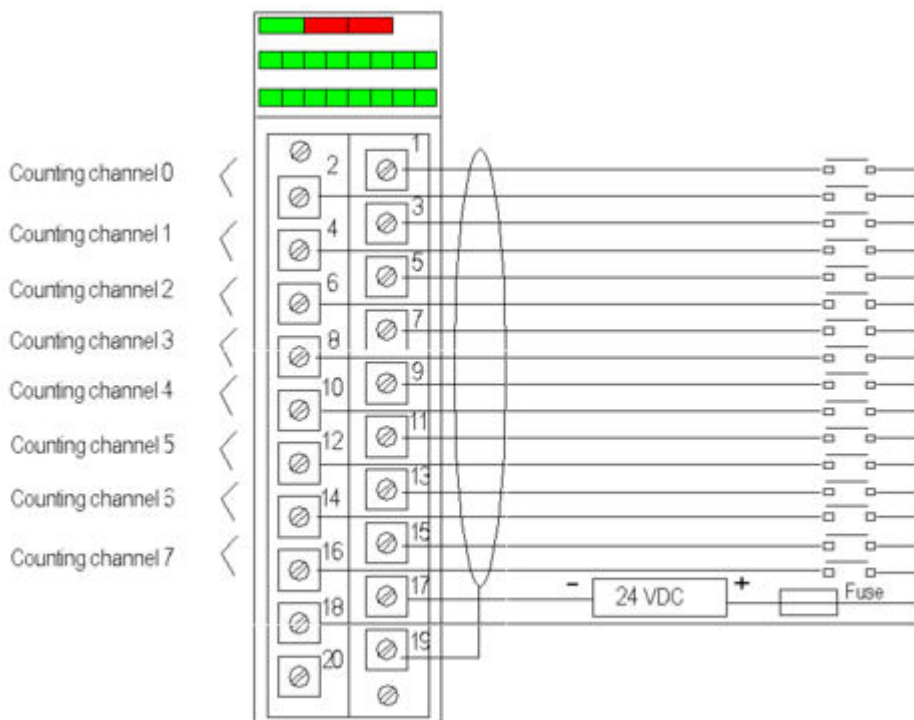
Connections and Schema

Counting Module Wiring

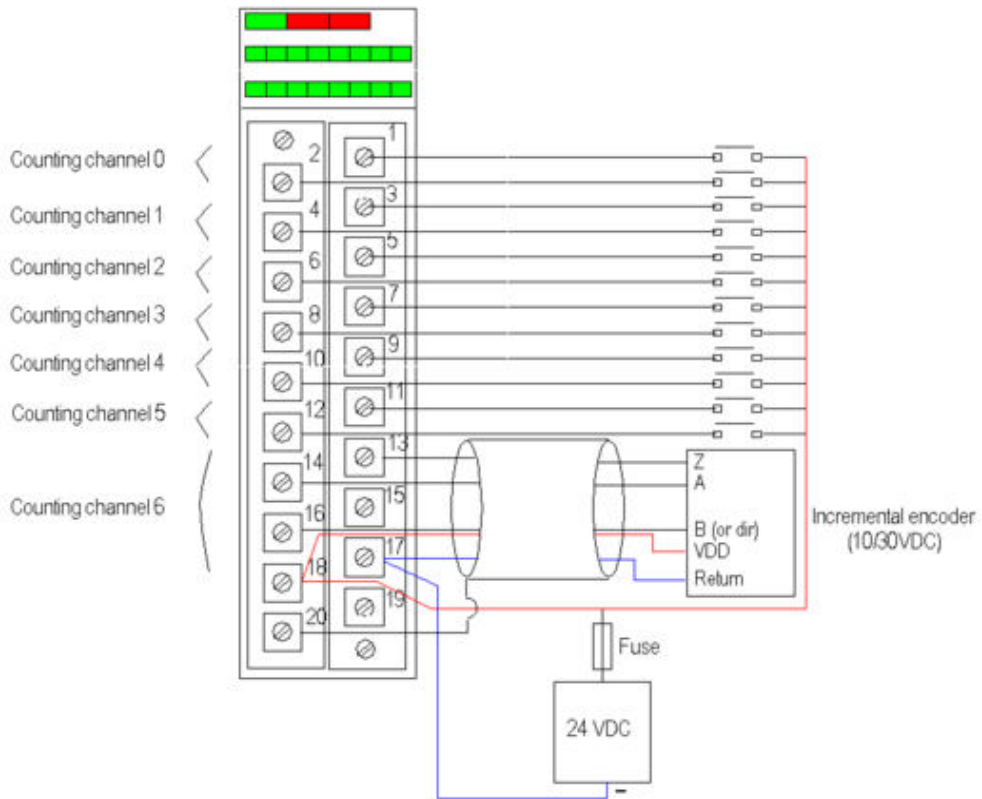
Pin Assignments

IN_A input for channel 0	2	1	IN_AUX input for channel 0
IN_A input for channel 1 or IN_B input for channel 0	4	3	IN_AUX input for channel 1
IN_A input for channel 2	6	5	IN_AUX input for channel 2
IN_A input for channel 3 or IN_B input for channel 2	8	7	IN_AUX input for channel 3
IN_A input for channel 4	10	9	IN_AUX input for channel 4
IN_A input for channel 5 or IN_B input for channel 4	12	11	IN_AUX input for channel 5
IN_A input for channel 6	14	13	IN_AUX input for channel 6
IN_A input for channel 7 or IN_B input for channel 6	16	15	IN_AUX input for channel 7
VDC + power supply for sensors	18	17	Return + 24 V power supply for sensors
Functional earth, for shield continuation	20	19	Functional earth, for shield continuation

Sensor Connection Example



Incremental Encoder Connection Example for Axis Control



Channels 0 to 5 are still used in single mode.
 Channel 7 is no longer available.

**Recommended Circuit for a Highly Disturbed Environment Using BMXXSP...
 Electromagnetic Protection Kit**

