

# Product data sheet

Specifications



## network module, Modicon M340, EtherNet/IP and Modbus/TCP, 4 x RJ45

BMXNOC0401

### Main

|                            |   |
|----------------------------|---|
| Range Of Product           | Modicon M340 automation platform  |
| Product Or Component Type  | Ethernet TCP/IP network module  |
| Concept                    | Transparent Ready   |
| Integrated Connection Type | Ethernet RJ45 10/100 Mbit/s 4 twisted pairs transparent ready class B30 |
| Protective Treatment       | TC  |

### Complementary

|                       |   |
|-----------------------|---|
| Communication Service | Bandwidth management<br>Data Editor (via PC terminal)<br>FDR server<br>Rack Viewer<br>SNMP network administrator<br>Modbus TCP I/O Scanner and Messaging<br>EtherNet/IP I/O Scanner and Messaging<br>Embedded 4-port switch<br>RSTP support<br>Port mirroring |
| Port Ethernet         | 10BASE-T/100BASE-TX   |
| Memory Usage          | Application saving<br>Activating the standard web server  |
| Supply                | Internal power supply via rack  |
| Marking               | CE  |
| Local Signalling      | Processor running (RUN) 1 LED green)<br>Processor or system fault (ERR) 1 LED red)<br>Status of Ethernet network (ETH STS) 1 LED amber)<br>MS (Module Status) 1 LED green/red)<br>NS (Network Status) 1 LED green/red)  |
| Control Type          | Processor or system fault (ERR)   |
| Current Consumption   | 555 mA 3.3 V DC   |
| Module Format         | Standard  |
| Net Weight            | 0.44 lb(US) (0.2 kg)  |

### Environment

|                                       |   |
|---------------------------------------|---|
| Ambient Air Temperature For Operation | 32...140 °F (0...60 °C)   |
| Relative Humidity                     | 10...95 % without condensation  |
| Ip Degree Of Protection               | IP20  |
| Directives                            | 2014/35/EU - low voltage directive<br>2014/30/EU - electromagnetic compatibility<br>2014/34/EU - ATEX directive |

|                                     |   |
|-------------------------------------|---|
| <b>Product Certifications</b>       | CE<br>UL<br>CSA<br>RCM<br>EAC<br>Merchant Navy<br>ATEX zone 2/22<br>IECEX zone 2/22   |
| <b>Standards</b>                    | EN/IEC 61131-2<br>EN/IEC 61010-2-201<br>UL 61010-2-201<br>CSA C22.2 No 61010-2-201<br>IACS E10<br>EN/IEC 61000-6-5, interface type 1 and type 2<br>EN/IEC 61850-3, location G<br>EN/IEC 60079-0 |
| <b>Environmental Characteristic</b> | Hazardous location class I division 2   |

## Packing Units

|                                     |                        |
|-------------------------------------|------------------------|
| <b>Unit Type Of Package 1</b>       | PCE                    |
| <b>Number Of Units In Package 1</b> | 1                      |
| <b>Package 1 Height</b>             | 2.17 in (5.500 cm)     |
| <b>Package 1 Width</b>              | 4.33 in (11.000 cm)    |
| <b>Package 1 Length</b>             | 4.72 in (12.000 cm)    |
| <b>Package 1 Weight</b>             | 7.72 oz (219.000 g)    |
| <b>Unit Type Of Package 2</b>       | S02                    |
| <b>Number Of Units In Package 2</b> | 15                     |
| <b>Package 2 Height</b>             | 5.91 in (15.000 cm)    |
| <b>Package 2 Width</b>              | 11.81 in (30.000 cm)   |
| <b>Package 2 Length</b>             | 15.75 in (40.000 cm)   |
| <b>Package 2 Weight</b>             | 8.06 lb(US) (3.656 kg) |

## Contractual warranty

|                 |           |
|-----------------|-----------|
| <b>Warranty</b> | 18 months |
|-----------------|-----------|

## Sustainability

**Green Premium™ label** is Schneider Electric's commitment to delivering products with best-in-class environmental performance. Green Premium promises compliance with the latest regulations, transparency on environmental impacts, as well as circular and low-CO<sub>2</sub> products.

**Guide to assessing product sustainability** is a white paper that clarifies global eco-label standards and how to interpret environmental declarations.

[Learn more about Green Premium >](#)

[Guide to assess a product's sustainability >](#)



Transparency RoHS/REACH

## Well-being performance

Mercury Free

Rohs Exemption Information Yes

## Certifications & Standards

Reach Regulation [REACH Declaration](#)

Eu Rohs Directive Pro-active compliance (Product out of EU RoHS legal scope)

China Rohs Regulation [China RoHS declaration](#)

Environmental Disclosure [Product Environmental Profile](#)

Weee The product must be disposed on European Union markets following specific waste collection and never end up in rubbish bins

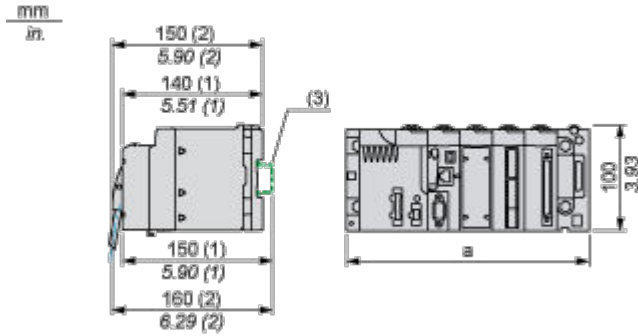
Circularity Profile [End of Life Information](#)

Dimensions Drawings

Modules Mounted on Racks

---

Dimensions



- (1) With removable terminal block (cage, screw or spring).
- (2) With FCN connector.
- (3) On AM1 ED rail: 35 mm wide, 15 mm deep. Only possible with BMXXBP0400/0400H/0600/0600H/0800/0800H rack.

| Rack references            | a in mm | a in in. |
|----------------------------|---------|----------|
| BMXXBP0400 and BMXXBP0400H | 242.4   | 09.54    |
| BMXXBP0600 and BMXXBP0600H | 307.6   | 12.11    |
| BMXXBP0800 and BMXXBP0800H | 372.8   | 14.68    |
| BMXXBP1200 and BMXXBP1200H | 503.2   | 19.81    |