

Product datasheet

Specifications



Communication module, Modicon M580, Ethernet TCP/IP & EIP network Bus X backplane

BMXNOC0402

⚠ Discontinued on: 12 June 2014

⚠ End-of-service on: 31 Dec 2023

⚠ Discontinued

Main

Range Of Product	Modicon M580
Product Or Component Type	Communication module
Product Compatibility	BMEXBP... - Ethernet + X-bus rack (use only on X-bus)
Concept	Transparent Ready

Complementary

Integrated Connection Type	4 Ethernet, connector type: RJ45, transmission rate: 10/100 Mbit/s, transmission mode: double shielded twisted pair
Web Server	Transparent ready class B30
Communication Service	Bandwidth management FDR server SNMP network administrator Modbus TCP I/O Scanner and Messaging Ethernet/IP I/O Scanner and Messaging Embedded 4-port switch RSTP support Port mirroring
Port Ethernet	10BASE-T/100BASE-TX
Memory Usage	Application saving Activating the standard web server
Supply	Internal power supply via rack
Protective Treatment	TC
Marking	CE
Module Format	Standard
Current Consumption	555 mA at 3.3 V DC
Net Weight	0.2 kg

Environment

Ambient Air Temperature For Operation	0...60 °C
Ip Degree Of Protection	IP20
Directives	2014/35/EU - low voltage directive 2014/30/EU - electromagnetic compatibility
Local Signalling	1 LED (green) for processor running (RUN) 1 LED (red) for processor or system fault (ERR) 1 LED (amber) for status of Ethernet network (ETH STS) 1 LED (green/red) for ETH MS (Ethernet port configuration status) 1 LED (green/red) for Eth NS (Ethernet network status)

Packing Units

Unit Type Of Package 1	PCE
Number Of Units In Package 1	1
Package 1 Height	5.5 cm
Package 1 Width	11.0 cm
Package 1 Length	12.0 cm
Package 1 Weight	226.0 g

Sustainability

Green Premium™ label is Schneider Electric's commitment to delivering products with best-in-class environmental performance. Green Premium promises compliance with the latest regulations, transparency on environmental impacts, as well as circular and low-CO₂ products.

Guide to assessing product sustainability is a white paper that clarifies global eco-label standards and how to interpret environmental declarations.

[Learn more about Green Premium >](#)

[Guide to assess a product's sustainability >](#)



RoHS/REACH

Certifications & Standards

Eu Rohs Directive

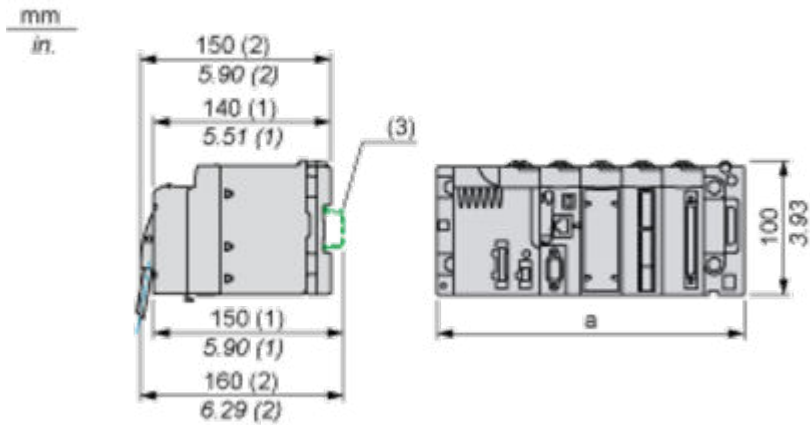
Pro-active compliance (Product out of EU RoHS legal scope)

[EU RoHS Declaration](#)

Dimensions Drawings

Modules Mounted on Racks

Dimensions



(1) With removable terminal block (cage, screw or spring).

(2) With FCN connector.

(3) On AM1 ED rail: 35 mm wide, 15 mm deep. Only possible with BMXXBP0400/0400H/0600/0600H/0800/0800H rack.

Rack references	a in mm	a in in.
BMXXBP0400 and BMXXBP0400H	242.4	09.54
BMXXBP0600 and BMXXBP0600H	307.6	12.11
BMXXBP0800 and BMXXBP0800H	372.8	14.68
BMXXBP1200 and BMXXBP1200H	503.2	19.81