

Product data sheet

Specifications



network module, Modicon M340, Modbus/TCP, 1 x RJ45, flash memory card

BMXNOE0100

Main

Range Of Product	Modicon M340 automation platform
Product Or Component Type	Ethernet TCP/IP network module
Concept	Transparent Ready
Integrated Connection Type	Ethernet TCP/IP RJ45 10/100 Mbit/s 1 twisted pair transparent ready class B30
Protective Treatment	TC

Complementary

Communication Service	Bandwidth management Data Editor (via PC terminal) FDR server Rack Viewer SNMP network administrator Global Data I/O scanning Modbus TCP messaging Web server configurable
Port Ethernet	10BASE-T/100BASE-TX
Memory Description	Supplied Flash memory card (BMXRWSC016M)
Memory Usage	Application saving Activating the standard web server
Supply	Internal power supply via rack
Marking	CE
Local Signalling	Activity on Ethernet network (ETH ACT) 1 LED green) Processor running (RUN) 1 LED green) Status of Ethernet network (ETH STS) 1 LED green) Data rate (ETH 100) 1 LED red) Memory card fault (CARD ERR) 1 LED red) Processor or system fault (ERR) 1 LED red)
Control Type	RESET push-button cold restart
Current Consumption	90 mA 24 V DC
Module Format	Standard
Net Weight	0.44 lb(US) (0.2 kg)

Environment

Ambient Air Temperature For Operation	32...140 °F (0...60 °C)
Relative Humidity	10...95 % without condensation
Ip Degree Of Protection	IP20
Directives	2014/35/EU - low voltage directive 2014/30/EU - electromagnetic compatibility

Packing Units

Unit Type Of Package 1	PCE
Number Of Units In Package 1	1
Package 1 Height	2.01 in (5.100 cm)
Package 1 Width	4.33 in (11.000 cm)
Package 1 Length	4.53 in (11.500 cm)
Package 1 Weight	8.29 oz (235.000 g)
Unit Type Of Package 2	S02
Number Of Units In Package 2	15
Package 2 Height	5.91 in (15.000 cm)
Package 2 Width	11.81 in (30.000 cm)
Package 2 Length	15.75 in (40.000 cm)
Package 2 Weight	8.53 lb(US) (3.868 kg)

Contractual warranty

Warranty	18 months
----------	-----------

Sustainability


Green Premium™ label is Schneider Electric's commitment to delivering products with best-in-class environmental performance. Green Premium promises compliance with the latest regulations, transparency on environmental impacts, as well as circular and low-CO₂ products.


Guide to assessing product sustainability is a white paper that clarifies global eco-label standards and how to interpret environmental declarations.

[Learn more about Green Premium >](#)

[Guide to assess a product's sustainability >](#)

Well-being performance

 Mercury Free

 Rohs Exemption Information [Yes](#)

Reach Regulation [REACH Declaration](#)

Eu Rohs Directive Pro-active compliance (Product out of EU RoHS legal scope)

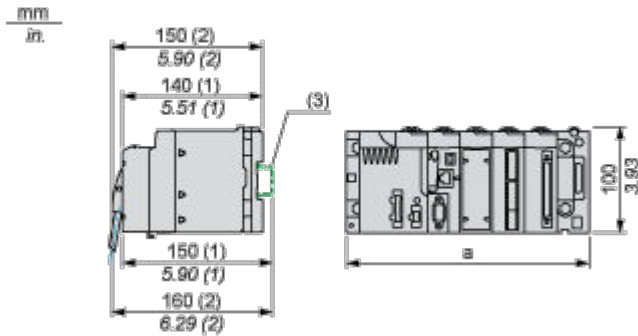
China Rohs Regulation [China RoHS declaration](#)

Weee The product must be disposed on European Union markets following specific waste collection and never end up in rubbish bins

Dimensions Drawings

Modules Mounted on Racks

Dimensions



- (1) With removable terminal block (cage, screw or spring).
- (2) With FCN connector.
- (3) On AM1 ED rail: 35 mm wide, 15 mm deep. Only possible with BMXXBP0400/0400H/0600/0600H/0800/0800H rack.

Rack references	a in mm	a in in.
BMXXBP0400 and BMXXBP0400H	242.4	09.54
BMXXBP0600 and BMXXBP0600H	307.6	12.11
BMXXBP0800 and BMXXBP0800H	372.8	14.68
BMXXBP1200 and BMXXBP1200H	503.2	19.81