

Product data sheet

Specifications



fiber converter module, Modicon X80, single mode

BMXNRP0201

Main

Range Of Product	Modicon X80
Product Or Component Type	Fibre optic repeater
Optic Fiber Type	Single mode

Complementary

Rated Voltage	24 V
Current Consumption	140 mA typical 200 mA maximum
Function Available	Hot swap
Number Of Port	2 RJ45 100BASE-TX IEEE 802.3u 2 fiber optic 100BASE-FX IEEE 802.3u
Local Signalling	Power supply status 1 LED green) Error condition (ERR) 1 LED red) Link status 2 LEDs green) Fiber port state and activity 2 LEDs green)
Wavelength	0.000051575 in (1310 nm)
Operating Distance	0...15000 m
Attenuation	-15...-8 dB 9/125 µm)
Rise/Fall Time	2.5 ns
Receiver Sensitivity	- 31...- 8 dBm
Marking	CE
Width	1.26 in (32 mm)
Height	3.94 in (100 mm)
Depth	3.39 in (86 mm)
Net Weight	7.16 oz (203 g)

Environment

Ambient Air Temperature For Operation	32...140 °F (0...60 °C)
Ambient Air Temperature For Storage	-40...158 °F (-40...70 °C)
Relative Humidity	0...95 %
Directives	2014/35/EU - low voltage directive 2014/30/EU - electromagnetic compatibility

Disclaimer: This documentation is not intended as a substitute for and is not to be used for determining suitability or reliability of these products for specific user applications

Product Certifications	CE RCM CSA EAC Merchant Navy UL
Standards	EN/IEC 61010-2-201 EN/IEC 61131-2 UL 61010-2-201 CSA C22.2 No 61010-2-201
Dielectric Strength	1400 V DC between field and bus 500 V DC between channels
Ip Degree Of Protection	IP20
Operating Altitude	0...4000 m

Packing Units

Unit Type Of Package 1	PCE
Number Of Units In Package 1	1
Package 1 Height	2.28 in (5.800 cm)
Package 1 Width	4.33 in (11.000 cm)
Package 1 Length	5.12 in (13.000 cm)
Package 1 Weight	8.82 oz (250.000 g)
Unit Type Of Package 2	S02
Number Of Units In Package 2	14
Package 2 Height	5.91 in (15.000 cm)
Package 2 Width	11.81 in (30.000 cm)
Package 2 Length	15.75 in (40.000 cm)
Package 2 Weight	8.47 lb(US) (3.840 kg)

Contractual warranty

Warranty	18 months
-----------------	-----------

Sustainability

Green Premium™ label is Schneider Electric's commitment to delivering products with best-in-class environmental performance. Green Premium promises compliance with the latest regulations, transparency on environmental impacts, as well as circular and low-CO₂ products.

Guide to assessing product sustainability is a white paper that clarifies global eco-label standards and how to interpret environmental declarations.

[Learn more about Green Premium >](#)

[Guide to assess a product's sustainability >](#)



Transparency RoHS/REACH

Well-being performance

Mercury Free

Rohs Exemption Information Yes

Certifications & Standards

Reach Regulation [REACH Declaration](#)

Eu Rohs Directive Pro-active compliance (Product out of EU RoHS legal scope)

China Rohs Regulation [China RoHS declaration](#)

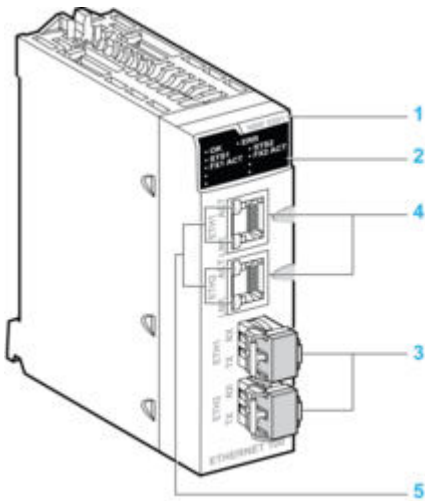
Environmental Disclosure [Product Environmental Profile](#)

Weee The product must be disposed on European Union markets following specific waste collection and never end up in rubbish bins

Circularity Profile [End of Life Information](#)

Presentation

Presentation

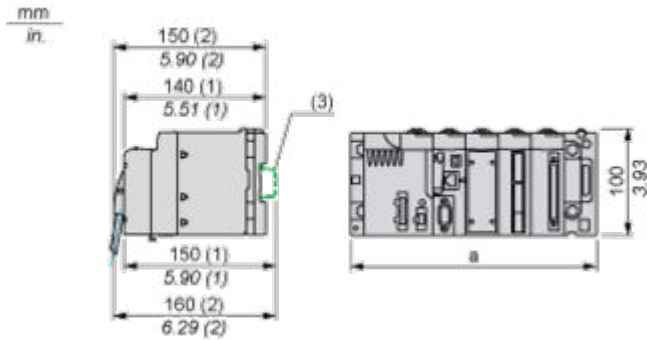


- 1 : Model number
- 2 : LED display panel
- 3 : Optical port with SFP transceiver for LC-type connector
- 4 : RJ45 Ethernet port
- 5 : LNK and ACT LED indicators on the RJ45 Ethernet port

Dimensions Drawings

Modules Mounted on Racks

Dimensions



(1) With removable terminal block (cage, screw or spring).

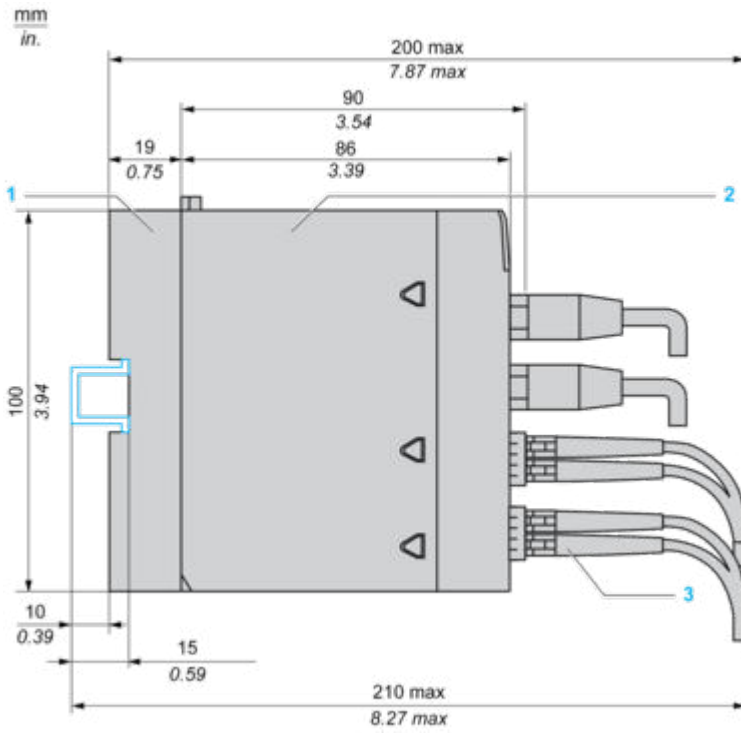
(2) With FCN connector.

(3) On AM1 ED rail: 35 mm wide, 15 mm deep. Only possible with BMXXBP0400/0400H/0600/0600H/0800/0800H rack.

Rack references	a in mm	a in in.
BMXXBP0400 and BMXXBP0400H	242.4	09.54
BMXXBP0600 and BMXXBP0600H	307.6	12.11
BMXXBP0800 and BMXXBP0800H	372.8	14.68
BMXXBP1200 and BMXXBP1200H	503.2	19.81

Mechanical Specifications

Dimensions



- 1 : Backplane
- 2 : Module
- 3 : Cable connections