

**Ø22/25 Round Push Button Switches (S2PR Series)**

| Type  | Appearance   | Model   | Contact block |           | LED block     |            |  |   |   |               |      |      |              |      |      |
|---|--|---|---------------|-----------|---------------|------------|--|---|---|---------------|------|------|--------------|------|------|
|   |  |   | A contact     | B contact | AC/DC voltage | AC voltage |  |   |   |               |      |      |              |      |      |
| Extended  |  <p>S2PR-P1Y□</p>  | S2PR-P1□A(M)  | 1             | —         | —             | —          |  |   |   |               |      |      |              |      |      |
|   |  | S2PR-P1□2A(M)   | 2             | —         |               |            |  |   |   |               |      |      |              |      |      |
|   |  | S2PR-P1□3A(M)   | 3             | —         |               |            |  |   |   |               |      |      |              |      |      |
|   |  | S2PR-P1□B(M)  | —             | 1         |               |            |  |   |   |               |      |      |              |      |      |
|   |  | S2PR-P1□2B(M)   | —             | 2         |               |            |  |   |   |               |      |      |              |      |      |
|   |  | S2PR-P1□3B(M)   | —             | 3         |               |            |  |   |   |               |      |      |              |      |      |
|   |  | S2PR-P1□AB(M)   | 1             | 1         |               |            |  |   |   |               |      |      |              |      |      |
|   |  | S2PR-P1□2AB(M)  | 2             | 1         |               |            |  |   |   |               |      |      |              |      |      |
|   |  | S2PR-P1□A2B(M)  | 1             | 2         |               |            |  |   |   |               |      |      |              |      |      |
|   |  | ※□ indicates color: <b>R</b> , <b>B</b> , <b>G</b> , <b>Y</b> , <b>K</b><br>※The M in the model name indicates modular type contact block. Models without M are singular contact block.<br>※The control unit, contact blocks, LED blocks are sold separately.<br>(control unit: bold letters, contact block: regular letters)<br>※Waterproof cap (model: SA-WP) is available. |               |           |               |            |  |   |   |               |      |      |              |      |      |
| • Dimensions <span style="float: right;">(unit: mm)</span>  <table border="1" style="margin-left: auto; margin-right: auto;"> <thead> <tr> <th></th> <th>A</th> <th>B</th> </tr> </thead> <tbody> <tr> <td>Singular type</td> <td>48.5</td> <td>27.0</td> </tr> <tr> <td>Modular type</td> <td>46.5</td> <td>25.0</td> </tr> </tbody> </table> <p style="text-align: right;">※For panel cut-out dimensions, please refer to page A-82.</p> |  |   |               |           |               |            |  | A | B | Singular type | 48.5 | 27.0 | Modular type | 46.5 | 25.0 |
|   | A  | B   |               |           |               |            |  |   |   |               |      |      |              |      |      |
| Singular type   | 48.5   | 27.0  |               |           |               |            |  |   |   |               |      |      |              |      |      |
| Modular type  | 46.5   | 25.0  |               |           |               |            |  |   |   |               |      |      |              |      |      |

| Type   | Appearance   | Model   | Contact block |           | LED block     |            |  |   |   |               |      |      |              |      |      |
|--|--|---|---------------|-----------|---------------|------------|--|---|---|---------------|------|------|--------------|------|------|
|  |  |   | A contact     | B contact | AC/DC voltage | AC voltage |  |   |   |               |      |      |              |      |      |
| Extended button  |  <p>S2PR-E1G□</p>  | S2PR-E1□A(M)  | 1             | —         | —             | —          |  |   |   |               |      |      |              |      |      |
|  |  | S2PR-E1□2A(M)   | 2             | —         |               |            |  |   |   |               |      |      |              |      |      |
|  |  | S2PR-E1□3A(M)   | 3             | —         |               |            |  |   |   |               |      |      |              |      |      |
|  |  | S2PR-E1□B(M)  | —             | 1         |               |            |  |   |   |               |      |      |              |      |      |
|  |  | S2PR-E1□2B(M)   | —             | 2         |               |            |  |   |   |               |      |      |              |      |      |
|  |  | S2PR-E1□3B(M)   | —             | 3         |               |            |  |   |   |               |      |      |              |      |      |
|  |  | S2PR-E1□AB(M)   | 1             | 1         |               |            |  |   |   |               |      |      |              |      |      |
|  |  | S2PR-E1□2AB(M)  | 2             | 1         |               |            |  |   |   |               |      |      |              |      |      |
|  |  | S2PR-E1□A2B(M)  | 1             | 2         |               |            |  |   |   |               |      |      |              |      |      |
|  |  | ※□ indicates color: <b>R</b> , <b>B</b> , <b>G</b> , <b>Y</b> , <b>K</b><br>※The M in the model name indicates modular type contact block. Models without M are singular contact block.<br>※The control unit, contact blocks, LED blocks are sold separately.<br>(control unit: bold letters, contact block: regular letters) |               |           |               |            |  |   |   |               |      |      |              |      |      |
| • Dimensions <span style="float: right;">(unit: mm)</span>  <table border="1" style="margin-left: auto; margin-right: auto;"> <thead> <tr> <th></th> <th>A</th> <th>B</th> </tr> </thead> <tbody> <tr> <td>Singular type</td> <td>48.5</td> <td>27.0</td> </tr> <tr> <td>Modular type</td> <td>46.5</td> <td>25.0</td> </tr> </tbody> </table> <p style="text-align: right;">※For panel cut-out dimensions, please refer to page A-82.</p> |  |   |               |           |               |            |  | A | B | Singular type | 48.5 | 27.0 | Modular type | 46.5 | 25.0 |
|  | A  | B   |               |           |               |            |  |   |   |               |      |      |              |      |      |
| Singular type  | 48.5   | 27.0  |               |           |               |            |  |   |   |               |      |      |              |      |      |
| Modular type   | 46.5   | 25.0  |               |           |               |            |  |   |   |               |      |      |              |      |      |



# Ø22/25 Push Button Switches

## Control Switches

Ø16

Ø22/25

Ø30

□30

## Push Button Switches

Round

Square

Rectangular

## Selector Switches

Round

Square

Rectangular

## Key Selector Switches

Round

Square

Rectangular

## Double Push Button Switches

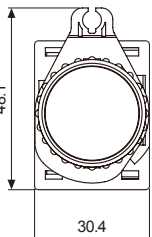
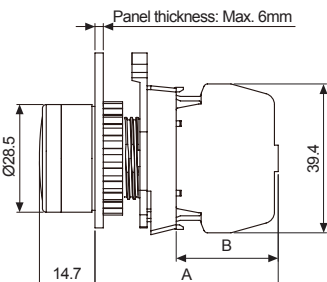
## Mushroom-head Push Button Switches

## Emergency Switches

## Pilot Lights


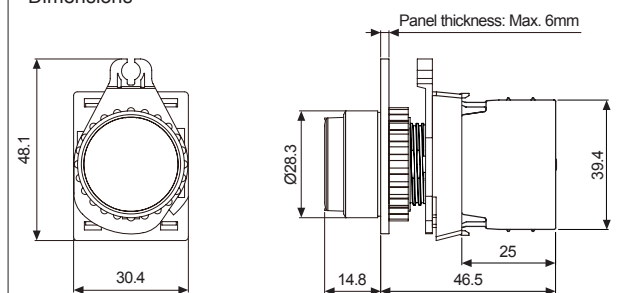

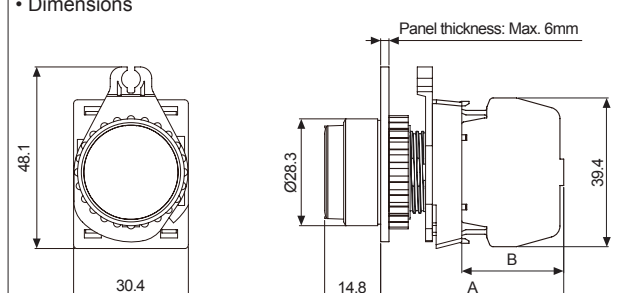
## Accessories

## Buzzers


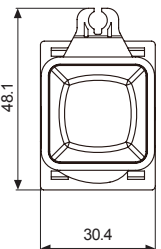
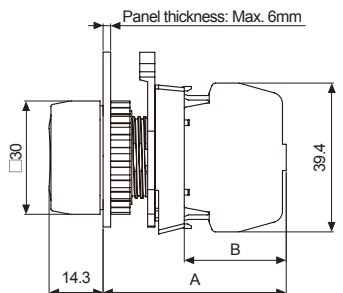
| Type   | Appearance  | Model            | Contact block   |               | LED block     |            |   |
|--|---|------------------|-----------------|---------------|---------------|------------|---|
|  |   |                  | A contact       | B contact     | AC/DC voltage | AC voltage |   |
| Extended (illuminated)   | <br>S2PRU-P3Y□<br>    | Modular contact  | S2PR(U)-P3□ADM  | 1             | —             | 1          | — |
|  |   |                  | S2PR(U)-P3□2ADM | 2             | —             |            |   |
|  |   |                  | S2PR(U)-P3□BDM  | —             | 1             |            |   |
|  |   |                  | S2PR(U)-P3□2BDM | —             | 2             |            |   |
|  |   |                  | S2PR(U)-P3□ABDM | 1             | 1             | —          | 1 |
|  |   |                  | S2PR(U)-P3□ALM  | 1             | —             |            |   |
|  |   |                  | S2PR(U)-P3□2ALM | 2             | —             |            |   |
|  |   |                  | S2PR(U)-P3□BLM  | —             | 1             |            |   |
|  |   |                  | S2PR(U)-P3□2BLM | —             | 2             |            |   |
|  |   |                  | S2PR(U)-P3□ABLM | 1             | 1             |            |   |
| ※□ indicates color: <b>R</b> , <b>B</b> , <b>G</b> , <b>Y</b> , <b>W</b><br>※The control unit, contact blocks, LED blocks are sold separately.<br>(control unit: bold letters, contact block: regular letters)<br>※Control unit+contact block (modular type) models do not contain "Push" markings on the button cap.<br>※Models with 'U' in the model name is available only for control unit. 'U' models do not contain "Push" markings on the button cap.<br>※The LED color is the same as the control unit. ※Waterproof cap (model: SA-WP) is available.   |   |                  |                 |               |               |            |   |
| • Dimensions <span style="float: right;">(unit: mm)</span> <div style="display: flex; justify-content: space-around; align-items: flex-start;"> <div style="text-align: center;">  <p>48.1<br/>30.4</p> </div> <div style="text-align: center;">  <p>Panel thickness: Max. 6mm<br/>           Ø28.5<br/>           14.7<br/>           46.5<br/>           25<br/>           39.4</p> </div> </div> <p style="text-align: right;">※For panel cut-out dimensions, please refer to page A-82.</p> |   |                  |                 |               |               |            |   |
| Appearance   | Model   | Contact block    |                 | LED block     |               |            |   |
|  |   | A contact        | B contact       | AC/DC voltage | AC voltage    |            |   |
|  | <br>S2PR-P3Y□<br> | Singular contact | S2PR(U)-P3□AD   | 1             | —             | 1          | — |
|  |   |                  | S2PR(U)-P3□2AD  | 2             | —             |            |   |
|  |   |                  | S2PR(U)-P3□BD   | —             | 1             |            |   |
|  |   |                  | S2PR(U)-P3□2BD  | —             | 2             |            |   |
|  |   |                  | S2PR(U)-P3□ABD  | 1             | 1             | —          | 1 |
|  |   |                  | S2PR(U)-P3□AL   | 1             | —             |            |   |
|  |   |                  | S2PR(U)-P3□2AL  | 2             | —             |            |   |
|  |   |                  | S2PR(U)-P3□BL   | —             | 1             |            |   |
|  |   |                  | S2PR(U)-P3□2BL  | —             | 2             |            |   |
|  |   |                  | S2PR(U)-P3□ABL  | 1             | 1             |            |   |
| ※□ indicates color: <b>R</b> , <b>B</b> , <b>G</b> , <b>Y</b> , <b>W</b><br>※The control unit, contact blocks, LED blocks are sold separately.<br>(control unit: bold letters, contact block: regular letters)<br>※Control unit+contact block (singular type) models contain "Push" markings on the button cap.<br>※Models with 'U' in the model name is available only for control unit. 'U' models do not contain "Push" markings on the button cap.<br>※The LED color is the same as the control unit. ※Waterproof cap (model: SA-WP) is available.   |   |                  |                 |               |               |            |   |
| • Dimensions <span style="float: right;">(unit: mm)</span> <div style="display: flex; justify-content: space-around; align-items: flex-start;"> <div style="text-align: center;">  <p>48.1<br/>30.4</p> </div> <div style="text-align: center;">  <p>Panel thickness: Max. 6mm<br/>           Ø28.5<br/>           14.7<br/>           A<br/>           B<br/>           39.4</p> </div> </div> <p style="text-align: right;">※For panel cut-out dimensions, please refer to page A-82.</p>   |   |                  |                 |               |               |            |   |



# Ø22/25 Push Button Switches

| Type   | Appearance   | Model            | Contact block   |           | LED block     |            |   |
|--|--|------------------|---|-----------|---------------|------------|---|
|  |  |                  | A contact   | B contact | AC/DC voltage | AC voltage |   |
| Extended button<br>(illuminated)   |  <p>S2PRU-E3W□</p>  | Modular contact  | S2PR(U)-E3□ADM  | 1         | —             | 1          | — |
|  |  |                  | S2PR(U)-E3□2ADM   | 2         | —             |            |   |
|  |  |                  | S2PR(U)-E3□BDM  | —         | 1             |            |   |
|  |  |                  | S2PR(U)-E3□2BDM   | —         | 2             |            |   |
|  |  |                  | S2PR(U)-E3□ABDM   | 1         | 1             | —          | 1 |
|  |  |                  | S2PR(U)-E3□ALM  | 1         | —             |            |   |
|  |  |                  | S2PR(U)-E3□2ALM   | 2         | —             |            |   |
|  |  |                  | S2PR(U)-E3□BLM  | —         | 1             |            |   |
|  |  |                  | S2PR(U)-E3□2BLM   | —         | 2             |            |   |
|  |  |                  | S2PR(U)-E3□ABLM   | 1         | 1             |            |   |
| ※□ indicates color: <b>R</b> , <b>B</b> , <b>G</b> , <b>Y</b> , <b>W</b><br>※The control unit, contact blocks, LED blocks are sold separately.<br>(control unit: bold letters, contact block: regular letters)<br>※Control unit+contact block (modular type) models do not contain "Push" markings on the button cap.<br>※Models with 'U' in the model name is available only for control unit. 'U' models do not contain "Push" markings on the button cap.<br>※The LED color is the same as the control unit. ※Waterproof cap (model: SA-WP) is available. |  |                  |   |           |               |            |   |
| • Dimensions <span style="float: right;">(unit: mm)</span>   |  |                  |   |           |               |            |   |
|  |  |                  |  <p>Panel thickness: Max. 6mm</p>  |           |               |            |   |
| ※For panel cut-out dimensions, please refer to page A-82.  |  |                  |   |           |               |            |   |
| Type   | Appearance   | Model            | Contact block   |           | LED block     |            |   |
|  |  |                  | A contact   | B contact | AC/DC voltage | AC voltage |   |
| Singular contact   |  <p>S2PR-E3W□</p> | Singular contact | S2PR(U)-E3□AD   | 1         | —             | 1          | — |
|  |  |                  | S2PR(U)-E3□2AD  | 2         | —             |            |   |
|  |  |                  | S2PR(U)-E3□BD   | —         | 1             |            |   |
|  |  |                  | S2PR(U)-E3□2BD  | —         | 2             |            |   |
|  |  |                  | S2PR(U)-E3□ABD  | 1         | 1             | —          | 1 |
|  |  |                  | S2PR(U)-E3□AL   | 1         | —             |            |   |
|  |  |                  | S2PR(U)-E3□2AL  | 2         | —             |            |   |
|  |  |                  | S2PR(U)-E3□BL   | —         | 1             |            |   |
|  |  |                  | S2PR(U)-E3□2BL  | —         | 2             |            |   |
|  |  |                  | S2PR(U)-E3□ABL  | 1         | 1             |            |   |
| ※□ indicates color: <b>R</b> , <b>B</b> , <b>G</b> , <b>Y</b> , <b>W</b><br>※The control unit, contact blocks, LED blocks are sold separately.<br>(control unit: bold letters, contact block: regular letters)<br>※Control unit+contact block (singular type) models contain "Push" markings on the button cap.<br>※Models with 'U' in the model name is available only for control unit. 'U' models do not contain "Push" markings on the button cap.<br>※The LED color is the same as the control unit. ※Waterproof cap (model: SA-WP) is available.       |  |                  |   |           |               |            |   |
| • Dimensions <span style="float: right;">(unit: mm)</span>   |  |                  |   |           |               |            |   |
|  |  |                  |  <p>Panel thickness: Max. 6mm</p> |           |               |            |   |
| ※For panel cut-out dimensions, please refer to page A-82.  |  |                  |   |           |               |            |   |

## Ø22/25 Square Push Button Switches (S2PRS Series)

| Type  | Appearance  | Model                   | Contact block   |           | LED block     |            |   |               |      |      |              |      |      |  |  |
|---|---|-------------------------|---|-----------|---------------|------------|---|---------------|------|------|--------------|------|------|--|--|
|   |   |                         | A contact   | B contact | AC/DC voltage | AC voltage |   |               |      |      |              |      |      |  |  |
| Extended  | <br>S2PRS-P1B□ | <b>S2PRS-P1</b> □A(M)   | 1   | —         | —             | —          |   |               |      |      |              |      |      |  |  |
|   |   | <b>S2PRS-P1</b> □2A(M)  | 2   | —         |               |            |   |               |      |      |              |      |      |  |  |
|   |   | <b>S2PRS-P1</b> □3A(M)  | 3   | —         |               |            |   |               |      |      |              |      |      |  |  |
|   |   | <b>S2PRS-P1</b> □B(M)   | —   | 1         |               |            |   |               |      |      |              |      |      |  |  |
|   |   | <b>S2PRS-P1</b> □2B(M)  | —   | 2         |               |            |   |               |      |      |              |      |      |  |  |
|   |   | <b>S2PRS-P1</b> □3B(M)  | —   | 3         |               |            |   |               |      |      |              |      |      |  |  |
|   |   | <b>S2 PRS-P1</b> □AB(M) | 1   | 1         |               |            |   |               |      |      |              |      |      |  |  |
|   |   | <b>S2PRS-P1</b> □2AB(M) | 2   | 1         |               |            |   |               |      |      |              |      |      |  |  |
|   |   | <b>S2PRS-P1</b> □A2B(M) | 1   | 2         |               |            |   |               |      |      |              |      |      |  |  |
| ※□ indicates color: <b>R</b> , <b>B</b> , <b>G</b> , <b>Y</b> , <b>K</b><br>※The M in the model name indicates modular type contact block. Models without M are singular contact block.<br>※The control unit, contact blocks, LED blocks are sold separately.<br>(control unit: bold letters, contact block: regular letters) |   |                         |   |           |               |            |   |               |      |      |              |      |      |  |  |
| • Dimensions <span style="float: right;">(unit: mm)</span>  |   |                         |   |           |               |            |   |               |      |      |              |      |      |  |  |
|   |   |                         |    |           |               |            |   |               |      |      |              |      |      |  |  |
|   |   |                         | <table border="1"> <thead> <tr> <th></th> <th>A</th> <th>B</th> </tr> </thead> <tbody> <tr> <td>Singular type</td> <td>48.5</td> <td>27.0</td> </tr> <tr> <td>Modular type</td> <td>46.5</td> <td>25.0</td> </tr> </tbody> </table> |           |               | A          | B | Singular type | 48.5 | 27.0 | Modular type | 46.5 | 25.0 |  |  |
|   | A   | B                       |   |           |               |            |   |               |      |      |              |      |      |  |  |
| Singular type   | 48.5  | 27.0                    |   |           |               |            |   |               |      |      |              |      |      |  |  |
| Modular type  | 46.5  | 25.0                    |   |           |               |            |   |               |      |      |              |      |      |  |  |
| ※For panel cut-out dimensions, please refer to page A-82.   |   |                         |   |           |               |            |   |               |      |      |              |      |      |  |  |

Control Switches

Ø16

Ø22/25

Ø30

□30

Push Button Switches

Round

Square

Rectangular

Selector Switches

Round

Square

Rectangular

Key Selector Switches

Round

Square

Rectangular

Double Push Button Switches

Mushroom-head Push Button Switches

Emergency Switches

Pilot Lights

Accessories

Buzzers



# Ø22/25 Push Button Switches

| Type   | Appearance  | Model                    | Contact block  |               | LED block     |            |   |
|--|---|--------------------------|--|---------------|---------------|------------|---|
|  |   |                          | A contact  | B contact     | AC/DC voltage | AC voltage |   |
| Extended<br>(illuminated)  | <br>S2PRSU-P3R□<br><br> | Standard/Modular contact | S2PRS(U)-P3□ADM  | 1             | —             | 1          | — |
|  |   |                          | S2PRS(U)-P3□2ADM   | 2             | —             |            |   |
|  |   |                          | S2PRS(U)-P3□BDM  | —             | 1             |            |   |
|  |   |                          | S2PRS(U)-P3□2BDM   | —             | 2             |            |   |
|  |   |                          | S2PRS(U)-P3□ABDM   | 1             | 1             | —          | 1 |
|  |   |                          | S2PRS(U)-P3□ALM  | 1             | —             |            |   |
|  |   |                          | S2PRS(U)-P3□2ALM   | 2             | —             |            |   |
|  |   |                          | S2PRS(U)-P3□BLM  | —             | 1             |            |   |
|  |   |                          | S2PRS(U)-P3□2BLM   | —             | 2             |            |   |
|  |   |                          | S2PRS(U)-P3□ABLM   | 1             | 1             |            |   |
| ※□ indicates color: <b>R</b> , <b>B</b> , <b>G</b> , <b>Y</b> , <b>W</b><br>※The control unit, contact blocks, LED blocks are sold separately.<br>(control unit: bold letters, contact block: regular letters)<br>※Control unit+contact block (modular type) models do not contain "Push" markings on the button cap.<br>※Models with 'U' in the model name is available only for control unit. 'U' models do not contain "Push" markings on the button cap.<br>※The LED color is the same as the control unit.   ※Waterproof cap (model: SA-WP) is available. |   |                          |  |               |               |            |   |
| • Dimensions <span style="float: right;">(unit: mm)</span>   |   |                          |  |               |               |            |   |
|  |   |                          |   |               |               |            |   |
| ※For panel cut-out dimensions, please refer to page A-82.  |   |                          |  |               |               |            |   |
| Appearance   | Model   | Contact block            |  | LED block     |               |            |   |
|  |   | A contact                | B contact  | AC/DC voltage | AC voltage    |            |   |
| <br>S2PRS-P3R□<br><br>   | Standard/Singular contact   | S2PRS(U)-P3□AD           | 1  | —             | 1             | —          |   |
|  |   | S2PRS(U)-P3□2AD          | 2  | —             |               |            |   |
|  |   | S2PRS(U)-P3□BD           | —  | 1             |               |            |   |
|  |   | S2PRS(U)-P3□2BD          | —  | 2             |               |            |   |
|  |   | S2PRS(U)-P3□ABD          | 1  | 1             | —             | 1          |   |
|  |   | S2PRS(U)-P3□AL           | 1  | —             |               |            |   |
|  |   | S2PRS(U)-P3□2AL          | 2  | —             |               |            |   |
|  |   | S2PRS(U)-P3□BL           | —  | 1             |               |            |   |
|  |   | S2PRS(U)-P3□2BL          | —  | 2             |               |            |   |
|  |   | S2PRS(U)-P3□ABL          | 1  | 1             |               |            |   |
| ※□ indicates color: <b>R</b> , <b>B</b> , <b>G</b> , <b>Y</b> , <b>W</b><br>※The control unit, contact blocks, LED blocks are sold separately.<br>(control unit: bold letters, contact block: regular letters)<br>※Control unit+contact block (singular type) models contain "Push" markings on the button cap.<br>※Models with 'U' in the model name is available only for control unit. 'U' models do not contain "Push" markings on the button cap.<br>※The LED color is the same as the control unit.   ※Waterproof cap (model: SA-WP) is available.       |   |                          |  |               |               |            |   |
| • Dimensions <span style="float: right;">(unit: mm)</span>   |   |                          |  |               |               |            |   |
|  |   |                          |  |               |               |            |   |
| ※For panel cut-out dimensions, please refer to page A-82.  |   |                          |  |               |               |            |   |



# Ø22/25 Push Button Switches

## Control Switches

Ø16

Ø22/25

Ø30

□30

## Push Button Switches

Round

Square

Rectangular

## Selector Switches

Round

Square

Rectangular

## Key Selector Switches

Round

Square

Rectangular

## Double Push Button Switches

## Mushroom-head Push Button Switches

## Emergency Switches

## Pilot Lights

## Accessories

## Buzzers

| Type                   | Appearance   | Model               | Contact block    |           | LED block     |            |   |
|------------------------|--|---------------------|------------------|-----------|---------------|------------|---|
|                        |  |                     | A contact        | B contact | AC/DC voltage | AC voltage |   |
| Extended (illuminated) |  <p>S2PRS-P3YU□</p>  | Arrows (Left/Right) | S2PRS-P3□LAD(M)  | 1         | —             | 1          | — |
|                        |  |                     | S2PRS-P3□L2AD(M) | 2         | —             |            |   |
|                        |  |                     | S2PRS-P3□LBD(M)  | —         | 1             |            |   |
|                        |  |                     | S2PRS-P3□L2BD(M) | —         | 2             |            |   |
|                        |  |                     | S2PRS-P3□LABD(M) | 1         | 1             |            |   |
|                        |  |                     | S2PRS-P3□LAL(M)  | 1         | —             |            |   |
|                        |  |                     | S2PRS-P3□L2AL(M) | 2         | —             |            |   |
|                        |  |                     | S2PRS-P3□LBL(M)  | —         | 1             |            |   |
|                        |  |                     | S2PRS-P3□L2BL(M) | —         | 2             |            |   |
|                        |  |                     | S2PRS-P3□LABL(M) | 1         | 1             |            |   |
|                        |  | Arrows (Up/Down)    | S2PRS-P3□UAD(M)  | 1         | —             | 1          | — |
|                        |  |                     | S2PRS-P3□U2AD(M) | 2         | —             |            |   |
|                        |  |                     | S2PRS-P3□UBD(M)  | —         | 1             |            |   |
|                        |  |                     | S2PRS-P3□U2BD(M) | —         | 2             |            |   |
|                        |  |                     | S2PRS-P3□UABD(M) | 1         | 1             |            |   |
|                        |  |                     | S2PRS-P3□UAL(M)  | 1         | —             |            |   |
|                        |  |                     | S2PRS-P3□U2AL(M) | 2         | —             |            |   |
|                        |  |                     | S2PRS-P3□UBL(M)  | —         | 1             |            |   |
|                        |  |                     | S2PRS-P3□U2BL(M) | —         | 2             |            |   |
|                        |  |                     | S2PRS-P3□UABL(M) | 1         | 1             |            |   |

※□ indicates color: **R**, **B**, **G**, **Y**, **W**

※Models without 'U' in the model name contain "Push" markings on the button cap.

※The M in the model name indicates modular type contact block. Models without M are singular contact block.

※The control unit, contact blocks, LED blocks are sold separately.

(control unit: bold letters, contact and LED block: regular letters)

※The LED color is the same as the control unit.

### • Dimensions

(unit: mm)



|               | A    | B    |
|---------------|------|------|
| Singular type | 48.5 | 27.0 |
| Modular type  | 46.5 | 25.0 |

※For panel cut-out dimensions, please refer to page A-82.

# Ø22/25 Panel Cut-out Dimensions

## Ø22/25 Panel Cut-out Dimensions

(unit: mm)

| Type   |             | A   | B  | Panel Cut-out Dimensions |   |
|--|-------------|---|----|--------------------------|---|
| Round/Square Push Button Switches<br>(S2PR/S2PRS Series) |             |    | 33 | 55                       | <p>&lt;Mounting hole: Ø25&gt;</p>  <p>&lt;Mounting hole: Ø22&gt;</p>  |
| Round Selector Switches<br>(S2SR/S2SRN Series)           | Short lever |    | 33 | 55                       |   |
|  | Long lever  |    | 55 | 55                       |   |
| Round Key Selector Switches<br>(S2KR Series)             |             |    | 33 | 55                       |   |
| Double Push Button Switches<br>(S2TR Series)             |             |    | 33 | 60                       |   |
| Mushroom-head Push Button Switches<br>(S2BR Series)      |             |    | 33 | 55                       |   |
| Emergency Switches<br>(S2ER Series)                      | D30         |   | 33 | 55                       |   |
|  | D40         |  | 55 | 55                       |   |
|  | D60         |  | 80 | 80                       |   |
| Pilot Lights (L2RR Series)                               |             |  | 33 | 55                       |   |