

# Product data sheet

Specifications



## Expansion module, Modicon M171/M172/M173, optimized 15 IO

TM171EO15R

### Main

Range Of Product	Modicon M171/M172
Product Or Component Type	Additional I/O module
Product Specific Application	HVAC and pumping solution
Total Inputs/Outputs	15
Discrete Input Number	6
Discrete Output Number	1 open collector 3 relay outputs SPST with same common
Discrete Output Current	2 A relay
Analogue Input Number	3 analog input NTC
Analogue Output Number	1 PWM/PPM 20 kHz, 12 V, 35 mA 2

### Complementary

Number Of Port	1 LAN expansion bus
Input/Output Number	3 analog input 2 analog output 6 digital input 4 digital output
Discrete Input Logic	Sink or source (positive/negative)
Contacts Usage	Volt-free contacts
Analogue Input Type	voltage 0...5 V ratiometric) voltage 0...10 V NTC temperature probe - 50...100 °C 0.1 °C current 0...20 mA/4...20 mA voltage 0...1 V
Sensor Power Supply	12 V DC 85 mA
[Us] Rated Supply Voltage	12...24 V +/- 20 % AC/DC 24 V +/- 20 % DC
Power Consumption In W	18 W 24...48 V AC/DC
Realtime Clock	Built-in clock at 14...131 °F (-10...55 °C)
Display Type	Without display
Overvoltage Category	II
Local Signalling	Programmable 1 LED red) Programmable 1 LED yellow) Programmable 1 LED green)
Width	5.51 in (140 mm)
Height	4.33 in (110 mm)

<b>Depth</b>	2.43 in (61.6 mm)
<b>Net Weight</b>	0.85 lb(US) (0.385 kg)

## Environment

<b>Directives</b>	2006/95/EC - low voltage directive 86/188/EEC - physical agents (noise) directive
<b>Standards</b>	EN/IEC 60730
<b>Product Certifications</b>	cURus EAC CSA CE
<b>Ambient Air Temperature For Operation</b>	14...131 °F (-10...55 °C) UL 60730-1
<b>Ambient Air Temperature For Storage</b>	-4...185 °F (-20...85 °C)
<b>Relative Humidity</b>	10...90 % non-condensing
<b>Ip Degree Of Protection</b>	IP20
<b>Pollution Degree</b>	2

## Packing Units

<b>Unit Type Of Package 1</b>	PCE
<b>Number Of Units In Package 1</b>	1
<b>Package 1 Height</b>	5.12 in (13.0 cm)
<b>Package 1 Width</b>	3.58 in (9.1 cm)
<b>Package 1 Length</b>	7.28 in (18.5 cm)
<b>Package 1 Weight</b>	9.17 oz (260.0 g)
<b>Unit Type Of Package 2</b>	S02
<b>Number Of Units In Package 2</b>	6
<b>Package 2 Height</b>	5.91 in (15.0 cm)
<b>Package 2 Width</b>	11.81 in (30.0 cm)
<b>Package 2 Length</b>	15.75 in (40.0 cm)
<b>Package 2 Weight</b>	4.17 lb(US) (1.891 kg)

## Sustainability

**Green Premium™ label** is Schneider Electric's commitment to delivering products with best-in-class environmental performance. Green Premium promises compliance with the latest regulations, transparency on environmental impacts, as well as circular and low-CO<sub>2</sub> products.

**Guide to assessing product sustainability** is a white paper that clarifies global eco-label standards and how to interpret environmental declarations.

[Learn more about Green Premium >](#)

[Guide to assess a product's sustainability >](#)



Transparency RoHS/REACH

## Resource performance

Upgradeable Through Digital Modules  
And Upgraded Components

## Well-being performance

Mercury Free

Rohs Exemption Information Yes

## Certifications & Standards

**Reach Regulation** [REACH Declaration](#)

**Eu Rohs Directive** Pro-active compliance (Product out of EU RoHS legal scope)

**China Rohs Regulation** [China RoHS declaration](#)

**Environmental Disclosure** [Product Environmental Profile](#)

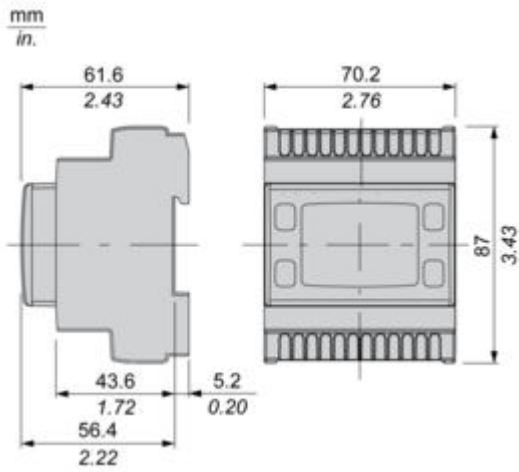
**Weee** The product must be disposed on European Union markets following specific waste collection and never end up in rubbish bins

**Circularity Profile** [End of Life Information](#)

Dimensions Drawings

Dimensions

---

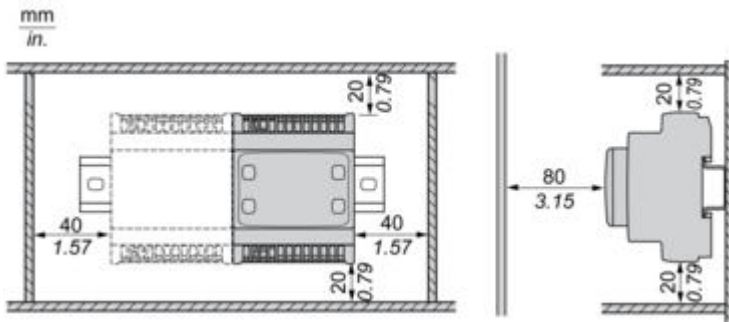


Mounting and Clearance

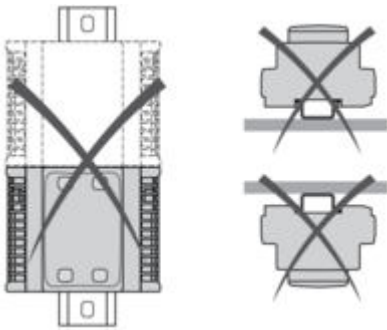
Mounting and Clearance

---

Clearance



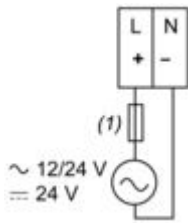
Misplacement



Connections and Schema

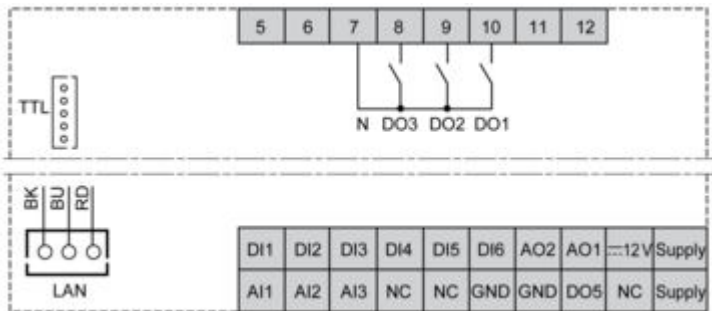
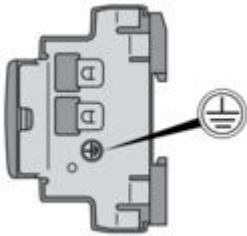
Power Supply

---



(1) Type T fuse (Controller: 1.25 A , Expansion: 1 A)

Wiring Diagram



- N : Neutral
- GND : Ground
- BK : Black
- BU : Blue
- RD : Red
- AI : Analogue input
- AO : Analogue output
- DI : Digital input
- DO : Digital output
- NC : No Connection