

# Product data sheet

Specifications



I/O expansion module, Modicon M238 logic controller, Twido, 2 inputs voltage/current high level, non differential, wear part

TM2AMI2HT

! Discontinued

! Discontinued on: Jan 26, 2021

## Main

Range Of Product	Modicon M238 logic controller
Product Or Component Type	I/O expansion module
Analogue Input Number	2
Input Level	High level
Analogue Input Type	current 4...20 mA non differential voltage 0...10 V non differential
Cross Talk	<= 2 LSB

## Complementary

Range Compatibility	Twido Advantys OTB
Analogue Input Resolution	12 bits
Lsb Value	2.5 mV voltage voltage 4.8 µA current current
Permissible Continuous Overload	40 mA current 13 V voltage
Input Impedance	>= 1 MOhm voltage 10 Ohm current
Sampling Duration	10 ms
Acquisition Period	10 ms per channel + 1 controller cycle time
Measurement Error	+/- 0.2 % of full scale 25 °C
Temperature Coefficient	+/-0.006 %FS/°C
Repeat Accuracy	+/-0.5 %FS
Non-Linearity	+/- 0.2 %FS
Total Error	+/-1 %FS
Type Of Cable	Shielded cable
Insulation Between Channel And Internal Logic	Photocoupler
Supply	External supply
[Us] Rated Supply Voltage	24 V DC
Supply Voltage Limits	20.4...28.8 V
Electrical Connection	1 removable screw terminal block
Current Consumption	50 mA 5 V DC internal 40 mA 24 V DC external

---

Net Weight	0.19 lb(US) (0.085 kg)
------------	------------------------

## Environment

---

Dielectric Strength	500 V between the I/O and the external supply circuit 500 V between the I/O and internal logic
---------------------	---

---

Width	0.93 in (23.5 mm)
-------	-------------------

---

Depth	2.76 in (70 mm)
-------	-----------------

---

Height	3.54 in (90 mm)
--------	-----------------

## Packing Units

---

Unit Type Of Package 1	PCE
------------------------	-----

---

Number Of Units In Package 1	1
------------------------------	---

---

Package 1 Height	2.95 in (7.5 cm)
------------------	------------------

---

Package 1 Width	4.13 in (10.5 cm)
-----------------	-------------------

---

Package 1 Length	5.12 in (13.0 cm)
------------------	-------------------

---

Package 1 Weight	6.95 oz (197.0 g)
------------------	-------------------

## Contractual warranty

---

Warranty	18 months
----------	-----------

## Sustainability

**Green Premium™ label** is Schneider Electric's commitment to delivering products with best-in-class environmental performance. Green Premium promises compliance with the latest regulations, transparency on environmental impacts, as well as circular and low-CO<sub>2</sub> products.

**Guide to assessing product sustainability** is a white paper that clarifies global eco-label standards and how to interpret environmental declarations.

[Learn more about Green Premium >](#)

[Guide to assess a product's sustainability >](#)



Transparency RoHS/REACH

## Well-being performance

Mercury Free

Rohs Exemption Information Yes

Pvc Free

## Certifications & Standards

Reach Regulation [REACH Declaration](#)

Eu Rohs Directive Pro-active compliance (Product out of EU RoHS legal scope)

China Rohs Regulation [China RoHS declaration](#)

Environmental Disclosure [Product Environmental Profile](#)

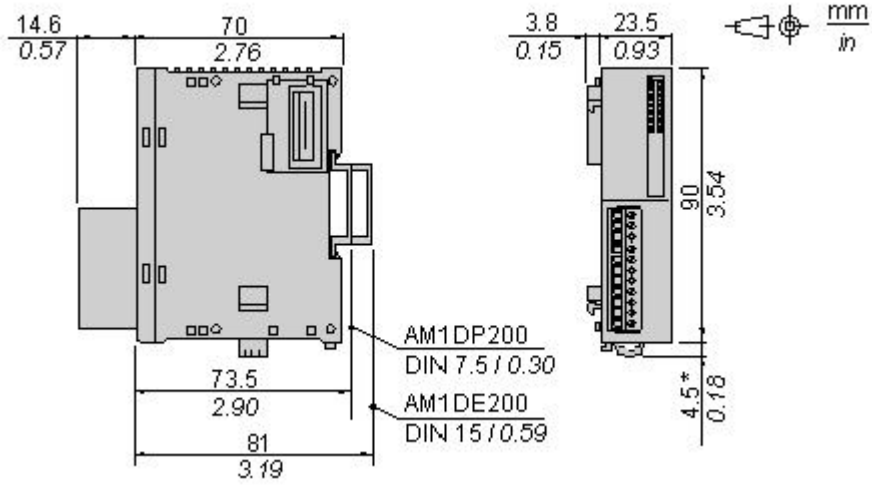
Weee The product must be disposed on European Union markets following specific waste collection and never end up in rubbish bins

Circularity Profile [End of Life Information](#)

Dimensions Drawings

Analog Input Module (2-channel, Voltage/Current)

Dimensions



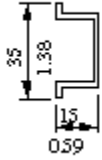
NOTE: \* 8.5 mm (0.33 in) when the clip-on lock is pulled out.

Mounting and Clearance

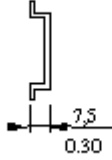
DIN Rail Mounting

---

AM1DE200  
IEC/EN 60715



AM1DP200



AM1ED200



DZ5MB200



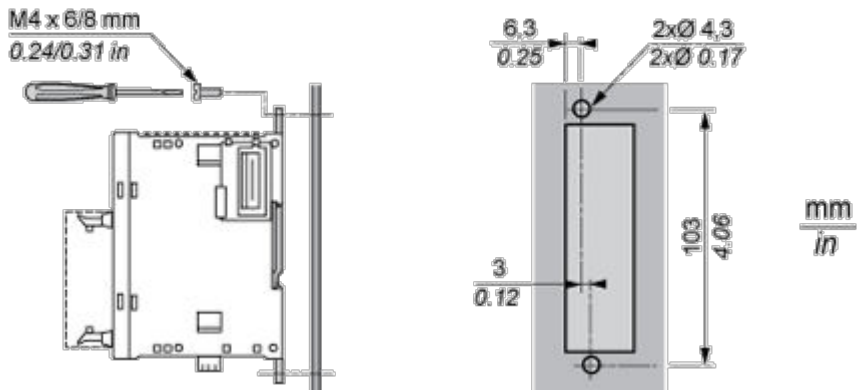
Rail depth	Catalogue part number
15 mm (0.59 in.)	AM1DE200
7,5 mm (0.30 in.)	AM1DP200

NOTE: Do not use AM1ED200 and DZ5MB200

Module Mounting on a Panel Surface

---

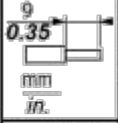





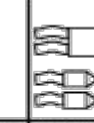
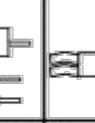
Mounting Hole Layout



Connections and Schema

Wiring Requirements

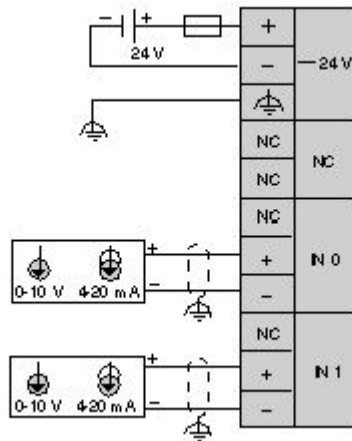
Cable Types and Wire Sizes for Removable Screw Terminal Block

							
mm <sup>2</sup>	0,14...1,5	0,25...0,5	0,25...1,5	0,14...0,5	0,14...0,75	0,25...0,34	0,5
AWG	26...16	24...20	24...16	26...20	26...18	24...22	20

Analog Input Module (2-channel, Voltage/Current)

---

Wiring Diagram



The (-) poles of inputs IN0 and IN1 are connected internally.