

Product data sheet

Specifications



I/O expansion module, Modicon M238 logic controller, Twido, 8 inputs voltage/current, non differential, wear part

TM2AMI8HT

! Discontinued

! Discontinued on: Jan 26, 2021

Main

Range Of Product	Modicon M238 logic controller
Product Or Component Type	I/O expansion module
Analogue Input Number	8
Analogue Input Type	current 4...20 mA non differential voltage 0...10 V non differential
Cross Talk	<= 1 LSB

Complementary

Range Compatibility	Twido Advantys OTB
Analogue Input Resolution	10 bits
Lsb Value	19.5 μ A current 9.7 mV voltage
Permissible Continuous Overload	40 mA current 13 V voltage
Input Impedance	\geq 10 kOhm voltage 470 Ohm current
Sampling Duration	160 ms
Acquisition Period	160 ms per channel + 1 controller cycle time
Measurement Error	+/- 0.2 % of full scale 25 °C
Temperature Coefficient	+/-0.01 %FS/°C
Repeat Accuracy	+/- 0.4 %FS
Non-Linearity	+/- 0.002 %FS
Total Error	+/-1 %FS
Type Of Cable	Shielded cable
Insulation Between Channel And Internal Logic	Photocoupler
Supply	External supply
[Us] Rated Supply Voltage	24 V DC
Supply Voltage Limits	20.4...28.8 V
Electrical Connection	1 removable screw terminal block power supply 1 removable screw terminal block sensors
Current Consumption	45 mA 24 V DC external 60 mA 5 V DC internal

Net Weight	0.19 lb(US) (0.085 kg)
------------	------------------------

Environment

Dielectric Strength	2500 V between the I/O and internal logic
---------------------	-------------------------------------------

Width	0.93 in (23.5 mm)
-------	-------------------

Depth	2.76 in (70 mm)
-------	-----------------

Height	3.54 in (90 mm)
--------	-----------------

Packing Units

Unit Type Of Package 1	PCE
------------------------	-----

Number Of Units In Package 1	1
------------------------------	---

Package 1 Height	2.95 in (7.5 cm)
------------------	------------------

Package 1 Width	4.13 in (10.5 cm)
-----------------	-------------------

Package 1 Length	4.92 in (12.5 cm)
------------------	-------------------

Package 1 Weight	5.08 oz (144.0 g)
------------------	-------------------

Unit Type Of Package 2	S03
------------------------	-----

Number Of Units In Package 2	18
------------------------------	----

Package 2 Height	11.81 in (30.0 cm)
------------------	--------------------

Package 2 Width	11.81 in (30.0 cm)
-----------------	--------------------

Package 2 Length	15.75 in (40.0 cm)
------------------	--------------------

Package 2 Weight	6.85 lb(US) (3.107 kg)
------------------	------------------------

Contractual warranty

Warranty	18 months
----------	-----------

Sustainability

Green Premium™ label is Schneider Electric's commitment to delivering products with best-in-class environmental performance. Green Premium promises compliance with the latest regulations, transparency on environmental impacts, as well as circular and low-CO₂ products.

Guide to assessing product sustainability is a white paper that clarifies global eco-label standards and how to interpret environmental declarations.

[Learn more about Green Premium >](#)

[Guide to assess a product's sustainability >](#)



Transparency RoHS/REACH

Well-being performance

Mercury Free

Rohs Exemption Information Yes

Pvc Free

Certifications & Standards

Reach Regulation

[REACH Declaration](#)

Eu Rohs Directive

Pro-active compliance (Product out of EU RoHS legal scope)

China Rohs Regulation

[China RoHS declaration](#)

Environmental Disclosure

[Product Environmental Profile](#)

Weee

The product must be disposed on European Union markets following specific waste collection and never end up in rubbish bins

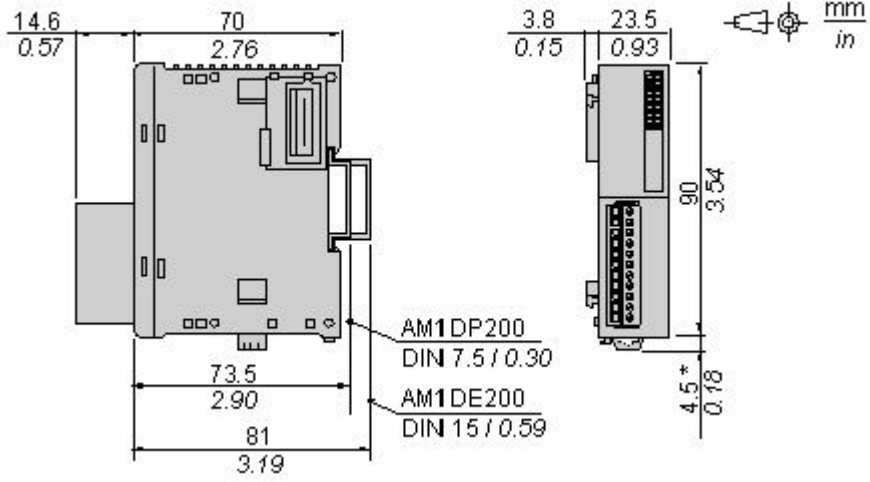
Circularity Profile

[End of Life Information](#)

Dimensions Drawings

Analog Input Module (8-channel, Voltage/Current)

Dimensions

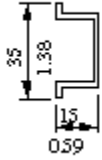


NOTE: * 8.5 mm (0.33 in) when the clip-on lock is pulled out.

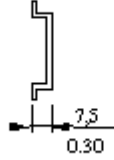
Mounting and Clearance

DIN Rail Mounting

AM1DE200
IEC/EN 60715



AM1DP200



AM1ED200



DZ5MB200

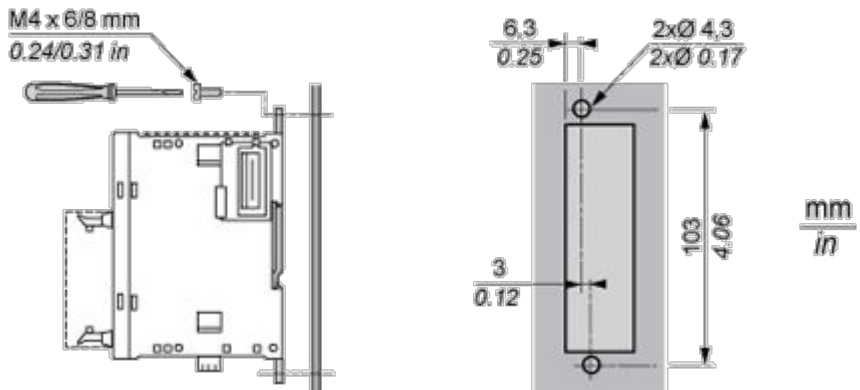


Rail depth	Catalogue part number
15 mm (0.59 in.)	AM1DE200
7,5 mm (0.30 in.)	AM1DP200

NOTE: Do not use AM1ED200 and DZ5MB200

Module Mounting on a Panel Surface

Mounting Hole Layout



Connections and Schema

Wiring Requirements

Cable Types and Wire Sizes for Removable Screw Terminal Block

<p>0.35 mm in.</p>							
mm ²	0,14...1,5	0,25...0,5	0,25...1,5	0,14...0,5	0,14...0,75	0,25...0,34	0,5
AWG	26...16	24...20	24...16	26...20	26...18	24...22	20

Analog Input Module (8-channel, Voltage/Current)

Wiring Diagram

