

Product data sheet

Specifications



Analog output module, Modicon M238 logic controller, 1 output voltage/current, 1 screw terminal block

TM2AM01HT

! Discontinued

! Discontinued on: Jan 26, 2021

Main

Range Of Product	Modicon M238 logic controller
Product Or Component Type	Analog output module
Analogue Output Number	1
Analogue Output Type	Current 4...20 mA Voltage 0...10 V

Complementary

Range Compatibility	Advantys OTB Twido
Analogue Output Resolution	12 bits
Lsb Value	2.5 mV voltage voltage 4.8 μ A current current
Load Type	Resistive
Load Impedance Ohmic	\geq 2000 Ohm voltage \leq 300 Ohm current
Stabilisation Time	10 ms
Conversion Time	10 ms + 1 controller cycle time
Measurement Error	+/- 0.2 % of full scale 25 °C
Temperature Coefficient	+/-0.015 %FS/°C
Repeat Accuracy	+/-0.5 %FS
Non-Linearity	+/- 0.2 %FS
Output Ripple	\leq 1 LSB
Total Error	+/-1 %FS
Type Of Cable	Twisted shielded cable
Insulation Between Channel And Internal Logic	Photocoupler
Supply	External supply
[Us] Rated Supply Voltage	24 V DC
Supply Voltage Limits	19.2...30 V
Electrical Connection	1 removable screw terminal block
Current Consumption	50 mA 5 V DC internal 40 mA 24 V DC external
Net Weight	0.19 lb(US) (0.085 kg)

Environment

Dielectric Strength	500 V between the I/O and the external supply circuit 500 V between the I/O and internal logic
Width	0.93 in (23.5 mm)
Depth	2.76 in (70 mm)
Height	3.54 in (90 mm)

Packing Units

Unit Type Of Package 1	PCE
Number Of Units In Package 1	1
Package 1 Height	2.87 in (7.3 cm)
Package 1 Width	4.06 in (10.3 cm)
Package 1 Length	4.92 in (12.5 cm)
Package 1 Weight	6.91 oz (196.0 g)

Contractual warranty

Warranty	18 months
-----------------	-----------

Sustainability

Green Premium™ label is Schneider Electric's commitment to delivering products with best-in-class environmental performance. Green Premium promises compliance with the latest regulations, transparency on environmental impacts, as well as circular and low-CO₂ products.

Guide to assessing product sustainability is a white paper that clarifies global eco-label standards and how to interpret environmental declarations.

[Learn more about Green Premium >](#)

[Guide to assess a product's sustainability >](#)

Well-being performance

✔ Toxic Heavy Metal Free

✔ Mercury Free

✔ Rohs Exemption Information [Yes](#)

✔ Pvc Free

Reach Regulation [REACH Declaration](#)

Eu Rohs Directive Pro-active compliance (Product out of EU RoHS legal scope)
[EU RoHS Declaration](#)

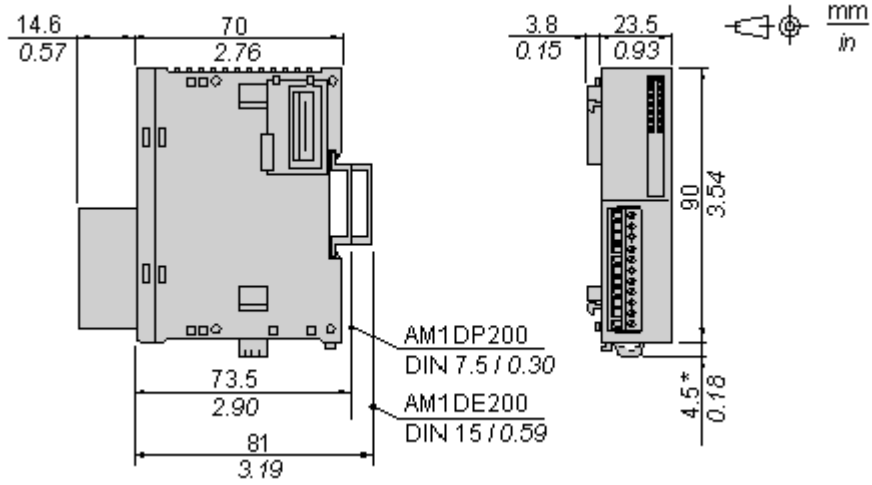
China Rohs Regulation [China RoHS declaration](#)

Weee The product must be disposed on European Union markets following specific waste collection and never end up in rubbish bins

Dimensions Drawings

Analog Output Module (1-channel, Voltage/Current)

Dimensions

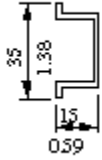


NOTE: * 8.5 mm (0.33 in) when the clip-on lock is pulled out.

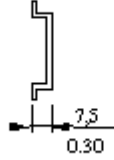
Mounting and Clearance

DIN Rail Mounting

AM1DE200
IEC/EN 60715



AM1DP200



AM1ED200



DZ5MB200

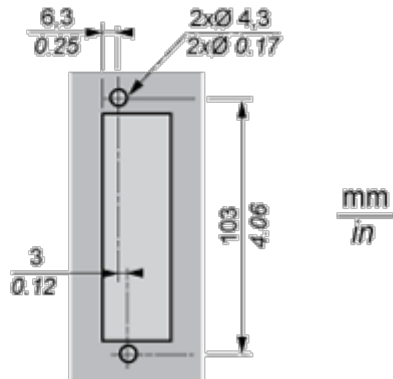
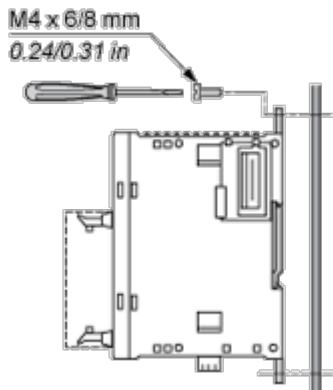


Rail depth	Catalogue part number
15 mm (0.59 in.)	AM1DE200
7,5 mm (0.30 in.)	AM1DP200

NOTE: Do not use AM1ED200 and DZ5MB200

Module Mounting on a Panel Surface

Mounting Hole Layout



Connections and Schema

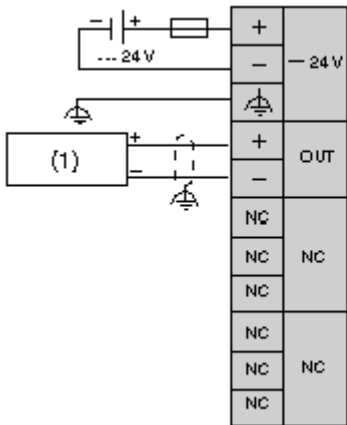
Wiring Requirements

Cable Types and Wire Sizes for Removable Screw Terminal Block

mm ²	0,14...1,5	0,25...0,5	0,25...1,5	0,14...0,5	0,14...0,75	0,25...0,34	0,5
AWG	26...16	24...20	24...16	26...20	26...18	24...22	20

Analog Output Module (1-channel, Voltage/Current)

Wiring Diagram



(1) Voltage/current preactuator