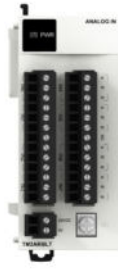


# Product data sheet

Specifications



Analog input module, Modicon M238 logic controller, 8 inputs, 200 to 600 °C, 12 bits, 24VDC, screw terminal blocks

TM2ARI8LT

## Main

Range Of Product	Modicon M238 logic controller
Product Or Component Type	Analog input module
Analogue Input Number	8
Analogue Input Type	Pt 100 temperature probe - 200...600 °C non differential Pt 1000 temperature probe - 50...200 °C non differential

## Complementary

Range Compatibility	Twido Advantys OTB
Analogue Input Resolution	12 bits
Lsb Value	0.006 °C Pt 1000 0.2 °C Pt 100
Input Impedance	>= 10 kOhm
Sampling Duration	160 ms
Acquisition Period	320 ms per group of channel + 1 controller cycle time
Measurement Error	+/- 0.3 % of full scale Pt 1000 25 °C +/- 0.5 % of full scale Pt 100 25 °C
Temperature Coefficient	+/-0.01 %FS/°C
Repeat Accuracy	+/- 0.1 °C
Total Error	1 °C Pt 1000 4 °C Pt 100
Insulation Between Channel And Internal Logic	Photocoupler
Supply	External supply
[Us] Rated Supply Voltage	24 V DC
Supply Voltage Limits	19.2...30 V
Electrical Connection	1 removable screw terminal block power supply 1 removable screw terminal block sensors
Current Consumption	<= 140 mA 24 V DC external 90 mA 5 V DC internal
Net Weight	0.42 lb(US) (0.19 kg)

## Environment

Dielectric Strength	500 V between the I/O and the external supply circuit 2500 V between the I/O and internal logic
Width	3.54 in (90 mm)

---

Depth	2.76 in (70 mm)
-------	-----------------

---

Height	3.54 in (90 mm)
--------	-----------------

---

## Packing Units

---

Unit Type Of Package 1	PCE
------------------------	-----

---

Number Of Units In Package 1	1
------------------------------	---

---

Package 1 Height	2.95 in (7.5 cm)
------------------	------------------

---

Package 1 Width	4.13 in (10.5 cm)
-----------------	-------------------

---

Package 1 Length	4.92 in (12.5 cm)
------------------	-------------------

---

Package 1 Weight	7.37 oz (209.0 g)
------------------	-------------------

---

Unit Type Of Package 2	S03
------------------------	-----

---

Number Of Units In Package 2	18
------------------------------	----

---

Package 2 Height	11.81 in (30.0 cm)
------------------	--------------------

---

Package 2 Width	11.81 in (30.0 cm)
-----------------	--------------------

---

Package 2 Length	15.75 in (40.0 cm)
------------------	--------------------

---

Package 2 Weight	8.29 lb(US) (3.762 kg)
------------------	------------------------

---

## Contractual warranty

---

Warranty	18 months
----------	-----------

---

## Sustainability

**Green Premium™ label** is Schneider Electric's commitment to delivering products with best-in-class environmental performance. Green Premium promises compliance with the latest regulations, transparency on environmental impacts, as well as circular and low-CO<sub>2</sub> products.

**Guide to assessing product sustainability** is a white paper that clarifies global eco-label standards and how to interpret environmental declarations.

[Learn more about Green Premium >](#)

[Guide to assess a product's sustainability >](#)



Transparency RoHS/REACH

## Well-being performance

Mercury Free

Rohs Exemption Information Yes

Pvc Free

## Certifications & Standards

Reach Regulation

[REACH Declaration](#)

Eu Rohs Directive

Pro-active compliance (Product out of EU RoHS legal scope)

China Rohs Regulation

[China RoHS declaration](#)

Environmental Disclosure

[Product Environmental Profile](#)

Weee

The product must be disposed on European Union markets following specific waste collection and never end up in rubbish bins

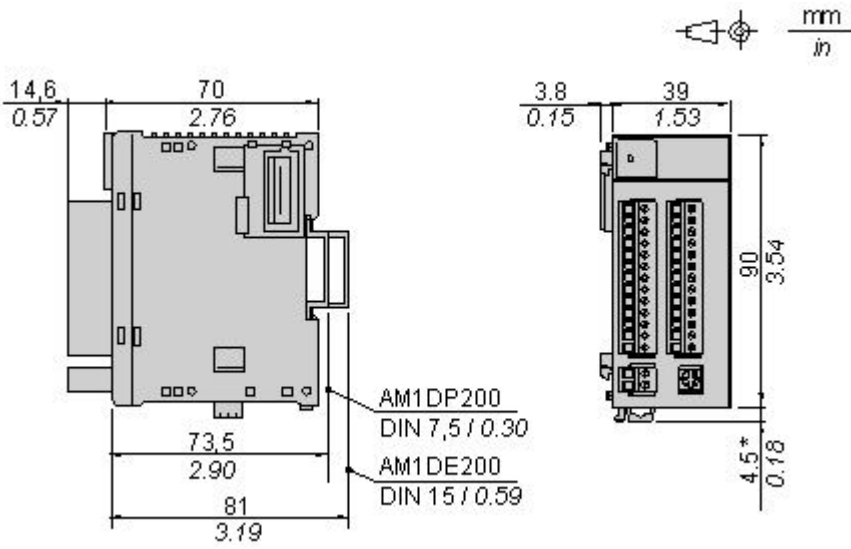
Circularity Profile

[End of Life Information](#)

Dimensions Drawings

Analog Input Module (8-channel, Temperature Probe)

Dimensions



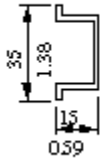
NOTE: \* 8.5 mm (0.33 in) when the clip-on lock is pulled out.

Mounting and Clearance

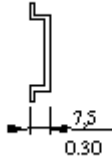
DIN Rail Mounting

---

AM1DE200  
IEC/EN 60715



AM1DP200



AM1ED200



DZ5MB200



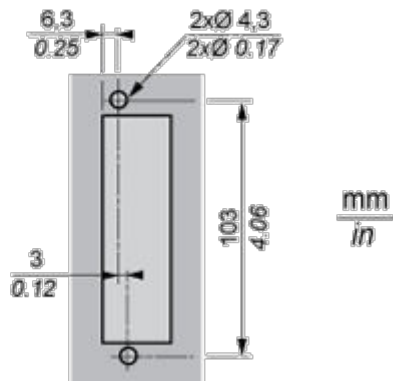
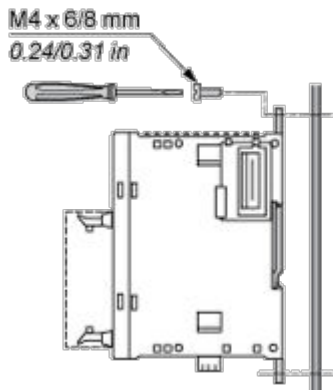
Rail depth	Catalogue part number
15 mm (0.59 in.)	AM1DE200
7,5 mm (0.30 in.)	AM1DP200

NOTE: Do not use AM1ED200 and DZ5MB200

Module Mounting on a Panel Surface

---

Mounting Hole Layout



Connections and Schema

Wiring Requirements

---

Cable Types and Wire Sizes for Removable Screw Terminal Block

<p>9 0.35 mm in.</p>							
mm <sup>2</sup>	0,14...1,5	0,25...0,5	0,25...1,5	0,14...0,5	0,14...0,75	0,25...0,34	0,5
AWG	26...16	24...20	24...16	26...20	26...18	24...22	20

Analog Input Module (8-channel, Temperature Probe)

Wiring Diagram

