

Product data sheet

Specifications



I/O expansion module, Modicon M238 logic controller, Twido, 16 inputs 24VDC, 1 removable screw terminal block, wear part

TM2DDI16DT

! Discontinued

! Discontinued on: Jan 26, 2021

Main

Range Of Product	Modicon M238 logic controller
Product Or Component Type	I/O expansion module
Discrete Input Number	16
Discrete Input Voltage	24 V
Discrete Input Voltage Type	DC

Complementary

Range Compatibility	Twido Advantys OTB
Input Voltage Limits	20.4...28.8 V
Discrete Input Logic	Sink or source
Discrete Input Current	7 mA
Input Impedance	3.4 kOhm
Number Of Common Point	1
Response Time	4 ms at state 0 4 ms at state 1
Isolation Between Channels	None
Isolation Between Channels And Internal Logic	500 V for 1 minute
Current Consumption	40 mA 5 V DC at state 1 for all input
Local Signalling	1 display block
Electrical Connection	1 removable screw terminal block
Mounting Support	35 mm symmetrical DIN rail
Net Weight	0.14 lb(US) (0.065 kg)

Environment

Depth	3.33 in (84.6 mm)
Height	3.54 in (90 mm)
Width	0.93 in (23.5 mm)

Packing Units

Unit Type Of Package 1	PCE
------------------------	-----

Number Of Units In Package 1	1
Package 1 Height	2.91 in (7.4 cm)
Package 1 Width	4.17 in (10.6 cm)
Package 1 Length	5.04 in (12.8 cm)
Package 1 Weight	6.91 oz (196.0 g)

Contractual warranty

Warranty	18 months
-----------------	-----------

Sustainability

Green Premium™ label is Schneider Electric's commitment to delivering products with best-in-class environmental performance. Green Premium promises compliance with the latest regulations, transparency on environmental impacts, as well as circular and low-CO₂ products.

Guide to assessing product sustainability is a white paper that clarifies global eco-label standards and how to interpret environmental declarations.

[Learn more about Green Premium >](#)

[Guide to assess a product's sustainability >](#)

Well-being performance

✓ Reach Free Of Svhc

✓ Mercury Free

✓ Rohs Exemption Information [Yes](#)

✓ Pvc Free

Reach Regulation [REACH Declaration](#)

Eu Rohs Directive Pro-active compliance (Product out of EU RoHS legal scope)

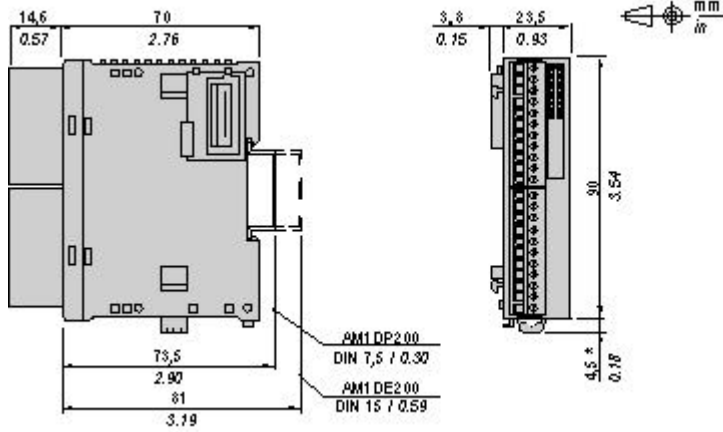
China Rohs Regulation [China RoHS declaration](#)

Weee The product must be disposed on European Union markets following specific waste collection and never end up in rubbish bins

Dimensions Drawings

Digital Input Module (16-channel, 24 Vdc)

Dimensions

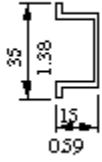


NOTE: * 8.5 mm (0.33 in) when the clamp is pulled out.

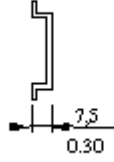
Mounting and Clearance

DIN Rail Mounting

AM1DE200
IEC/EN 60715



AM1DP200



AM1ED200



DZ5MB200

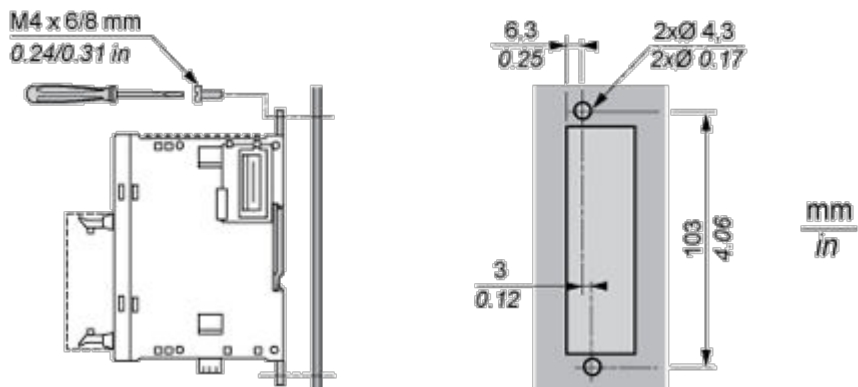


Rail depth	Catalogue part number
15 mm (0.59 in.)	AM1DE200
7,5 mm (0.30 in.)	AM1DP200

NOTE: Do not use AM1ED200 and DZ5MB200

Module Mounting on a Panel Surface

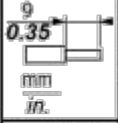





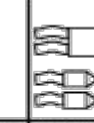
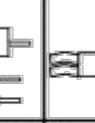
Mounting Hole Layout



Connections and Schema

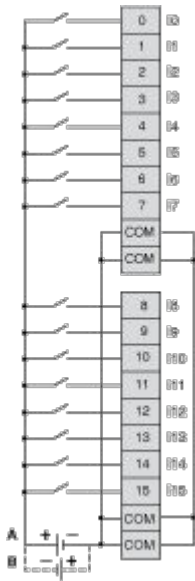
Wiring Requirements

Cable Types and Wire Sizes for Removable Screw Terminal Block

							
mm ²	0,14...1,5	0,25...0,5	0,25...1,5	0,14...0,5	0,14...0,75	0,25...0,34	0,5
AWG	26...16	24...20	24...16	26...20	26...18	24...22	20

Digital Input Module (16-channel, 24 Vdc)

Wiring Diagram



- A Sink wiring (positive logic)
- B Source wiring (negative logic)

The COM terminals are connected together internally.