

# Product data sheet

Specifications



## Discrete output module, Modicon M238 logic controller, 16 outputs 24 V transistor, 1 connector HE10

TM2DDO16TK

⚠ Discontinued on: Oct 30, 2021

⚠ End-of-service on: Dec 1, 2021

⚠ Discontinued - Service only

### Main

Range Of Product	Modicon M238 logic controller
Product Or Component Type	Discrete output module
Discrete Output Number	16
Discrete Output Type	Transistor
Discrete Output Voltage	24 V
Discrete Output Logic	Source
Discrete Output Current	0.4 A

### Complementary

Range Compatibility	Twido Advantys OTB
Output Voltage Limits	20.4...28.8 V
Current Per Channel	0.48 A
Maximum Current Per Output Common	2 A
Number Of Common Point	1
Response Time	450 $\mu$ s from state 0 to state 1 450 $\mu$ s from state 1 to state 0
[Ures] Residual Voltage	1 V at state 1
Maximum Leakage Current	0.1 mA
Maximum Inductive Load	10 mH
Maximum Tungsten Load	9.6 W
Short-Circuit Protection	With automatic reactivation
Overload Protection	With automatic reactivation
Isolation Between Channels	None
Isolation Between Channels And Internal Logic	500 V for 1 minute
Current Consumption	15 mA 5 V DC at state 1 for all output 20 mA 24 V DC at state 1 for all output
Local Signalling	2 display blocks
Electrical Connection	1 connector HE10
Mounting Support	35 mm symmetrical DIN rail
Net Weight	0.15 lb(US) (0.07 kg)

## Environment

---

Depth	3.20 in (81.3 mm)
Height	3.54 in (90 mm)
Width	0.84 in (21.4 mm)

---

## Packing Units

---

Unit Type Of Package 1	PCE
Number Of Units In Package 1	1
Package 1 Height	2.95 in (7.5 cm)
Package 1 Width	4.33 in (11.0 cm)
Package 1 Length	5.12 in (13.0 cm)
Package 1 Weight	6.03 oz (171.0 g)

---

## Contractual warranty

---

Warranty	18 months
----------	-----------

---

## Sustainability


**Green Premium™ label** is Schneider Electric's commitment to delivering products with best-in-class environmental performance. Green Premium promises compliance with the latest regulations, transparency on environmental impacts, as well as circular and low-CO<sub>2</sub> products.

**Guide to assessing product sustainability** is a white paper that clarifies global eco-label standards and how to interpret environmental declarations.


[Learn more about Green Premium >](#)

[Guide to assess a product's sustainability >](#)

## Well-being performance

 Mercury Free

---

 Rohs Exemption Information [Yes](#)

---

 Pvc Free

---

**Reach Regulation** [REACH Declaration](#)

---

**Eu Rohs Directive** Pro-active compliance (Product out of EU RoHS legal scope)

---

**China Rohs Regulation** [China RoHS declaration](#)

---

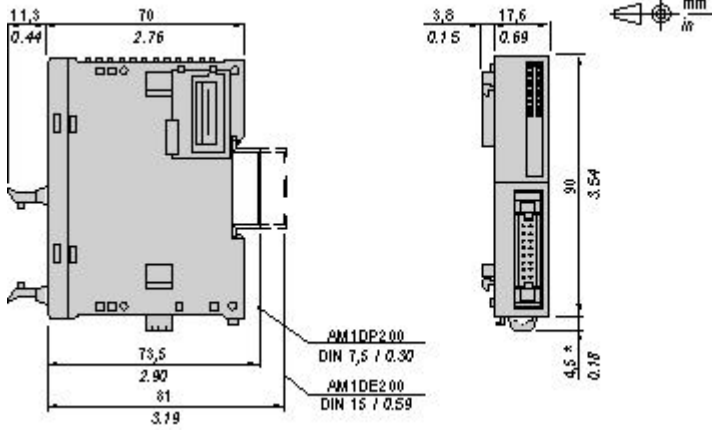
**Weee** The product must be disposed on European Union markets following specific waste collection and never end up in rubbish bins

---

Dimensions Drawings

Digital Transistor Output Module (16-channel, Source)

Dimensions



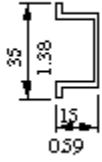
NOTE: \* 8.5 mm (0.33 in) when the clamp is pulled out.

Mounting and Clearance

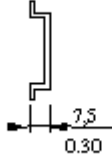
DIN Rail Mounting

---

AM1DE200  
IEC/EN 60715



AM1DP200



AM1ED200



DZ5MB200



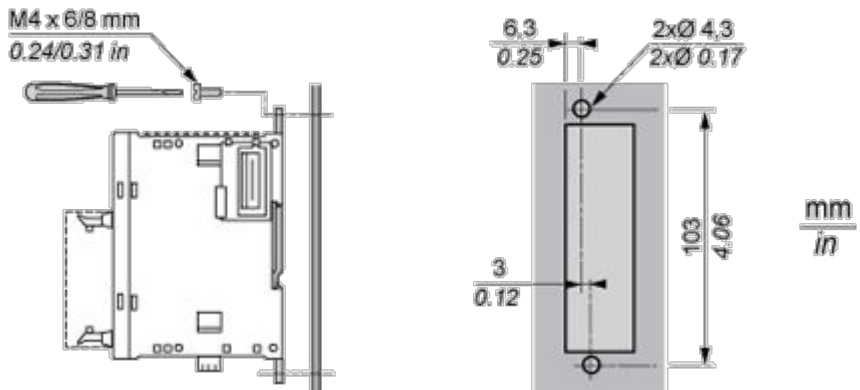
Rail depth	Catalogue part number
15 mm (0.59 in.)	AM1DE200
7,5 mm (0.30 in.)	AM1DP200

NOTE: Do not use AM1ED200 and DZ5MB200

Module Mounting on a Panel Surface

---

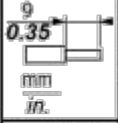





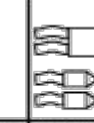
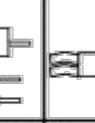
Mounting Hole Layout



Connections and Schema

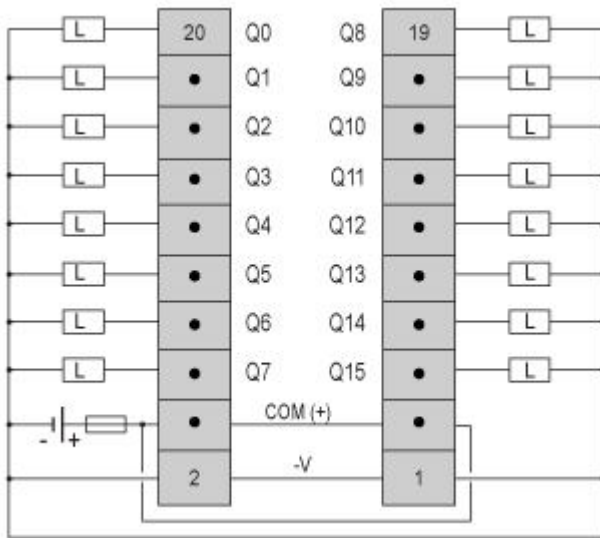
Wiring Requirements

Cable Types and Wire Sizes for Removable Screw Terminal Block

							
mm <sup>2</sup>	0,14...1,5	0,25...0,5	0,25...1,5	0,14...0,5	0,14...0,75	0,25...0,34	0,5
AWG	26...16	24...20	24...16	26...20	26...18	24...22	20

Digital Transistor Output Module (16-channel, Source)

Wiring Diagram



L Load

Fuse value for the load: 0.4 A

Fuse value for the power supply: 2 A