

Product data sheet

Specifications



Discrete output module, Modicon M238 logic controller, 32 outputs 24V transistor, 1 connector HE10

TM2DDO32TK

Main

Range Of Product	Modicon M238 logic controller
Product Or Component Type	Discrete output module
Discrete Output Number	32
Discrete Output Type	Transistor
Discrete Output Voltage	24 V
Discrete Output Logic	Source
Discrete Output Current	0.4 A

Complementary

Range Compatibility	Advantys OTB Twido
Output Voltage Limits	20.4...28.8 V
Current Per Channel	0.48 A
Maximum Current Per Output Common	2 A
Number Of Common Point	2
Response Time	450 μ s from state 0 to state 1 450 μ s from state 1 to state 0
[Ures] Residual Voltage	0.4 V at state 1
Maximum Leakage Current	0.1 mA
Maximum Inductive Load	10 mH
Maximum Tungsten Load	9.6 W
Short-Circuit Protection	With automatic reactivaton
Overload Protection	With automatic reactivaton
Isolation Between Channels	None
Isolation Between Channels And Internal Logic	500 V for 1 minute
Current Consumption	25 mA 5 V DC at state 1 for all output 40 mA 24 V DC at state 1 for all output
Local Signalling	2 display blocks
Electrical Connection	1 connector HE10
Mounting Support	35 mm symmetrical DIN rail
Net Weight	0.23 lb(US) (0.105 kg)

Environment

Depth	3.20 in (81.3 mm)
Height	3.54 in (90 mm)
Width	1.32 in (33.5 mm)

Packing Units

Unit Type Of Package 1	PCE
Number Of Units In Package 1	1
Package 1 Height	2.76 in (7.0 cm)
Package 1 Width	3.94 in (10.0 cm)
Package 1 Length	4.92 in (12.5 cm)
Package 1 Weight	7.41 oz (210.0 g)

Contractual warranty

Warranty	18 months
-----------------	-----------

Sustainability

Green Premium™ label is Schneider Electric's commitment to delivering products with best-in-class environmental performance. Green Premium promises compliance with the latest regulations, transparency on environmental impacts, as well as circular and low-CO₂ products.

Guide to assessing product sustainability is a white paper that clarifies global eco-label standards and how to interpret environmental declarations.

[Learn more about Green Premium >](#)

[Guide to assess a product's sustainability >](#)

Well-being performance

✓ Mercury Free

✓ Rohs Exemption Information [Yes](#)

✓ Pvc Free

Reach Regulation [REACH Declaration](#)

Eu Rohs Directive Pro-active compliance (Product out of EU RoHS legal scope)

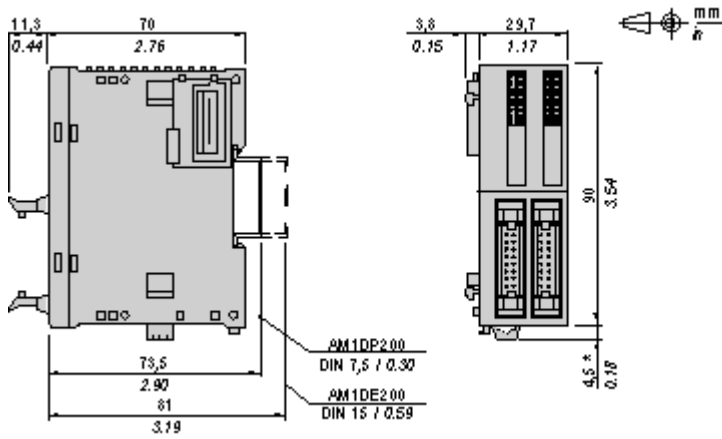
China Rohs Regulation [China RoHS declaration](#)

Weee The product must be disposed on European Union markets following specific waste collection and never end up in rubbish bins

Dimensions Drawings

Digital Transistor Output Module (32-channel, Source)

Dimensions

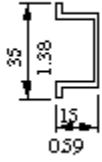


NOTE: * 8.5 mm (0.33 in) when the clamp is pulled out.

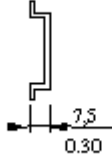
Mounting and Clearance

DIN Rail Mounting

AM1DE200
IEC/EN 60715



AM1DP200



AM1ED200



DZ5MB200

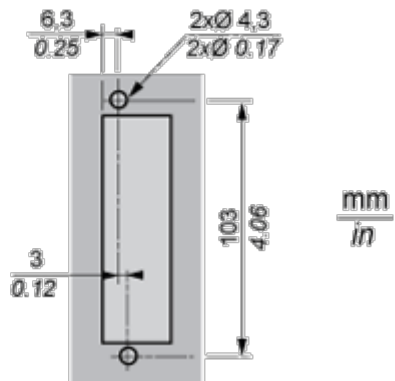
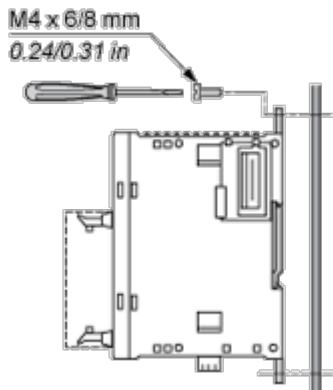


Rail depth	Catalogue part number
15 mm (0.59 in.)	AM1DE200
7,5 mm (0.30 in.)	AM1DP200

NOTE: Do not use AM1ED200 and DZ5MB200

Module Mounting on a Panel Surface

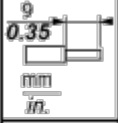



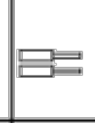

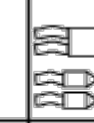
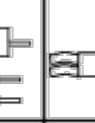
Mounting Hole Layout



Connections and Schema

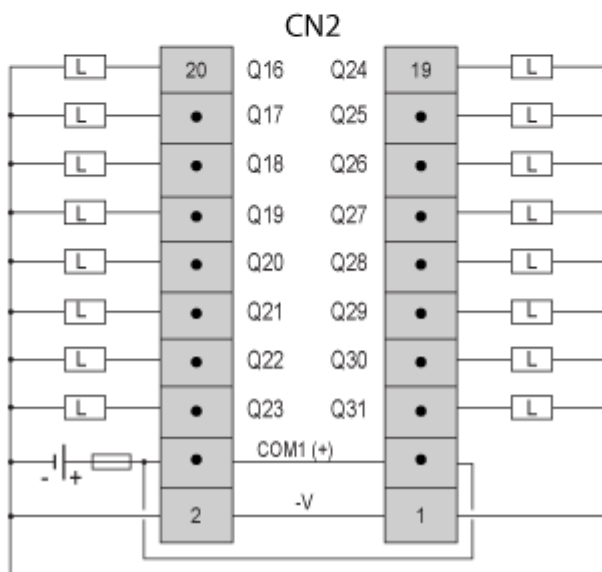
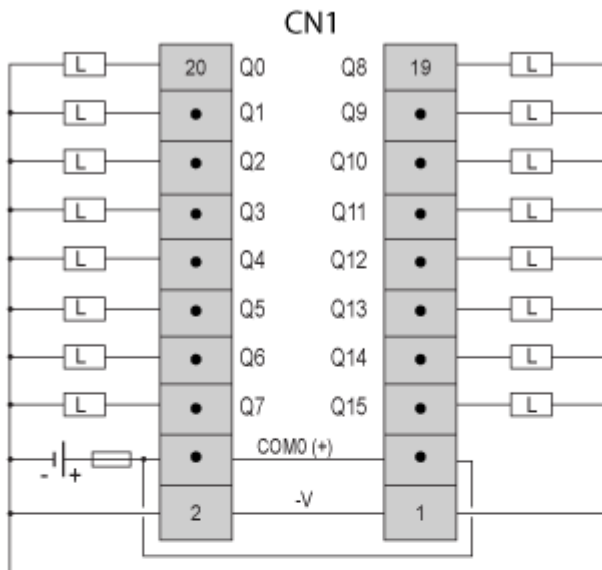
Wiring Requirements

Cable Types and Wire Sizes for Removable Screw Terminal Block

							
mm ²	0,14...1,5	0,25...0,5	0,25...1,5	0,14...0,5	0,14...0,75	0,25...0,34	0,5
AWG	26...16	24...20	24...16	26...20	26...18	24...22	20

Digital Transistor Output Module (32-channel, Source)

Wiring Diagram



L Load

Fuse value for the load: 0.4 A

Fuse value for the power supply: 2 A