

# Product data sheet

Specifications



## Discrete output module, Modicon M238 logic controller, 32 outputs 24 V transistor, 1 connector HE10

TM2DDO32UK

### Main

Range Of Product	Modicon M238 logic controller
Product Or Component Type	Discrete output module
Discrete Output Number	32
Discrete Output Type	Transistor
Discrete Output Voltage	24 V
Discrete Output Logic	Sink
Discrete Output Current	0.1 A

### Complementary

Range Compatibility	Advantys OTB Twido
Output Voltage Limits	20.4...28.8 V
Current Per Channel	0.12 A
Maximum Current Per Output Common	1 A
Number Of Common Point	2
Response Time	300 µs from state 0 to state 1 300 µs from state 1 to state 0
[Ures] Residual Voltage	1 V at state 1
Maximum Tungsten Load	8 W
Short-Circuit Protection	Without
Overload Protection	Without
Isolation Between Channels	None
Isolation Between Channels And Internal Logic	500 V for 1 minute
Current Consumption	20 mA 5 V DC at state 1 for all output 70 mA 24 V DC at state 1 for all output
Local Signalling	2 display blocks
Electrical Connection	1 connector HE10
Mounting Support	35 mm symmetrical DIN rail
Net Weight	0.23 lb(US) (0.105 kg)

### Environment

Depth	3.20 in (81.3 mm)
Height	3.54 in (90 mm)

---

<b>Width</b>	1.32 in (33.5 mm)
--------------	-------------------

## Packing Units

---

<b>Unit Type Of Package 1</b>	PCE
-------------------------------	-----

---

<b>Number Of Units In Package 1</b>	1
-------------------------------------	---

---

<b>Package 1 Height</b>	2.95 in (7.5 cm)
-------------------------	------------------

---

<b>Package 1 Width</b>	4.13 in (10.5 cm)
------------------------	-------------------

---

<b>Package 1 Length</b>	5.12 in (13.0 cm)
-------------------------	-------------------

---

<b>Package 1 Weight</b>	7.23 oz (205.0 g)
-------------------------	-------------------

## Contractual warranty

---

<b>Warranty</b>	18 months
-----------------	-----------

## Sustainability

**Green Premium™ label** is Schneider Electric's commitment to delivering products with best-in-class environmental performance. Green Premium promises compliance with the latest regulations, transparency on environmental impacts, as well as circular and low-CO<sub>2</sub> products.

**Guide to assessing product sustainability** is a white paper that clarifies global eco-label standards and how to interpret environmental declarations.

[Learn more about Green Premium >](#)

[Guide to assess a product's sustainability >](#)

## Well-being performance

✓ Reach Free Of Svhc

---

✓ Mercury Free

---

✓ Rohs Exemption Information [Yes](#)

---

✓ Pvc Free

---

**Reach Regulation** [REACH Declaration](#)

---

**Eu Rohs Directive** Pro-active compliance (Product out of EU RoHS legal scope)

---

**China Rohs Regulation** [China RoHS declaration](#)

---

**Weee** The product must be disposed on European Union markets following specific waste collection and never end up in rubbish bins

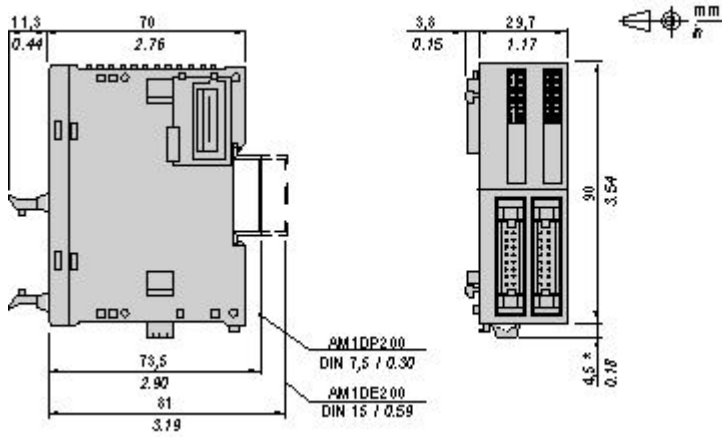
---

Dimensions Drawings

Digital Transistor Output Module (32-channel, Sink)

---

Dimensions



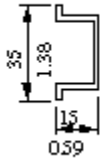
NOTE: \* 8.5 mm (0.33 in) when the clamp is pulled out.

Mounting and Clearance

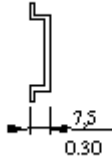
DIN Rail Mounting

---

AM1DE200  
IEC/EN 60715



AM1DP200



AM1ED200



DZ5MB200



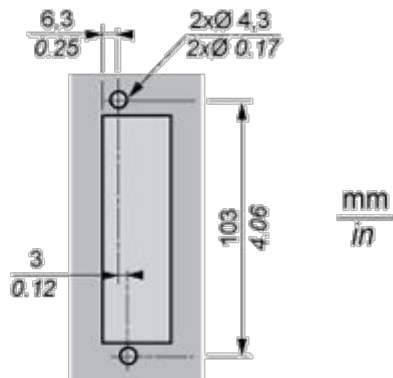
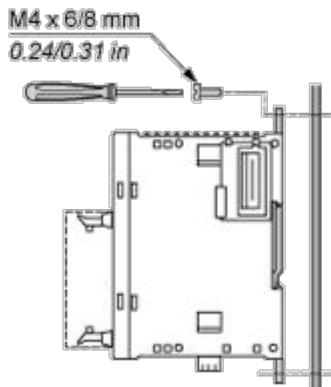
Rail depth	Catalogue part number
15 mm (0.59 in.)	AM1DE200
7,5 mm (0.30 in.)	AM1DP200

NOTE: Do not use AM1ED200 and DZ5MB200

Module Mounting on a Panel Surface

---

Mounting Hole Layout



Connections and Schema

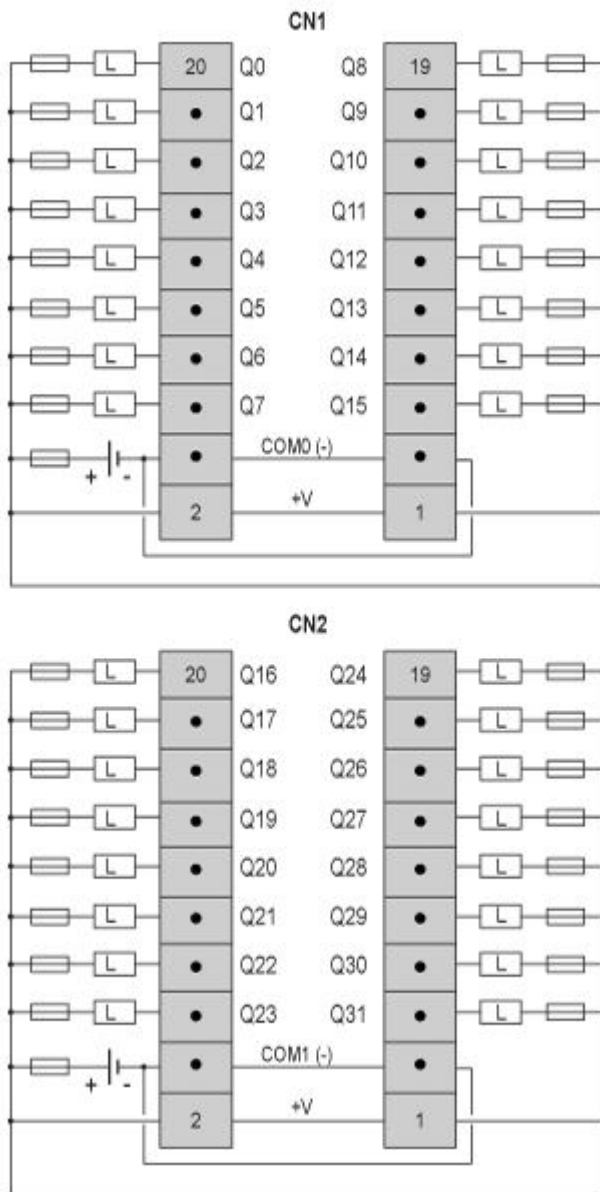
Wiring Requirements

Cable Types and Wire Sizes for Removable Screw Terminal Block

mm <sup>2</sup>	0,14...1,5	0,25...0,5	0,25...1,5	0,14...0,5	0,14...0,75	0,25...0,34	0,5
AWG	26...16	24...20	24...16	26...20	26...18	24...22	20

Digital Transistor Output Module (32-channel, Sink)

Wiring Diagram



L Load

Fuse value for the load: 0.125 A

Fuse value for the power supply: 2 A