

# Product data sheet

Specifications



## Discrete output module, Modicon M238 logic controller, 8 outputs 24V transistor, 1 screw terminal block

TM2DDO8TT

### Main

Range Of Product	Modicon M238 logic controller
Product Or Component Type	Discrete output module
Discrete Output Number	8
Discrete Output Type	Transistor
Discrete Output Voltage	24 V
Discrete Output Logic	Source
Discrete Output Current	0.5 A

### Complementary

Range Compatibility	Advantys OTB Twido
Output Voltage Limits	20.4...28.8 V
Current Per Channel	0.6 A
Maximum Current Per Output Common	4 A
Number Of Common Point	1
Response Time	450 $\mu$ s from state 0 to state 1 450 $\mu$ s from state 1 to state 0
[Ures] Residual Voltage	0.4 V at state 1
Maximum Leakage Current	0.1 mA
Maximum Inductive Load	10 mH
Maximum Tungsten Load	12 W
Short-Circuit Protection	With automatic reactivaton
Overload Protection	With automatic reactivaton
Isolation Between Channels	None
Isolation Between Channels And Internal Logic	500 V for 1 minute
Current Consumption	10 mA 5 V DC at state 1 for all output 20 mA 24 V DC at state 1 for all output
Local Signalling	1 display block
Electrical Connection	1 removable screw terminal block
Mounting Support	35 mm symmetrical DIN rail
Net Weight	0.19 lb(US) (0.085 kg)

### Environment

---

<b>Depth</b>	3.33 in (84.6 mm)
<b>Height</b>	3.54 in (90 mm)
<b>Width</b>	1.07 in (27.3 mm)

---

## Packing Units

---

<b>Unit Type Of Package 1</b>	PCE
<b>Number Of Units In Package 1</b>	1
<b>Package 1 Height</b>	2.76 in (7.0 cm)
<b>Package 1 Width</b>	3.94 in (10.0 cm)
<b>Package 1 Length</b>	4.92 in (12.5 cm)
<b>Package 1 Weight</b>	6.49 oz (184.0 g)

---

## Contractual warranty

---

<b>Warranty</b>	18 months
-----------------	-----------

---

## Sustainability


**Green Premium™ label** is Schneider Electric's commitment to delivering products with best-in-class environmental performance. Green Premium promises compliance with the latest regulations, transparency on environmental impacts, as well as circular and low-CO<sub>2</sub> products.

**Guide to assessing product sustainability** is a white paper that clarifies global eco-label standards and how to interpret environmental declarations.


[Learn more about Green Premium >](#)

[Guide to assess a product's sustainability >](#)

## Well-being performance

 Mercury Free

---

 Rohs Exemption Information [Yes](#)

---

 Pvc Free

---

**Reach Regulation** [REACH Declaration](#)

---

**Eu Rohs Directive** Pro-active compliance (Product out of EU RoHS legal scope)

---

**China Rohs Regulation** [China RoHS declaration](#)

---

**Weee** The product must be disposed on European Union markets following specific waste collection and never end up in rubbish bins

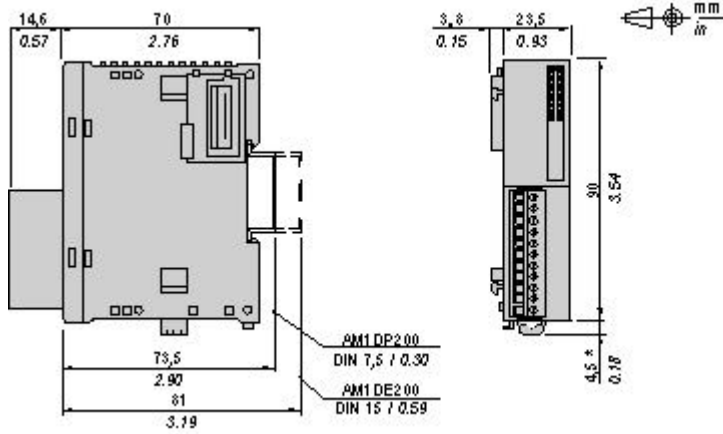
---

Dimensions Drawings

Digital Transistor Output Module (8-channel, Source)

---

Dimensions



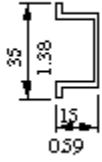
NOTE: \* 8.5 mm (0.33 in) when the clamp is pulled out.

Mounting and Clearance

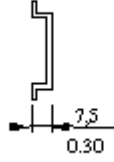
DIN Rail Mounting

---

AM1DE200  
IEC/EN 60715



AM1DP200



AM1ED200



DZ5MB200



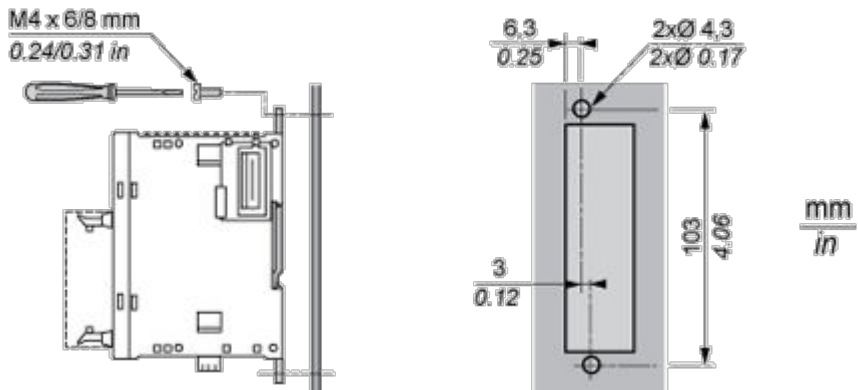
Rail depth	Catalogue part number
15 mm (0.59 in.)	AM1DE200
7,5 mm (0.30 in.)	AM1DP200

NOTE: Do not use AM1ED200 and DZ5MB200

Module Mounting on a Panel Surface

---

Mounting Hole Layout



Connections and Schema

Wiring Requirements

---

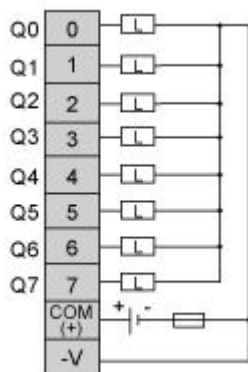
Cable Types and Wire Sizes for Removable Screw Terminal Block

mm <sup>2</sup>	0,14...1,5	0,25...0,5	0,25...1,5	0,14...0,5	0,14...0,75	0,25...0,34	0,5
AWG	26...16	24...20	24...16	26...20	26...18	24...22	20

Digital Transistor Output Module (8-channel, Source)

---

Wiring Diagram



L Load

Fuse value for the load: 4 A