

Product data sheet

Specifications



Discrete I/O module, Modicon M238 logic controller, 16 inputs 24 V DC, 8 output relay, terminal block

TM2DMM24DRF

⚠ Discontinued on: Jan 26, 2021

⚠ Discontinued

Main

Range Of Product	Modicon M238 logic controller
Product Or Component Type	Discrete I/O module
Discrete Input Number	16
Discrete Input Voltage	24 V
Discrete Input Voltage Type	DC
Discrete Output Number	8
Discrete Output Type	Relay

Complementary

Range Compatibility	Twido Advantys OTB
Input Voltage Limits	20.4...28.8 V
Discrete Input Logic	Sink or source
Discrete Input Current	7 mA
Input Impedance	3.4 kOhm
Discrete Output Function	1 NO
Current Per Channel	2 A
Maximum Current Per Output Common	7 A
Number Of Common Point	2 for output 1 for input
Contact Resistance	45 mOhm
Response Time	<= 10 ms from state 0 to state 1 output <= 5 ms from state 1 to state 0 output 4 ms at state 0 input 4 ms at state 1 input
Minimum Switching Current	0.1 mA 0.1 V DC
Isolation Between Channels	None
Isolation Between Channels And Internal Logic	2300 V for 1 minute (output) 500 V for 1 minute (input)
Isolation Between Input Channel And Output Channel	1500 V for 1 minute
Isolation Between Output Channels Group	1500 V for 1 minute
Mechanical Durability	20000000 cycles

Electrical Durability	100000 cycles 0.5 A AC-15 240 V AC cos phi = 0.35 inductive 100000 cycles 1 A AC-15 240 V AC cos phi = 0.7 inductive 100000 cycles 1 A DC-13 24 V DC inductive (L/R = 7 ms) 100000 cycles 2 A 240 V AC resistive 100000 cycles 2 A 30 V DC resistive
Current Consumption	45 mA 24 V DC at state 1 for all input/output 65 mA 5 V DC at state 1 for all input/output
Local Signalling	1 display block
Electrical Connection	1 spring terminal block
Mounting Support	35 mm symmetrical DIN rail
Net Weight	0.31 lb(US) (0.14 kg)

Environment

Depth	2.76 in (70 mm)
Height	3.54 in (90 mm)
Width	1.69 in (42.9 mm)

Packing Units

Unit Type Of Package 1	PCE
Number Of Units In Package 1	1
Package 1 Height	2.76 in (7 cm)
Package 1 Width	4.13 in (10.5 cm)
Package 1 Length	4.92 in (12.5 cm)
Package 1 Weight	8.11 oz (230 g)

Contractual warranty

Warranty	18 months
-----------------	-----------

Sustainability

Green Premium™ label is Schneider Electric's commitment to delivering products with best-in-class environmental performance. Green Premium promises compliance with the latest regulations, transparency on environmental impacts, as well as circular and low-CO₂ products.

Guide to assessing product sustainability is a white paper that clarifies global eco-label standards and how to interpret environmental declarations.

[Learn more about Green Premium >](#)

[Guide to assess a product's sustainability >](#)

Well-being performance

✓ Reach Free Of Svhc

✓ Mercury Free

✓ Rohs Exemption Information [Yes](#)

✓ Pvc Free

Reach Regulation [REACH Declaration](#)

Eu Rohs Directive Pro-active compliance (Product out of EU RoHS legal scope)

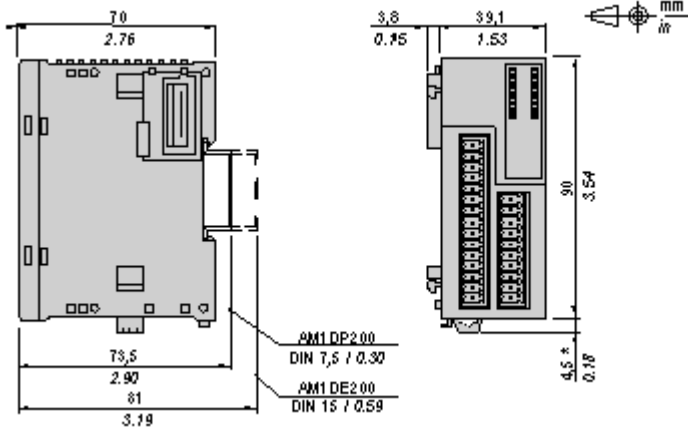
China Rohs Regulation [China RoHS declaration](#)

Weee The product must be disposed on European Union markets following specific waste collection and never end up in rubbish bins

Dimensions Drawings

Digital Mixed I/O Module (24-channel)

Dimensions

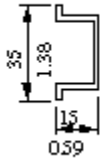


NOTE: * 8.5 mm (0.33 in) when the clamp is pulled out.

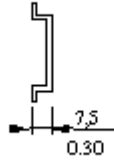
Mounting and Clearance

DIN Rail Mounting

AM1DE200
IEC/EN 60715



AM1DP200



AM1ED200



DZ5MB200

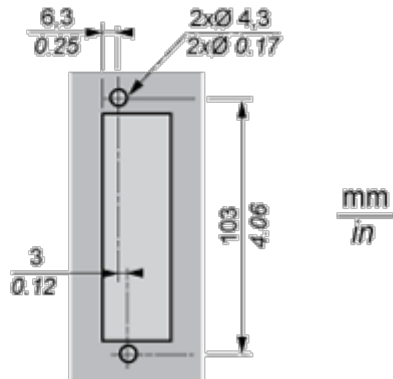
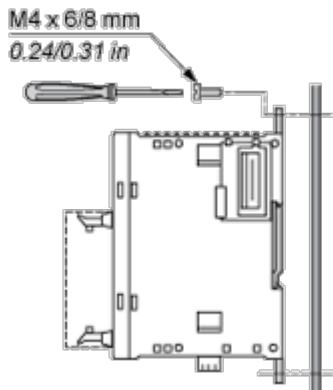


Rail depth	Catalogue part number
15 mm (0.59 in.)	AM1DE200
7,5 mm (0.30 in.)	AM1DP200

NOTE: Do not use AM1ED200 and DZ5MB200

Module Mounting on a Panel Surface

Mounting Hole Layout



Connections and Schema

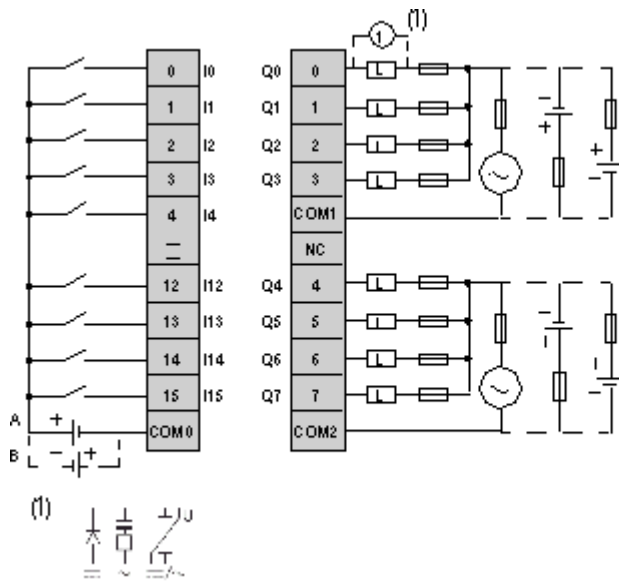
Wiring Requirements

Cable Types and Wire Sizes for Removable Screw Terminal Block

mm ²	0,14...1,5	0,25...0,5	0,25...1,5	0,14...0,5	0,14...0,75	0,25...0,34	0,5
AWG	26...16	24...20	24...16	26...20	26...18	24...22	20

Digital Mixed I/O Module (24-channel)

Wiring Diagram



- A Sink wiring (positive logic)
- B Source wiring (negative logic)

Fuse value for the load: 2 A
 Fuse value for the power supply: 7 A