

# Product datasheet

Specifications



## Discrete input/output module, Modicon M238 logic controller, 4 inputs 24VDC, 4 outputs relay, 1 terminal block

TM2DMM8DRT

! Discontinued - Service only

! To be discontinued on: 30-Jun-2024

! To be end-of-service on: 30-Jun-2024

### Main

Range Of Product	Modicon M238 logic controller
Product Or Component Type	Discrete I/O module
Discrete Input Number	4
Discrete Input Voltage	24 V
Discrete Input Voltage Type	DC
Discrete Output Number	4
Discrete Output Type	Relay

### Complementary

Range Compatibility	Twido Advantys OTB
Input Voltage Limits	20.4...28.8 V
Discrete Input Logic	Sink or source
Discrete Input Current	7 mA
Input Impedance	3.4 kOhm
Discrete Output Function	1 NO
Current Per Channel	2 A
Maximum Current Per Output Common	7 A
Number Of Common Point	1 for output 1 for input
Contact Resistance	45 mOhm
Response Time	<= 10 ms from state 0 to state 1 for output <= 5 ms from state 1 to state 0 for output 4 ms at state 0 for input 4 ms at state 1 for input
Minimum Switching Current	0.1 mA at 0.1 V DC
Isolation Between Channels	None
Isolation Between Channels And Internal Logic	2300 V for 1 minute (output) 500 V for 1 minute (input)
Isolation Between Input Channel And Output Channel	1500 V for 1 minute
Isolation Between Output Channels Group	1500 V for 1 minute

<b>Mechanical Durability</b>	20000000 cycles
<b>Electrical Durability</b>	100000 cycles 0.5 A AC-15 240 V AC cos phi = 0.35 inductive 100000 cycles 1 A AC-15 240 V AC cos phi = 0.7 inductive 100000 cycles 1 A DC-13 24 V DC inductive (L/R = 7 ms) 100000 cycles 2 A 240 V AC resistive 100000 cycles 2 A 30 V DC resistive
<b>Current Consumption</b>	20 mA at 24 V DC at state 1 for all input/output 25 mA at 5 V DC at state 1 for all input/output
<b>Local Signalling</b>	1 display block
<b>Electrical Connection</b>	1 removable screw terminal block
<b>Mounting Support</b>	35 mm symmetrical DIN rail
<b>Net Weight</b>	0.095 kg

## Environment

<b>Depth</b>	70 mm
<b>Height</b>	90 mm
<b>Width</b>	42.9 mm

## Packing Units

<b>Unit Type Of Package 1</b>	PCE
<b>Number Of Units In Package 1</b>	1
<b>Package 1 Height</b>	7.5 cm
<b>Package 1 Width</b>	11 cm
<b>Package 1 Length</b>	13 cm
<b>Package 1 Weight</b>	192 g

## Contractual warranty

<b>Warranty</b>	18 months
-----------------	-----------

## Sustainability

**Green Premium™ label** is Schneider Electric's commitment to delivering products with best-in-class environmental performance. Green Premium promises compliance with the latest regulations, transparency on environmental impacts, as well as circular and low-CO<sub>2</sub> products.

**Guide to assessing product sustainability** is a white paper that clarifies global eco-label standards and how to interpret environmental declarations.

[Learn more about Green Premium >](#)

[Guide to assess a product's sustainability >](#)

## Well-being performance

✓ Reach Free Of Svhc

---

✓ Mercury Free

---

✓ Rohs Exemption Information [Yes](#)

---

✓ Pvc Free

---

**Reach Regulation** [REACH Declaration](#)

---

**Eu Rohs Directive** Pro-active compliance (Product out of EU RoHS legal scope)

---

**China Rohs Regulation** [China RoHS declaration](#)

---

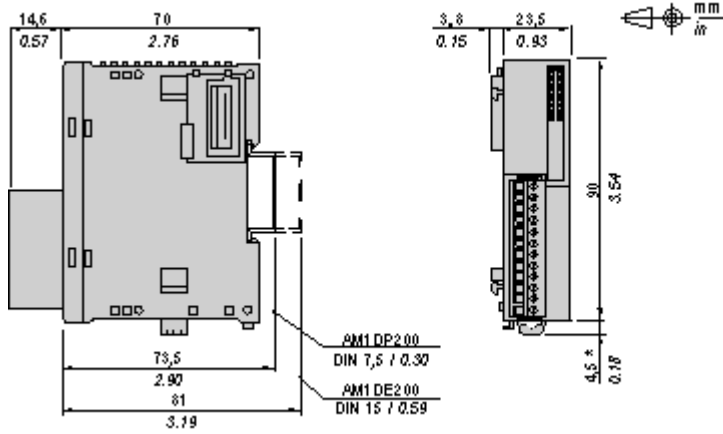
**Weee** The product must be disposed on European Union markets following specific waste collection and never end up in rubbish bins

---

Dimensions Drawings

Digital Mixed I/O Module (8-channel)

Dimensions



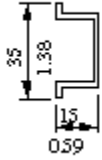
NOTE: \* 8.5 mm (0.33 in) when the clamp is pulled out.

Mounting and Clearance

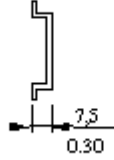
DIN Rail Mounting

---

AM1DE200  
IEC/EN 60715



AM1DP200



AM1ED200



DZ5MB200



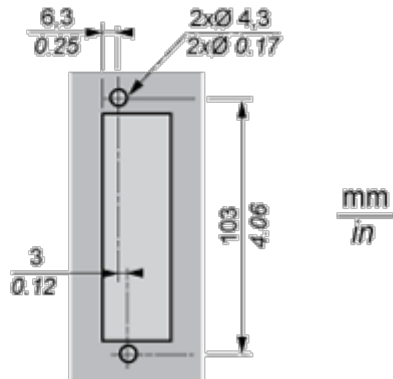
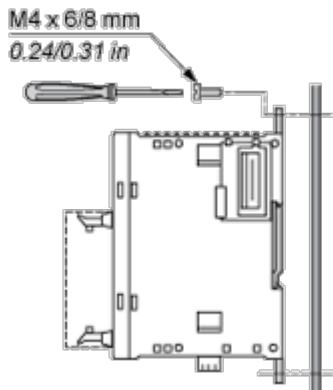
Rail depth	Catalogue part number
15 mm (0.59 in.)	AM1DE200
7,5 mm (0.30 in.)	AM1DP200

NOTE: Do not use AM1ED200 and DZ5MB200

Module Mounting on a Panel Surface

---

Mounting Hole Layout



Connections and Schema

Wiring Requirements

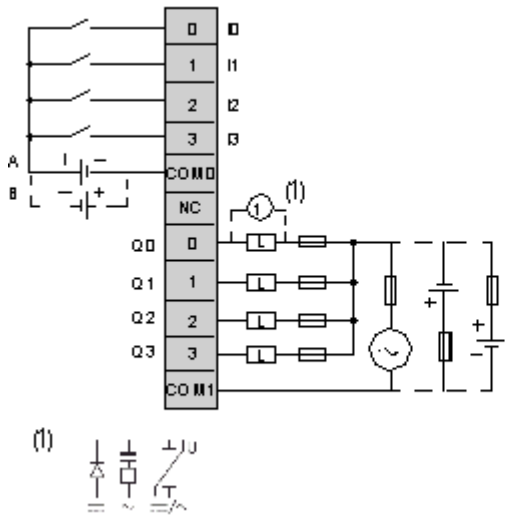
---

Cable Types and Wire Sizes for Removable Screw Terminal Block

mm <sup>2</sup>	0,14...1,5	0,25...0,5	0,25...1,5	0,14...0,5	0,14...0,75	0,25...0,34	0,5
AWG	26...16	24...20	24...16	26...20	26...18	24...22	20

Digital Mixed I/O Module (8-channel)

Wiring Diagram



- A Sink wiring (positive logic)
- B Source wiring (negative logic)
- L Load

Fuse value for the load: 2 A  
 Fuse value for the power supply: 7 A