

# Product data sheet

Specifications



I/O expansion module, Modicon M238 logic controller, Twido, 16 outputs relay, 1 removable screw terminal block, wear part

TM2DRA16RT

! Discontinued

! Discontinued on: Jan 26, 2021

## Main

Range Of Product	Modicon M238 logic controller
Product Or Component Type	I/O expansion module
Discrete Output Number	16
Discrete Output Type	Relay

## Complementary

Range Compatibility	Twido Advantys OTB
Discrete Output Function	1 NO
Current Per Channel	2 A
Maximum Current Per Output Common	8 A
Number Of Common Point	2
Contact Resistance	45 mOhm
Response Time	<= 10 ms from state 0 to state 1 input <= 5 ms from state 1 to state 0 input
Minimum Switching Current	0.1 mA 0.1 V DC
Isolation Between Channels	1500 V for 1 minute
Isolation Between Channels And Internal Logic	2300 V for 1 minute
Isolation Between Output Channels Group	1500 V for 1 minute
Mechanical Durability	20000000 cycles
Electrical Durability	100000 cycles 0.5 A AC-15 240 V AC cos phi = 0.35 inductive 100000 cycles 1 A AC-15 240 V AC cos phi = 0.7 inductive 100000 cycles 1 A DC-13 24 V DC inductive (L/R = 7 ms) 100000 cycles 2 A 240 V AC resistive 100000 cycles 2 A 30 V DC resistive
Current Consumption	30 mA 5 V DC at state 1 for all output 40 mA 24 V DC at state 1 for all output
Local Signalling	1 display block
Electrical Connection	1 removable screw terminal block
Mounting Support	35 mm symmetrical DIN rail
Net Weight	0.32 lb(US) (0.145 kg)

## Environment

---

<b>Depth</b>	3.33 in (84.6 mm)
<b>Height</b>	3.54 in (90 mm)
<b>Width</b>	1.07 in (27.3 mm)

---

## Packing Units

---

<b>Unit Type Of Package 1</b>	PCE
<b>Number Of Units In Package 1</b>	1
<b>Package 1 Height</b>	2.94 in (7.461 cm)
<b>Package 1 Width</b>	4.12 in (10.469 cm)
<b>Package 1 Length</b>	4.90 in (12.445 cm)
<b>Package 1 Weight</b>	8.41 oz (238.4 g)

---

## Contractual warranty

---

<b>Warranty</b>	18 months
-----------------	-----------

---

## Sustainability

**Green Premium™** label is Schneider Electric's commitment to delivering products with best-in-class environmental performance. Green Premium promises compliance with the latest regulations, transparency on environmental impacts, as well as circular and low-CO<sub>2</sub> products.

**Guide to assessing product sustainability** is a white paper that clarifies global eco-label standards and how to interpret environmental declarations.

[Learn more about Green Premium >](#)

[Guide to assess a product's sustainability >](#)

## Well-being performance

✓ Reach Free Of Svhc

---

✓ Mercury Free

---

✓ Rohs Exemption Information [Yes](#)

---

✓ Pvc Free

---

**Reach Regulation** [REACH Declaration](#)

---

**Eu Rohs Directive** Pro-active compliance (Product out of EU RoHS legal scope)

---

**China Rohs Regulation** [China RoHS declaration](#)

---

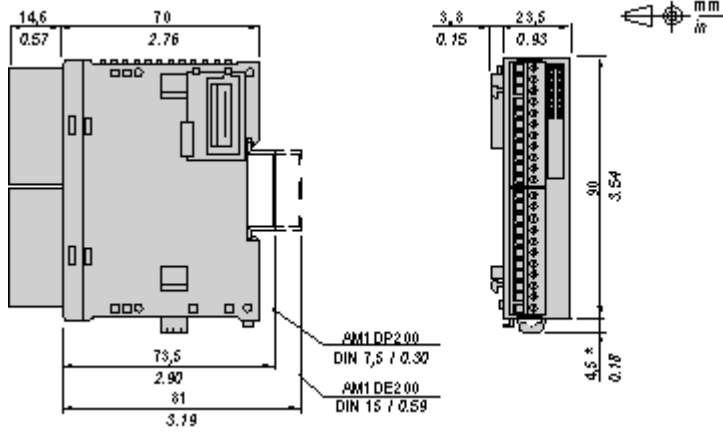
**Weee** The product must be disposed on European Union markets following specific waste collection and never end up in rubbish bins

---

Dimensions Drawings

Digital Relay Output Module (16-contact)

Dimensions



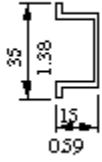
NOTE: \* 8.5 mm (0.33 in) when the clamp is pulled out.

Mounting and Clearance

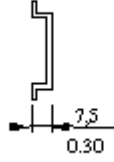
DIN Rail Mounting

---

AM1DE200  
IEC/EN 60715



AM1DP200



AM1ED200



DZ5MB200



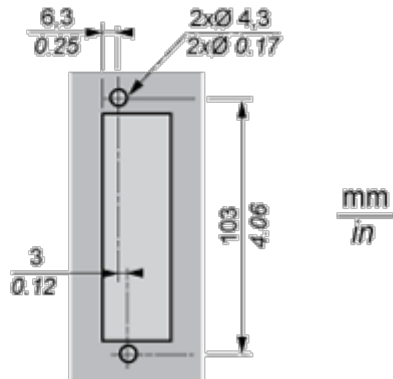
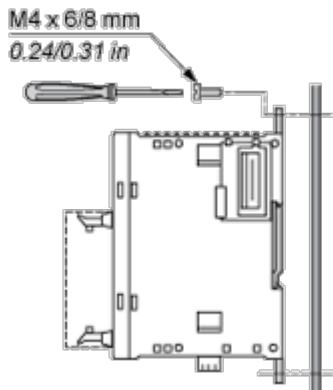
Rail depth	Catalogue part number
15 mm (0.59 in.)	AM1DE200
7,5 mm (0.30 in.)	AM1DP200

NOTE: Do not use AM1ED200 and DZ5MB200

Module Mounting on a Panel Surface

---

Mounting Hole Layout



Connections and Schema

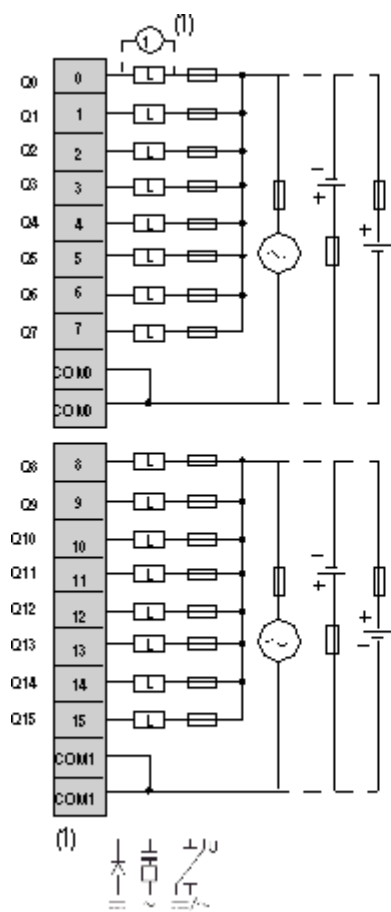
Wiring Requirements

Cable Types and Wire Sizes for Removable Screw Terminal Block

mm <sup>2</sup>	0,14...1,5	0,25...0,5	0,25...1,5	0,14...0,5	0,14...0,75	0,25...0,34	0,5
AWG	26...16	24...20	24...16	26...20	26...18	24...22	20

Digital Relay Output Module (16-contact)

Wiring Diagram



L Load