

Product data sheet

Specifications



bus coupler module, Modicon TM3, distributed IO, optimized, CANopen interface, IP20

TM3BCCO

Main

Range Of Product	Modicon TM3
Product Compatibility	Logic controller Motion controller
Product Or Component Type	I/O distributed module
Product Specific Application	Bus coupler module

Complementary

Communication Port Protocol	CANopen
Connector Type	RJ45 2 CANopen daisy chain isolated USB device port Mini-B
Transmission Rate	20 kbit/s...1 Mbit/s
Topology	Daisy chain
Communication Network Type	CANopen
Communication Service	CANopen slave device profile
Web Services	Web server, USB
Current Consumption	0.8 A 24 V DC internal supply maximum 7 expansion modules
Local Signalling	1 LED green/red PWR (System Status) 1 LED green/red RUN (Run) 1 LED green/red ERR (Error) 1 LED green/red I/O status
Fixing Mode	By clipping locks (rail) By screws (mounting plate)
Product Certifications	CE cULus EAC RCM UKCA EU-RO MR
Standards	IEC 61131-2 UL/CSA 61010-1 UL/CSA 61010-2-201
Width	1.06 in (27 mm)
Height	3.80 in (96.5 mm)
Depth	2.76 in (70 mm)
Net Weight	0.22 lb(US) (0.10 kg)

Environment

Ambient Air Temperature For Storage	-13...158 °F (-25...70 °C)
-------------------------------------	----------------------------

Pollution Degree	2
Ambient Air Temperature For Operation	14...140 °F (-10...60 °C)
Ip Degree Of Protection	IP20 IEC/EN 61010-2-201
Relative Humidity	10...95 % non-condensing
Operating Altitude	0...2000 m
Storage Altitude	0.00...9842.52 ft (0...3000 m)
Vibration Resistance	3M4 35 x 15 mm symmetrical DIN rail

Packing Units

Unit Type Of Package 1	PCE
Number Of Units In Package 1	1
Package 1 Height	2.95 in (7.5 cm)
Package 1 Width	4.13 in (10.5 cm)
Package 1 Length	4.92 in (12.5 cm)
Package 1 Weight	6.00 oz (170 g)

Sustainability

Green Premium™ label is Schneider Electric's commitment to delivering products with best-in-class environmental performance. Green Premium promises compliance with the latest regulations, transparency on environmental impacts, as well as circular and low-CO₂ products.

Guide to assessing product sustainability is a white paper that clarifies global eco-label standards and how to interpret environmental declarations.

[Learn more about Green Premium >](#)

[Guide to assess a product's sustainability >](#)



Transparency RoHS/REACH

Well-being performance

Mercury Free

Rohs Exemption Information Yes

Certifications & Standards

Reach Regulation [REACH Declaration](#)

Eu Rohs Directive Pro-active compliance (Product out of EU RoHS legal scope)

China Rohs Regulation [China RoHS declaration](#)

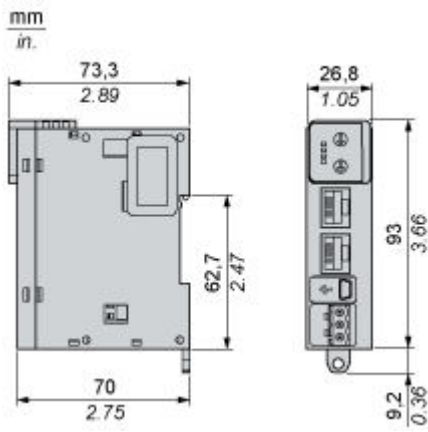
Environmental Disclosure [Product Environmental Profile](#)

Circularity Profile [End of Life Information](#)

Dimensions Drawings

Dimensions

Side and Front Views



Mounting and Clearance

Spacing Requirements

