

Product data sheet

Specifications



distributed IO module, Modicon TM3, IP20 optimized bus coupler, Ethernet interface

TM3BCEIP

Main

Range Of Product	Modicon TM3
Product Compatibility	Logic controller Motion controller
Product Or Component Type	I/O distributed module
Product Specific Application	Bus coupler module

Complementary

Communication Port Protocol	Ethernet IP/Modbus TCP
Connector Type	RJ45 2 Ethernet daisy chain isolated USB device port Mini-B
Exchange Mode	Half duplex, full duplex, autonegotiation
Transmission Rate	10/100 Mbit/s
Topology	Daisy chain
Port Ethernet	10/100BASE-T
Communication Network Type	Ethernet IP Modbus TCP IPv4 (internet protocol)
Communication Service	Ethernet/IP adapter Modbus TCP/IP server RSTP (Ring topology support) SNMP Web server DHCP client BOOTP Address conflict detection FTP server
Web Services	Web server, Ethernet Web server, USB
Current Consumption	0.8 A 24 V DC internal supply maximum 7 expansion modules
Local Signalling	1 LED green/red PWR (System Status) 1 LED green/red MS (Module Status) 1 LED green/red NS (Network Status) 1 LED green/red I/O status
Fixing Mode	By clipping locks (rail) By screws (mounting plate)
Product Certifications	CE cULus EAC RCM UKCA EU-RO MR

Disclaimer: This documentation is not intended as a substitute for and is not to be used for determining suitability or reliability of these products for specific user applications

Standards	IEC 61131-2 UL/CSA 61010-1 UL/CSA 61010-2-201
Width	1.06 in (27 mm)
Height	3.80 in (96.5 mm)
Depth	2.76 in (70 mm)
Net Weight	0.22 lb(US) (0.10 kg)

Environment

Ambient Air Temperature For Storage	-13...158 °F (-25...70 °C)
Pollution Degree	2
Ambient Air Temperature For Operation	14...140 °F (-10...60 °C)
Ip Degree Of Protection	IP20 IEC/EN 61010-2-201
Relative Humidity	10...95 % non-condensing
Operating Altitude	0...2000 m
Storage Altitude	0.00...9842.52 ft (0...3000 m)
Vibration Resistance	3M4 35 x 15 mm symmetrical DIN rail

Packing Units

Unit Type Of Package 1	PCE
Number Of Units In Package 1	1
Package 1 Height	2.91 in (7.400 cm)
Package 1 Width	4.09 in (10.400 cm)
Package 1 Length	4.88 in (12.400 cm)
Package 1 Weight	6.07 oz (172.000 g)
Unit Type Of Package 2	S03
Number Of Units In Package 2	18
Package 2 Height	11.81 in (30.000 cm)
Package 2 Width	11.81 in (30.000 cm)
Package 2 Length	15.75 in (40.000 cm)
Package 2 Weight	8.47 lb(US) (3.840 kg)

Sustainability

Green Premium™ label is Schneider Electric's commitment to delivering products with best-in-class environmental performance. Green Premium promises compliance with the latest regulations, transparency on environmental impacts, as well as circular and low-CO₂ products.

Guide to assessing product sustainability is a white paper that clarifies global eco-label standards and how to interpret environmental declarations.

[Learn more about Green Premium >](#)

[Guide to assess a product's sustainability >](#)



Transparency RoHS/REACH

Well-being performance

Mercury Free

Rohs Exemption Information Yes

Pvc Free

Certifications & Standards

Reach Regulation [REACH Declaration](#)

Eu Rohs Directive Pro-active compliance (Product out of EU RoHS legal scope)

China Rohs Regulation [China RoHS declaration](#)

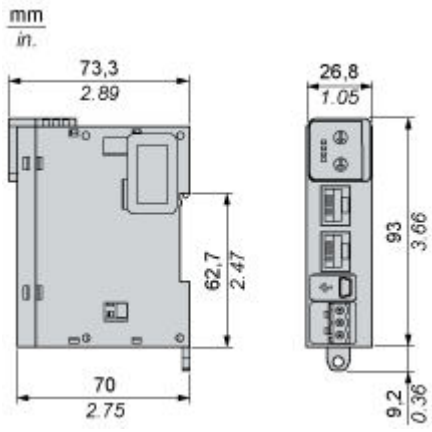
Environmental Disclosure [Product Environmental Profile](#)

Circularity Profile [End of Life Information](#)

Dimensions Drawings

Dimensions

Side and Front Views



Mounting and Clearance

Spacing Requirements

