

# Product data sheet

Specifications



discrete IO module, Modicon TM3,  
24 IO, 16 inputs, 8 relay outputs,  
screw, 24V DC

TM3DM24R

## Main

Range Of Product	Modicon TM3
Product Or Component Type	Discrete I/O module
Range Compatibility	Modicon M241 Modicon M251 Modicon M221 Modicon M262
Discrete Input Number	16 input IEC 61131-2 Type 1
Discrete Input Logic	Sink or source (positive/negative)
Discrete Input Voltage	24 V
Discrete Input Current	7 mA input
Discrete Output Type	Relay normally open
Discrete Output Number	8
Discrete Output Logic	Positive or negative
Discrete Output Voltage	24 V DC relay output 240 V AC relay output
Discrete Output Current	2000 mA relay output

## Complementary

Discrete I/O Number	24
Current Consumption	5 mA 5 V DC via bus connector at state off) 0 mA 24 V DC via bus connector at state on) 0 mA 24 V DC via bus connector at state off) 65 mA 5 V DC via bus connector at state on)
Discrete Input Voltage Type	DC
Voltage State 1 Guaranteed	15...28.8 V input
Current State 1 Guaranteed	>= 2.5 mA input)
Voltage State 0 Guaranteed	0...5 V input
Current State 0 Guaranteed	<= 1 mA input)
Input Impedance	3.4 kOhm
Response Time	4 ms turn-on) 4 ms turn-off)
Maximum Current Per Output Common	7 A
Mechanical Durability	20000000 cycles
Minimum Load	10 mA 5 V DC relay output
Local Signalling	I/O state 1 LED per channel green)

<b>Electrical Connection</b>	17 x 1.5 mm <sup>2</sup> removable screw terminal block pitch 3.81 mm for inputs 11 x 1.5 mm <sup>2</sup> removable screw terminal block pitch 3.81 mm for outputs
<b>Maximum Cable Distance Between Devices</b>	Unshielded cable <98.43 ft (30 m) regular input
<b>Insulation</b>	Between input and internal logic 500 V AC Non-insulated between inputs Between input groups and output groups 1500 V AC Between open contact 750 V AC Between output and internal logic 500 V AC Non-insulated between outputs
<b>Marking</b>	CE
<b>Mounting Support</b>	Top hat type TH35-15 rail IEC 60715 Top hat type TH35-7.5 rail IEC 60715 plate or panel with fixing kit
<b>Height</b>	3.54 in (90 mm)
<b>Depth</b>	3.33 in (84.6 mm)
<b>Width</b>	1.69 in (42.9 mm)

## Environment

<b>Standards</b>	IEC 61131-2
<b>Product Certifications</b>	cULus CE UKCA RCM EAC cULus HazLoc
<b>Resistance To Electrostatic Discharge</b>	8 kV in air IEC 61000-4-2 4 kV on contact IEC 61000-4-2
<b>Resistance To Electromagnetic Fields</b>	9.14 V/yd (10 V/m) 80 MHz...1 GHz IEC 61000-4-3 2.74 V/yd (3 V/m) 1.4 GHz...2 GHz IEC 61000-4-3 0.91 V/yd (1 V/m) 2 GHz...3 GHz IEC 61000-4-3
<b>Resistance To Magnetic Fields</b>	98.43 A/ft (30 A/m) 50/60 Hz IEC 61000-4-8
<b>Resistance To Fast Transients</b>	1 kV I/O IEC 61000-4-4 2 kV relay output IEC 61000-4-4
<b>Surge Withstand</b>	2 kV output common mode IEC 61000-4-5 1 kV input common mode IEC 61000-4-5
<b>Resistance To Conducted Disturbances</b>	10 V 0.15...80 MHz IEC 61000-4-6 3 V spot frequency (2, 3, 4, 6.2, 8.2, 12.6, 16.5, 18.8, 22, 25 MHz) Marine specification (LR, ABS, DNV, GL)
<b>Electromagnetic Emission</b>	Radiated emissions 40 dB $\mu$ V/m QP class A 10 m)30...230 MHz IEC 55011 Radiated emissions 47 dB $\mu$ V/m QP class A 10 m)230...1000 MHz IEC 55011
<b>Ambient Air Temperature For Operation</b>	14...95 °F (-10...35 °C) vertical installation 14...131 °F (-10...55 °C) horizontal installation
<b>Ambient Air Temperature For Storage</b>	-13...158 °F (-25...70 °C)
<b>Relative Humidity</b>	10...95 %, without condensation in operation) 10...95 %, without condensation in storage)
<b>IP Degree Of Protection</b>	IP20 with protective cover in place
<b>Pollution Degree</b>	2
<b>Operating Altitude</b>	0...2000 m
<b>Storage Altitude</b>	0.00...9842.52 ft (0...3000 m)
<b>Vibration Resistance</b>	3.5 mm 5...8.4 Hz DIN rail 3 gn 8.4...150 Hz DIN rail 3.5 mm 5...8.4 Hz panel 3 gn 8.4...150 Hz panel

---

Shock Resistance	15 gn 11 ms
------------------	-------------

---

## Packing Units

---

Unit Type Of Package 1	PCE
------------------------	-----

---

Number Of Units In Package 1	1
------------------------------	---

---

Package 1 Height	2.97 in (7.551 cm)
------------------	--------------------

---

Package 1 Width	4.21 in (10.686 cm)
-----------------	---------------------

---

Package 1 Length	5.06 in (12.849 cm)
------------------	---------------------

---

Package 1 Weight	9.91 oz (281.0 g)
------------------	-------------------

---

Unit Type Of Package 2	CAR
------------------------	-----

---

Number Of Units In Package 2	42
------------------------------	----

---

Package 2 Height	12.05 in (30.6 cm)
------------------	--------------------

---

Package 2 Width	15.79 in (40.1 cm)
-----------------	--------------------

---

Package 2 Length	22.68 in (57.6 cm)
------------------	--------------------

---

Package 2 Weight	27.80 lb(US) (12.61 kg)
------------------	-------------------------

---

Unit Type Of Package 3	P12
------------------------	-----

---

Number Of Units In Package 3	504
------------------------------	-----

---

Package 3 Height	41.34 in (105 cm)
------------------	-------------------

---

Package 3 Width	47.24 in (120 cm)
-----------------	-------------------

---

Package 3 Length	31.50 in (80 cm)
------------------	------------------

---

Package 3 Weight	317.47 lb(US) (144 kg)
------------------	------------------------

---

## Sustainability

**Green Premium™ label** is Schneider Electric's commitment to delivering products with best-in-class environmental performance. Green Premium promises compliance with the latest regulations, transparency on environmental impacts, as well as circular and low-CO<sub>2</sub> products.

**Guide to assessing product sustainability** is a white paper that clarifies global eco-label standards and how to interpret environmental declarations.

[Learn more about Green Premium >](#)

[Guide to assess a product's sustainability >](#)



Transparency RoHS/REACH

## Well-being performance

✓ Reach Free Of Svhc

✓ Toxic Heavy Metal Free

✓ Mercury Free

✓ Rohs Exemption Information Yes

✓ Pvc Free

## Certifications & Standards

**Reach Regulation**

[REACH Declaration](#)

**Eu Rohs Directive**

Pro-active compliance (Product out of EU RoHS legal scope)

[EU RoHS Declaration](#)

**China Rohs Regulation**

[China RoHS declaration](#)

**Environmental Disclosure**

[Product Environmental Profile](#)

**Weee**

The product must be disposed on European Union markets following specific waste collection and never end up in rubbish bins

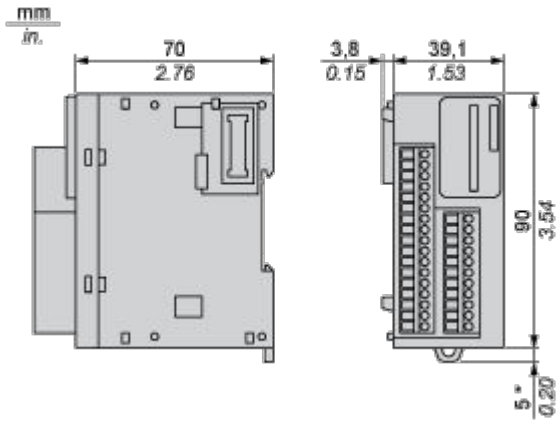
**Circularity Profile**

[End of Life Information](#)

Dimensions Drawings

Dimensions

---

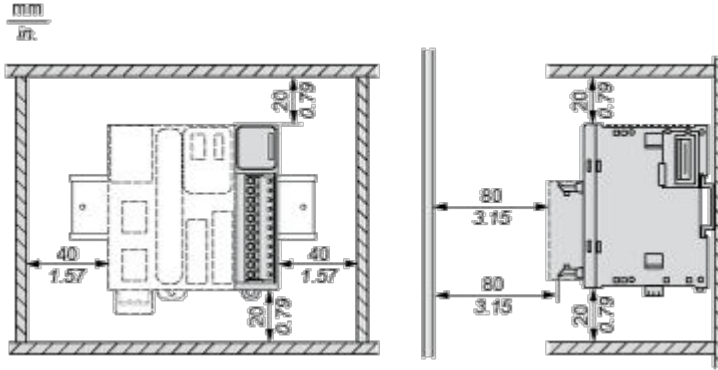


(\*) 8.5 mm/0.33 in. when the clamp is pulled out.

Mounting and Clearance

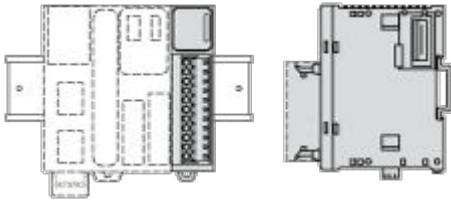
Spacing Requirements

---

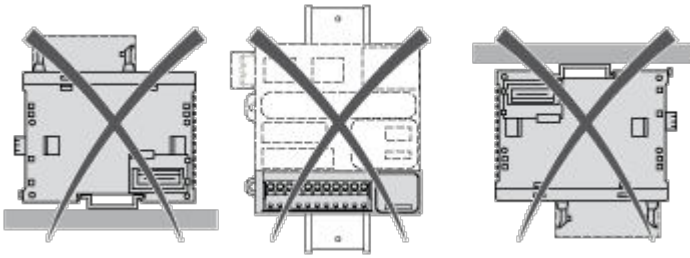


Mounting on a Rail

---



**Incorrect Mounting**

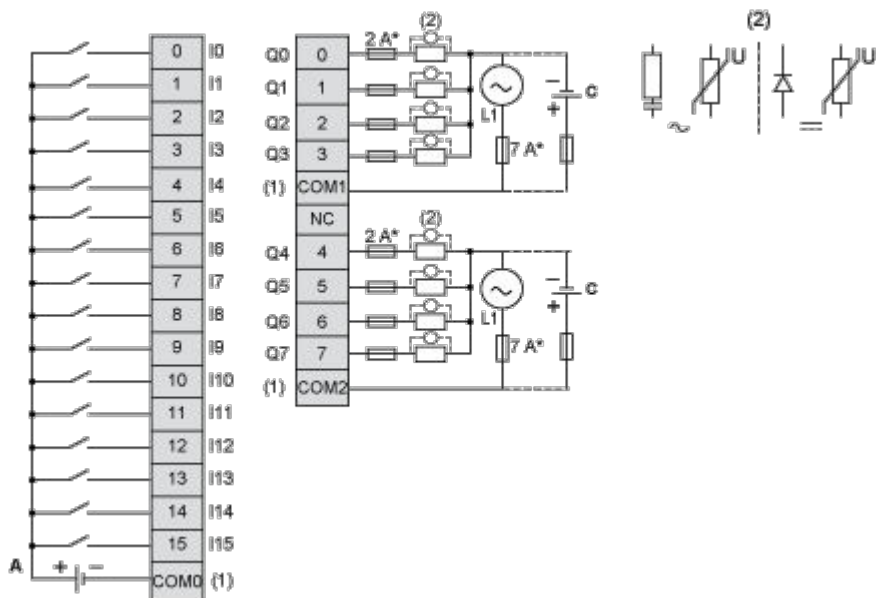




Connections and Schema

Digital Mixed I/O Module (24-channel)

Wiring Diagram (Source)



(\*) Type T fuse

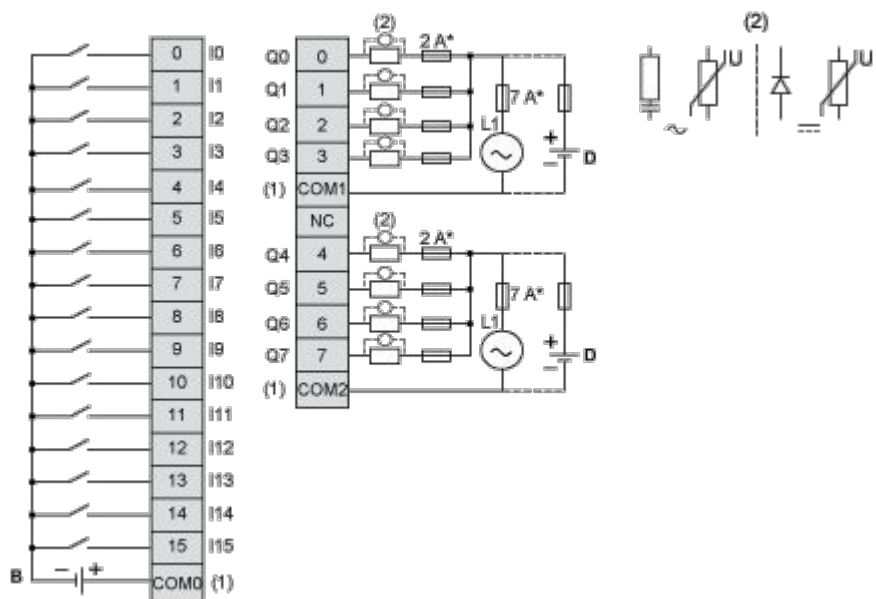
(1) The COM0, COM1 and COM2 terminals are **not** connected internally.

(2) To improve the life time of the contacts, and to protect from potential inductive load damage, it is recommended to connect a free wheeling diode in parallel to each inductive DC load or an RC snubber in parallel of each inductive AC load.

(A) Sink wiring (positive logic)

(C) Source wiring (positive logic)

Wiring Diagram (Sink)



(\*) Type T fuse

(1) The COM0, COM1 and COM2 terminals are **not** connected internally.

(2) To improve the life time of the contacts, and to protect from potential inductive load damage, it is recommended to connect a free wheeling diode in parallel to each inductive DC load or an RC snubber in parallel of each inductive AC load.

(B) Source wiring (negative logic)

(D) Sink wiring (negative logic)