

Product data sheet

Specifications



discrete output module, Modicon TM3, 8 outputs transistor NPN, screw

TM3DQ8U

Main

| | |
|---------------------------|--|
| Range Of Product | Modicon TM3 |
| Product Or Component Type | Discrete output module |
| Range Compatibility | Modicon M241 Modicon M251 Modicon M221 Modicon M262 |
| Discrete Output Type | Transistor |
| Discrete Output Number | 8 |
| Discrete Output Logic | Negative logic (sink) |
| Discrete Output Voltage | 24 V DC transistor output |
| Discrete Output Current | 50 mA transistor output |

Complementary

| | |
|--|--|
| Discrete I/O Number | 8 |
| Current Consumption | 5 mA 5 V DC via bus connector at state off) 0 mA 24 V DC via bus connector at state off) 20 mA 24 V DC via bus connector at state on) 10 mA 5 V DC via bus connector at state on) |
| Response Time | 450 µs turn-on) 450 µs turn-off) |
| Maximum Leakage Current | 0.1 mA transistor output |
| Maximum Voltage Drop | <0.4 V |
| Local Signalling | Output status 1 LED per channel green) |
| Electrical Connection | 11 x 2.5 mm ² removable screw terminal block pitch 5.08 mm for outputs |
| Maximum Cable Distance Between Devices | Unshielded cable <98.43 ft (30 m) transistor output |
| Insulation | Between output and internal logic 500 V AC Non-insulated between outputs |
| Marking | CE |
| Mounting Support | Top hat type TH35-15 rail IEC 60715 Top hat type TH35-7.5 rail IEC 60715 plate or panel with fixing kit |
| Height | 3.54 in (90 mm) |
| Depth | 3.33 in (84.6 mm) |
| Width | 1.08 in (27.4 mm) |
| Net Weight | 1.68 lb(US) (0.76 kg) |

Environment

| | |
|--|--|
| Standards | IEC 61131-2 |
| Product Certifications | CE cULus UKCA RCM EAC cULus HazLoc |
| Resistance To Electrostatic Discharge | 8 kV in air IEC 61000-4-2 4 kV on contact IEC 61000-4-2 |
| Resistance To Electromagnetic Fields | 9.14 V/yd (10 V/m) 80 MHz...1 GHz IEC 61000-4-3 2.74 V/yd (3 V/m) 1.4 GHz...2 GHz IEC 61000-4-3 0.91 V/yd (1 V/m) 2 GHz...3 GHz IEC 61000-4-3 |
| Resistance To Magnetic Fields | 98.43 A/ft (30 A/m) 50/60 Hz IEC 61000-4-8 |
| Resistance To Fast Transients | 1 kV I/O IEC 61000-4-4 |
| Surge Withstand | 1 kV I/O common mode IEC 61000-4-5 DC |
| Resistance To Conducted Disturbances | 10 V 0.15...80 MHz IEC 61000-4-6 3 V spot frequency (2, 3, 4, 6.2, 8.2, 12.6, 16.5, 18.8, 22, 25 MHz) Marine specification (LR, ABS, DNV, GL) |
| Electromagnetic Emission | Radiated emissions 40 dB μ V/m QP class A 10 m)30...230 MHz IEC 55011 Radiated emissions 47 dB μ V/m QP class A 10 m)230...1000 MHz IEC 55011 |
| Ambient Air Temperature For Operation | 14...95 °F (-10...35 °C) vertical installation 14...131 °F (-10...55 °C) horizontal installation |
| Ambient Air Temperature For Storage | -13...158 °F (-25...70 °C) |
| Relative Humidity | 10...95 %, without condensation in operation) 10...95 %, without condensation in storage) |
| IP Degree Of Protection | IP20 with protective cover in place |
| Pollution Degree | 2 |
| Operating Altitude | 0...2000 m |
| Storage Altitude | 0.00...9842.52 ft (0...3000 m) |
| Vibration Resistance | 3.5 mm 5...8.4 Hz DIN rail 3 gn 8.4...150 Hz DIN rail 3.5 mm 5...8.4 Hz panel 3 gn 8.4...150 Hz panel |
| Shock Resistance | 15 gn 11 ms |

Packing Units

| | |
|-------------------------------------|------------------------|
| Unit Type Of Package 1 | PCE |
| Number Of Units In Package 1 | 1 |
| Package 1 Height | 2.95 in (7.5 cm) |
| Package 1 Width | 4.92 in (12.5 cm) |
| Package 1 Length | 4.13 in (10.5 cm) |
| Package 1 Weight | 8.11 oz (230.0 g) |
| Unit Type Of Package 2 | S02 |
| Number Of Units In Package 2 | 9 |
| Package 2 Height | 5.91 in (15 cm) |
| Package 2 Width | 11.81 in (30 cm) |
| Package 2 Length | 15.75 in (40 cm) |
| Package 2 Weight | 5.35 lb(US) (2.427 kg) |

| | |
|-------------------------------------|--------------------------|
| Unit Type Of Package 3 | P06 |
| Number Of Units In Package 3 | 144 |
| Package 3 Height | 29.53 in (75 cm) |
| Package 3 Width | 15.75 in (40 cm) |
| Package 3 Length | 31.50 in (80 cm) |
| Package 3 Weight | 55.24 lb(US) (25.058 kg) |

Sustainability

Green Premium™ label is Schneider Electric's commitment to delivering products with best-in-class environmental performance. Green Premium promises compliance with the latest regulations, transparency on environmental impacts, as well as circular and low-CO₂ products.

Guide to assessing product sustainability is a white paper that clarifies global eco-label standards and how to interpret environmental declarations.

[Learn more about Green Premium >](#)

[Guide to assess a product's sustainability >](#)



Transparency RoHS/REACH

Well-being performance

Reach Free Of Svhc

Toxic Heavy Metal Free

Mercury Free

Rohs Exemption Information Yes

Pvc Free

Certifications & Standards

Reach Regulation

[REACH Declaration](#)

Eu Rohs Directive

Pro-active compliance (Product out of EU RoHS legal scope)

[EU RoHS Declaration](#)

China Rohs Regulation

[China RoHS declaration](#)

Environmental Disclosure

[Product Environmental Profile](#)

Weee

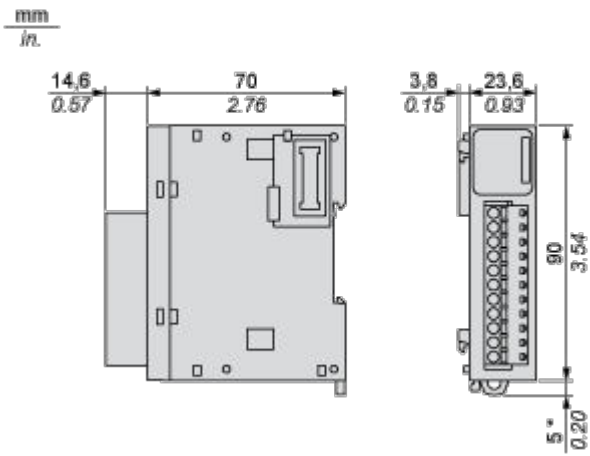
The product must be disposed on European Union markets following specific waste collection and never end up in rubbish bins

Circularity Profile

[End of Life Information](#)

Dimensions Drawings

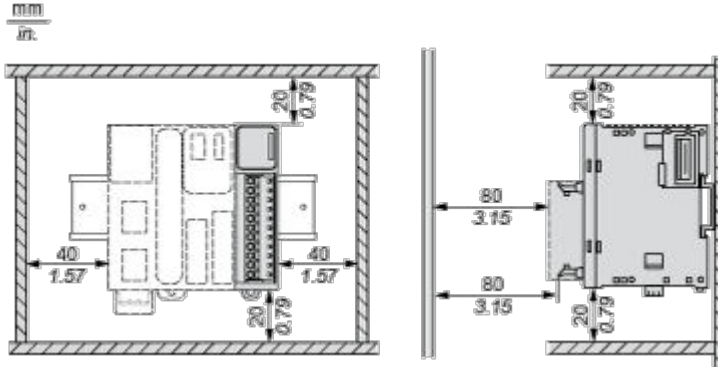
Dimensions



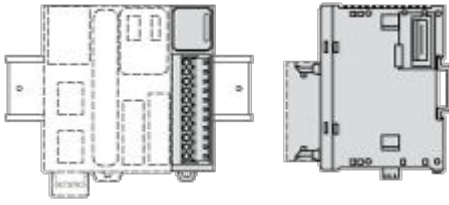
(*) 8.5 mm/0.33 in. when the clamp is pulled out.

Mounting and Clearance

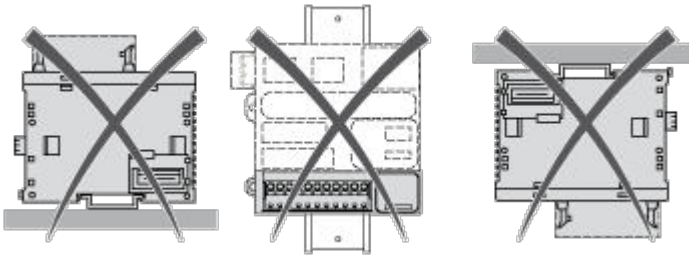
Spacing Requirements



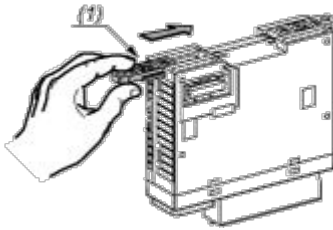
Mounting on a Rail



Incorrect Mounting

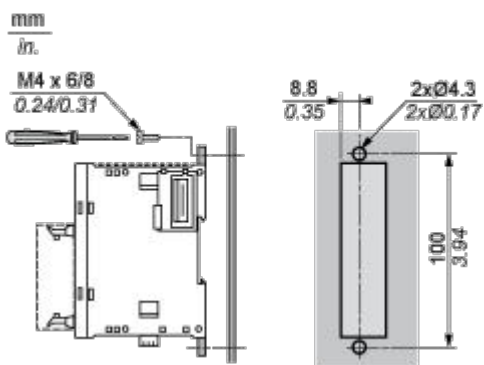


Mounting on a Panel Surface



- (1) Install a mounting strip

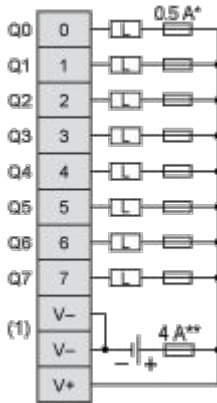
Mounting Hole Layout



Connections and Schema

Digital Transistor Output Module (8-channel, Sink)

Wiring Diagram



(*) Type T Fuse

(**) Type F fuse

(1) The V- terminals are connected internally.