

Product data sheet

Specifications



counter module, Modicon TM3,
high speed, 2 channels HSC event
management, 10 inputs, 8 outputs,
screw

TM3XFHSC202

Main

Range Of Product	Modicon TM3
Product Or Component Type	Module high speed counting
Range Compatibility	Modicon M262
[Us] Rated Supply Voltage	24 V DC external supply - 15...20 %)
Number Of Input Channels	10
Number Of Output Channels	8
Discrete I/O Number	18

Complementary

Current Consumption	100 mA 5 V DC 50 mA 24 V DC
Counting Frequency	200 kHz
Discrete Input Voltage	24 V DC
Electrical Circuit Type	Standard input Latch input
Discrete Input Logic	Sink or source
Output Voltage	24 V DC transistor output
Output Voltage Limits	30 V DC
Discrete Output Current	300 mA fast output Q0...Q7)
Discrete Output Logic	Source
Output Protection Type	Against overload and short-circuits
Reset	Automatic reset
Local Signalling	1 LED I/O 1 LED RUN 1 LED ERR
Mounting Support	Top hat type TH35-15 rail IEC 60715 Top hat type TH35-7.5 rail IEC 60715 plate or panel with fixing kit
Services	HSC simple One shot/Modulo HSC main single phase One shot/Modulo/Event counting HSC main dual phase Modulo/Free-large Period meter Edge to Edge, Edge to Opposite
Counting Mode	2 main expert function (main counting function, frequency meter, period meter) Max 8 simple counting function
Event Management	8 maximum per PLC <= 100 µs Thresholds < 10 µs
Height	3.54 in (90 mm)

Depth	3.35 in (85 mm)
Width	1.54 in (39 mm)
Net Weight	5.29 oz (150 g)

Environment

Product Certifications	CSA cULus IACS E10 RCM CE UKCA EAC
Standards	CSA C22.2 No 142 ANSI/ISA 12-12-01 UL 1604 CSA C22.2 No 213 EN/IEC 61131-2:2007 UL 508
Resistance To Electrostatic Discharge	8 kV in air EN/IEC 61000-4-2 4 kV on contact EN/IEC 61000-4-2
Resistance To Electromagnetic Fields	9.14 V/yd (10 V/m) 80 MHz...1 GHz EN/IEC 61000-4-3 2.74 V/yd (3 V/m) 1.4 GHz...2 GHz EN/IEC 61000-4-3 0.91 V/yd (1 V/m) 2 GHz...3 GHz EN/IEC 61000-4-3
Resistance To Fast Transients	2 kV alimentation cable EN/IEC 61000-4-4 1 kV Ethernet line EN/IEC 61000-4-4 1 kV serial link EN/IEC 61000-4-4 1 kV input EN/IEC 61000-4-4 1 kV transistor output EN/IEC 61000-4-4
Resistance To Conducted Disturbances	10 V 0.15...80 MHz EN/IEC 61000-4-4
Electromagnetic Emission	Conducted emissions 120...69 dB μ V/m QP10...150 kHz EN/IEC 55011 Conducted emissions 63 dB μ V/m QP1.5...30 MHz EN/IEC 55011 Radiated emissions 40 dB μ V/m class A30...230 MHz EN/IEC 55011 Conducted emissions 79...63 dB μ V/m QP150...1500 kHz EN/IEC 55011 Radiated emissions 47 dB μ V/m class A230...1000 MHz EN/IEC 55011
Ambient Air Temperature For Operation	-4...140 °F (-20...60 °C) horizontal installation -4...122 °F (-20...50 °C) vertical installation
Ambient Air Temperature For Storage	-40...185 °F (-40...85 °C)
Relative Humidity	10...95 %, without condensation in operation) 10...95 %, without condensation in storage)
Ip Degree Of Protection	IP20 with protective cover in place
Pollution Degree	2
Operating Altitude	0...2000 m
Storage Altitude	0.00...9842.52 ft (0...3000 m)
Vibration Resistance	3.5 mm 2...8.4 Hz DIN rail 1 gn 8.4...200 Hz DIN rail 3.5 mm 2...8.4 Hz panel 1 gn 8.4...200 Hz panel
Shock Resistance	15 gn 11 ms

Packing Units

Unit Type Of Package 1	PCE
Number Of Units In Package 1	1
Package 1 Height	4.09 in (10.4 cm)
Package 1 Width	4.88 in (12.4 cm)

Package 1 Length	2.83 in (7.2 cm)
Package 1 Weight	11.29 oz (320.0 g)
Unit Type Of Package 2	S03
Number Of Units In Package 2	18
Package 2 Height	11.81 in (30 cm)
Package 2 Width	11.81 in (30 cm)
Package 2 Length	15.75 in (40 cm)
Package 2 Weight	12.70 lb(US) (5.76 kg)
Unit Type Of Package 3	P06
Number Of Units In Package 3	144
Package 3 Height	29.53 in (75 cm)
Package 3 Width	23.62 in (60 cm)
Package 3 Length	31.50 in (80 cm)
Package 3 Weight	98.19 lb(US) (44.54 kg)

Sustainability

Green Premium™ label is Schneider Electric's commitment to delivering products with best-in-class environmental performance. Green Premium promises compliance with the latest regulations, transparency on environmental impacts, as well as circular and low-CO₂ products.

Guide to assessing product sustainability is a white paper that clarifies global eco-label standards and how to interpret environmental declarations.

[Learn more about Green Premium >](#)

[Guide to assess a product's sustainability >](#)



Transparency RoHS/REACH

Well-being performance

Mercury Free

Rohs Exemption Information Yes

Pvc Free

Certifications & Standards

Reach Regulation

[REACH Declaration](#)

Eu Rohs Directive

Pro-active compliance (Product out of EU RoHS legal scope)

China Rohs Regulation

[China RoHS declaration](#)

Environmental Disclosure

[Product Environmental Profile](#)

Weee

The product must be disposed on European Union markets following specific waste collection and never end up in rubbish bins

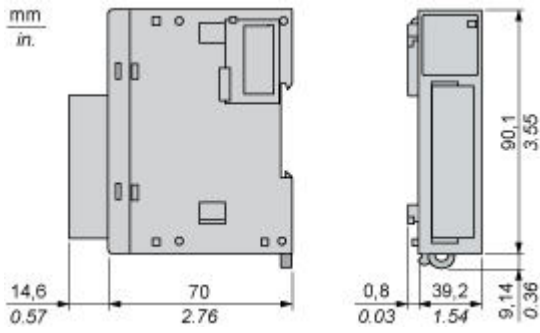
Circularity Profile

[End of Life Information](#)

Dimensions Drawings

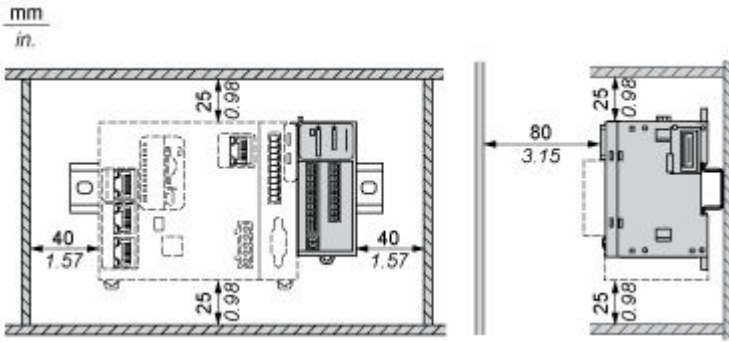
Dimensions

Side and Front Views

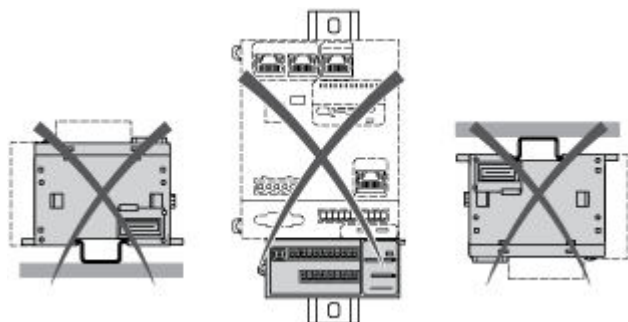


Mounting and Clearance

Spacing Requirements



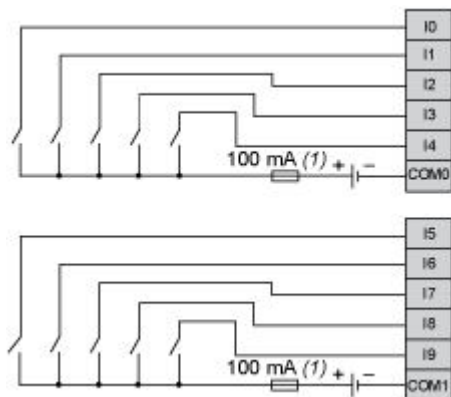
Incorrect Mounting



Connections and Schema

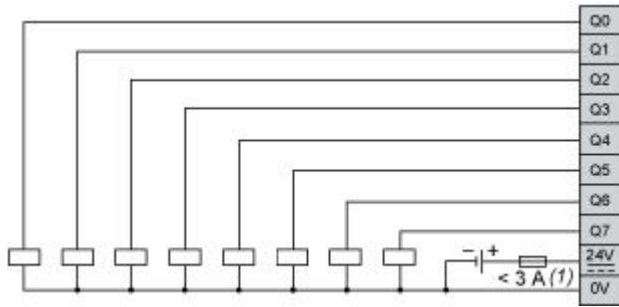
Wiring Diagram

Wiring Inputs



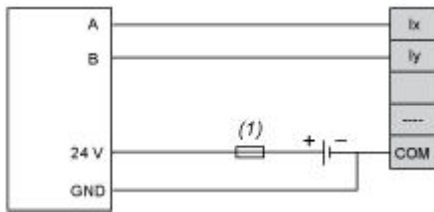
(1) : Type T fuse

Wiring Outputs



(1) : Connect an appropriate type T fuse for the load, not to exceed 3 A

Encoder Wiring



(1) : Refer to the encoder documentation for fuse sizing