

# Product data sheet

Specifications



discrete output module, Modicon TM5, 4 DO, 30V DC, 230V AC, 5A, relay, 4 changeover

TM5SDO4R

## Main

Range Of Product	Modicon TM5
Product Or Component Type	Discrete output module
Discrete Output Number	4
Discrete Output Type	Relay

## Complementary

Range Compatibility	PacDrive LMC motion controller
Product Compatibility	PacDrive LMC Pro 2 PacDrive LMC Eco PacDrive LMC Pro
Output Voltage	230 V AC 30 V DC
Output Voltage Limits	184...276 V AC 24...36 V DC
Discrete Output Function	4 NO
Current Per Channel	5 A
Maximum Current Per Output Common	10 A
Colour	Black
Response Time	<= 10 ms from state 0 to state 1 output <= 10 ms from state 1 to state 0 output
Protection Type	Reverse polarity protection Without short-circuit protection Without overload protection
Isolation	No insulation between channels 500 Vrms AC insulation between channel and bus
Mechanical Durability	20000000 cycles
Electrical Durability	500000 cycles 5 A
Current Consumption	160 mA 5 V DC bus
Maximum Power Dissipation In W	2.3 W
Marking	CE
Net Weight	0.06 lb(US) (0.025 kg)

## Environment

Standards	CSA C22.2 No 213 UL 508 IEC 61131-2 CSA C22.2 No 142
-----------	---

<b>Product Certifications</b>	CSA cULus GOST-R C-Tick
<b>Ambient Air Temperature For Operation</b>	14...131 °F (-10...55 °C) without derating horizontal installation) 14...140 °F (-10...60 °C) with derating factor horizontal installation) 14...122 °F (-10...50 °C) vertical installation)
<b>Ambient Air Temperature For Storage</b>	-40...158 °F (-40...70 °C)
<b>Relative Humidity</b>	5...95 % without condensation
<b>Ip Degree Of Protection</b>	IP20IEC 61131-2
<b>Pollution Degree</b>	2 IEC 60664
<b>Operating Altitude</b>	0...2000 m
<b>Storage Altitude</b>	0.00...9842.52 ft (0...3000 m)
<b>Vibration Resistance</b>	1 gn 8.4...150 Hz DIN rail 3.5 mm 5...8.4 Hz DIN rail
<b>Shock Resistance</b>	15 gn 11 ms
<b>Electromagnetic Compatibility</b>	Electrostatic discharge immunity test, 4 kV on contact IEC 61000-4-2 Electrostatic discharge immunity test, 8 kV in air IEC 61000-4-2 Susceptibility to electromagnetic fields, 1 V/m 2...2.7 GHz IEC 61000-4-3 Susceptibility to electromagnetic fields, 10 V/m 80...2000 MHz IEC 61000-4-3 Electrical fast transient/burst immunity test, 1 kV I/O IEC 61000-4-4 Electrical fast transient/burst immunity test, 1 kV shielded cable IEC 61000-4-4 Electrical fast transient/burst immunity test, 2 kV power lines IEC 61000-4-4 1.2/50 µs shock waves immunity test, 0.5 kV differential mode IEC 61000-4-5 1.2/50 µs shock waves immunity test, 1 kV common mode IEC 61000-4-5 Conducted RF disturbances IEC 61000-4-6 Conducted and radiated emissions CISPR 11

## Packing Units

<b>Unit Type Of Package 1</b>	PCE
<b>Number Of Units In Package 1</b>	1
<b>Package 1 Height</b>	0.79 in (2.000 cm)
<b>Package 1 Width</b>	2.36 in (6.000 cm)
<b>Package 1 Length</b>	4.13 in (10.500 cm)
<b>Package 1 Weight</b>	1.62 oz (46.000 g)
<b>Unit Type Of Package 2</b>	S02
<b>Number Of Units In Package 2</b>	97
<b>Package 2 Height</b>	5.91 in (15.000 cm)
<b>Package 2 Width</b>	11.81 in (30.000 cm)
<b>Package 2 Length</b>	15.75 in (40.000 cm)
<b>Package 2 Weight</b>	10.51 lb(US) (4.768 kg)

## Contractual warranty

<b>Warranty</b>	18 months
-----------------	-----------

## Sustainability

**Green Premium™ label** is Schneider Electric's commitment to delivering products with best-in-class environmental performance. Green Premium promises compliance with the latest regulations, transparency on environmental impacts, as well as circular and low-CO<sub>2</sub> products.

**Guide to assessing product sustainability** is a white paper that clarifies global eco-label standards and how to interpret environmental declarations.

[Learn more about Green Premium >](#)

[Guide to assess a product's sustainability >](#)



Transparency RoHS/REACH

## Well-being performance

✓ Reach Free Of Svhc

✓ Toxic Heavy Metal Free

✓ Mercury Free

✓ Rohs Exemption Information Yes

✓ Pvc Free

## Certifications & Standards

**Reach Regulation**

[REACH Declaration](#)

**Eu Rohs Directive**

Pro-active compliance (Product out of EU RoHS legal scope)

[EU RoHS Declaration](#)

**China Rohs Regulation**

[China RoHS declaration](#)

**Environmental Disclosure**

[Product Environmental Profile](#)

**Weee**

The product must be disposed on European Union markets following specific waste collection and never end up in rubbish bins

**Circularity Profile**

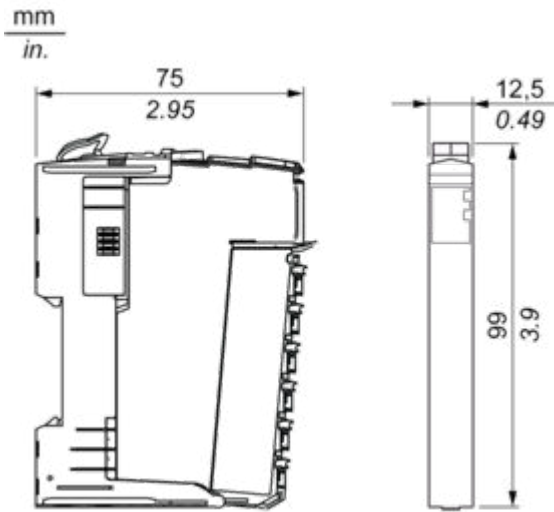
[End of Life Information](#)

Dimensions Drawings

TM5 Slice

---

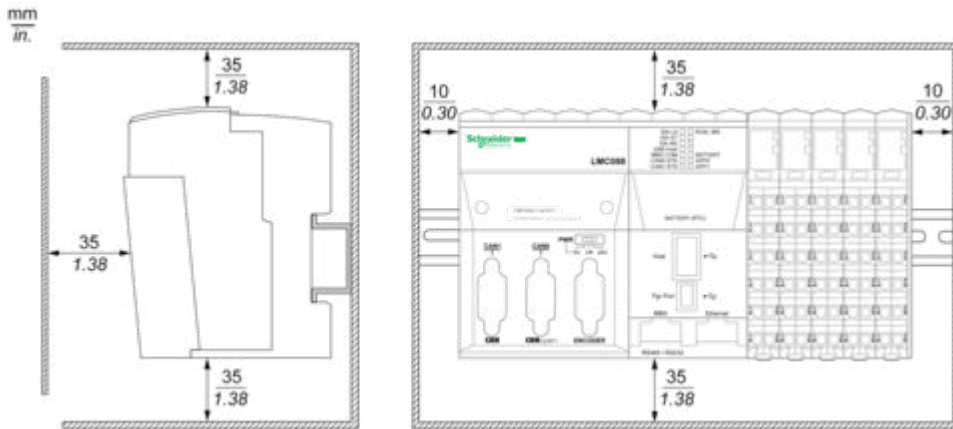
Dimensions



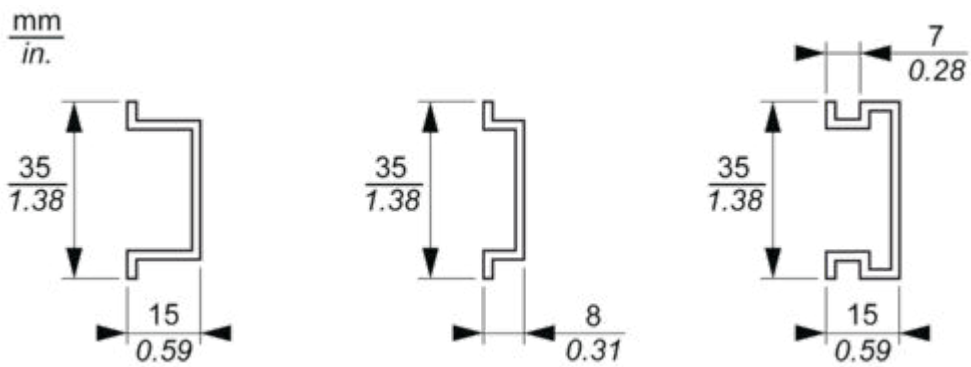
Mounting and Clearance

TM5 System

Spacing Requirements



Mounting on a DIN Rail

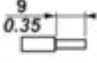


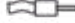



Connections and Schema

**TM5 System Wiring Recommendations**

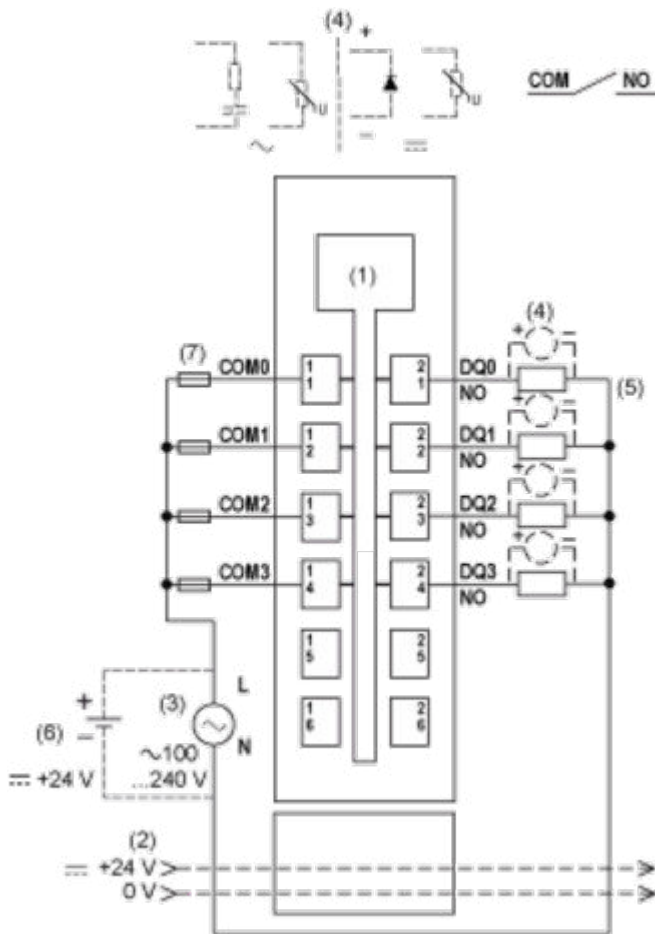
---

**Wire Sizes to Use with the Removable Spring Terminal Blocks**

 mm in.				
mm <sup>2</sup>	0,08...2,5	0,25...2,5	0,25...1,5	2 x 0,25...2 x 0,75
AWG	28...14	24...14	24...16	2 x 24...2 x 18

Electronic Module 4DO 30 Vdc / 230 Vac 5 A Relay N/O

Wiring Diagram



- (1) Internal electronics
- (2) 24 Vdc I/O power segment integrated into the bus bases
- (3) External power supply 100...240 Vac
- (4) Inductive load protection
- (5) 2-wire load
- (6) External power supply 24 Vdc
- (7) External fuse type T slow-blow 5 A - 250 V