

Product data sheet

Specifications



discrete output module, Modicon TM5, 4 DO, 24V DC, 0.5A, 3 wires

TM5SDO4T

Main

Range Of Product	Modicon TM5
Product Or Component Type	Discrete output module
Discrete Output Number	4
Discrete Output Type	Transistor

Complementary

Range Compatibility	Modicon LMC058 PacDrive LMC motion controller Modicon M258
Product Compatibility	PacDrive LMC Pro 2 PacDrive LMC Pro PacDrive LMC Eco Logic controller Motion controller
Output Voltage	24 V DC
Output Voltage Limits	20.4...28.8 V
Discrete Output Logic	Source
Current Per Channel	0.5 A
Maximum Current Per Output Common	2 A
Colour	White
Peak Output Current	12 A
Switching Frequency	<= 500 Hz resistive
Response Time	<= 300 µs from state 0 to state 1 output <= 300 µs from state 1 to state 0 output
Maximum Leakage Current	5 µA when switched off
Protection Type	Reverse polarity protection Short-circuit protection Overload protection
Isolation	500 Vrms AC insulation between channel and bus No insulation between channels
Maximum Voltage Drop	<0.3 V at 500 mA output <2 V at 500 mA sensor supply
Maximum Supply Current For Sensors	500 mA
Current Consumption	20 mA 24 V DC input/output 32 mA 5 V DC bus
Maximum Power Dissipation In W	0.86 W

Local Signalling	1 LED green power supply 1 LED red power supply 4 LEDs yellow output status
Electrical Connection	3 wires
Marking	CE
Net Weight	0.06 lb(US) (0.025 kg)

Environment

Standards	IEC 61131-2 CSA C22.2 No 213 UL 508 CSA C22.2 No 142
Product Certifications	CSA GOST-R cULus C-Tick
Ambient Air Temperature For Operation	14...131 °F (-10...55 °C) without derating horizontal installation) 14...140 °F (-10...60 °C) with derating factor horizontal installation) 14...122 °F (-10...50 °C) vertical installation)
Ambient Air Temperature For Storage	-40...158 °F (-40...70 °C)
Relative Humidity	5...95 % without condensation
Ip Degree Of Protection	IP20IEC 61131-2
Pollution Degree	2 IEC 60664
Operating Altitude	0...2000 m
Storage Altitude	0.00...9842.52 ft (0...3000 m)
Vibration Resistance	1 gn 8.4...150 Hz DIN rail 3.5 mm 5...8.4 Hz DIN rail
Shock Resistance	15 gn 11 ms
Electromagnetic Compatibility	Electrostatic discharge immunity test, 4 kV on contact IEC 61000-4-2 Electrostatic discharge immunity test, 8 kV in air IEC 61000-4-2 Susceptibility to electromagnetic fields, 1 V/m 2...2.7 GHz IEC 61000-4-3 Susceptibility to electromagnetic fields, 10 V/m 80...2000 MHz IEC 61000-4-3 Electrical fast transient/burst immunity test, 1 kV I/O IEC 61000-4-4 Electrical fast transient/burst immunity test, 1 kV shielded cable IEC 61000-4-4 Electrical fast transient/burst immunity test, 2 kV power lines IEC 61000-4-4 1.2/50 µs shock waves immunity test, 0.5 kV differential mode IEC 61000-4-5 1.2/50 µs shock waves immunity test, 1 kV common mode IEC 61000-4-5 Conducted RF disturbances IEC 61000-4-6 Conducted and radiated emissions CISPR 11

Packing Units

Unit Type Of Package 1	PCE
Number Of Units In Package 1	1
Package 1 Height	0.79 in (2.000 cm)
Package 1 Width	2.36 in (6.000 cm)
Package 1 Length	4.13 in (10.500 cm)
Package 1 Weight	1.34 oz (38.000 g)
Unit Type Of Package 2	S02
Number Of Units In Package 2	97
Package 2 Height	5.91 in (15.000 cm)
Package 2 Width	11.81 in (30.000 cm)

Package 2 Length	15.75 in (40.000 cm)
-------------------------	----------------------

Package 2 Weight	8.86 lb(US) (4.017 kg)
-------------------------	------------------------

Contractual warranty

Warranty	18 months
-----------------	-----------

Sustainability

Green Premium™ label is Schneider Electric's commitment to delivering products with best-in-class environmental performance. Green Premium promises compliance with the latest regulations, transparency on environmental impacts, as well as circular and low-CO₂ products.

Guide to assessing product sustainability is a white paper that clarifies global eco-label standards and how to interpret environmental declarations.

[Learn more about Green Premium >](#)

[Guide to assess a product's sustainability >](#)



Transparency RoHS/REACH

Well-being performance

Mercury Free

Rohs Exemption Information Yes

Pvc Free

Certifications & Standards

Reach Regulation

[REACH Declaration](#)

Eu Rohs Directive

Pro-active compliance (Product out of EU RoHS legal scope)

China Rohs Regulation

[China RoHS declaration](#)

Environmental Disclosure

[Product Environmental Profile](#)

Weee

The product must be disposed on European Union markets following specific waste collection and never end up in rubbish bins

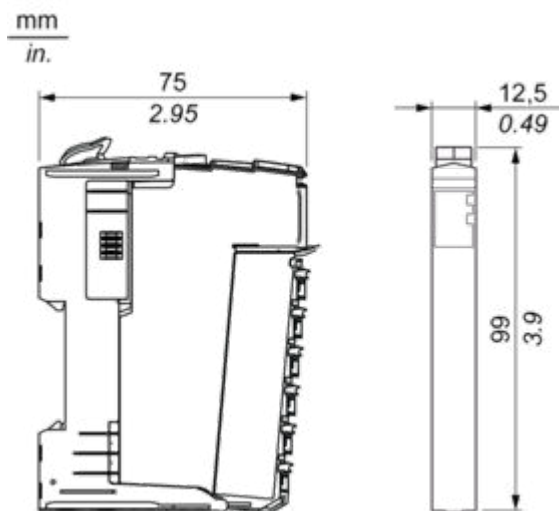
Circularity Profile

[End of Life Information](#)

Dimensions Drawings

TM5 Slice

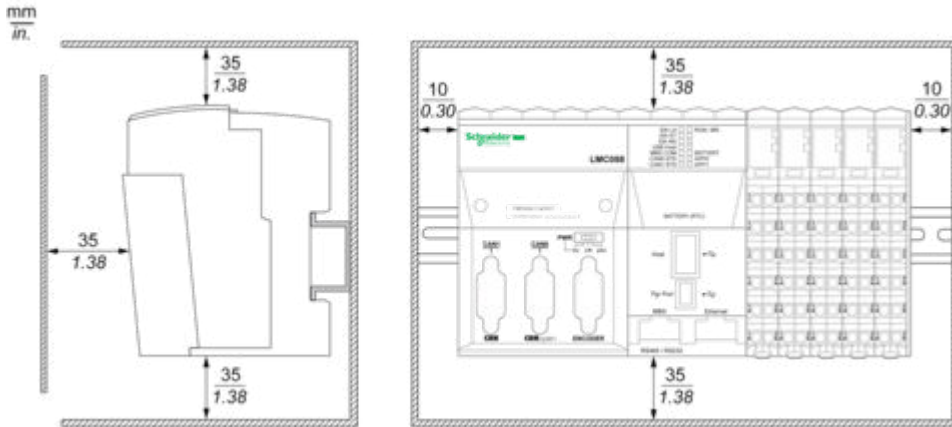
Dimensions



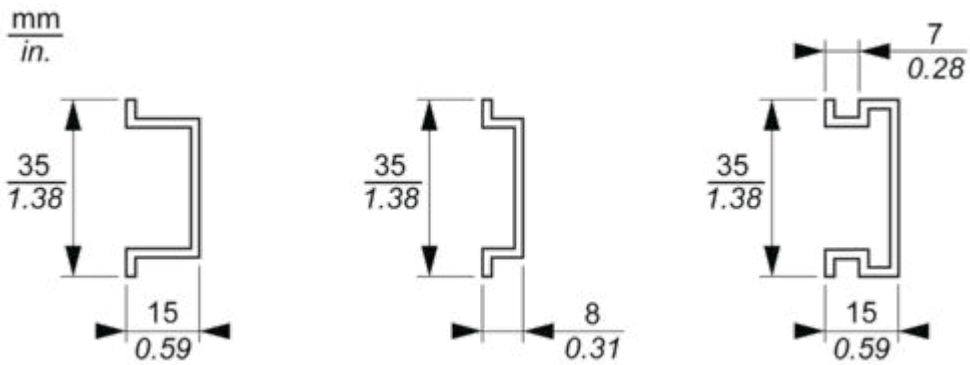
Mounting and Clearance

TM5 System

Spacing Requirements



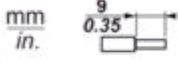


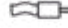
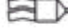
Mounting on a DIN Rail



Connections and Schema

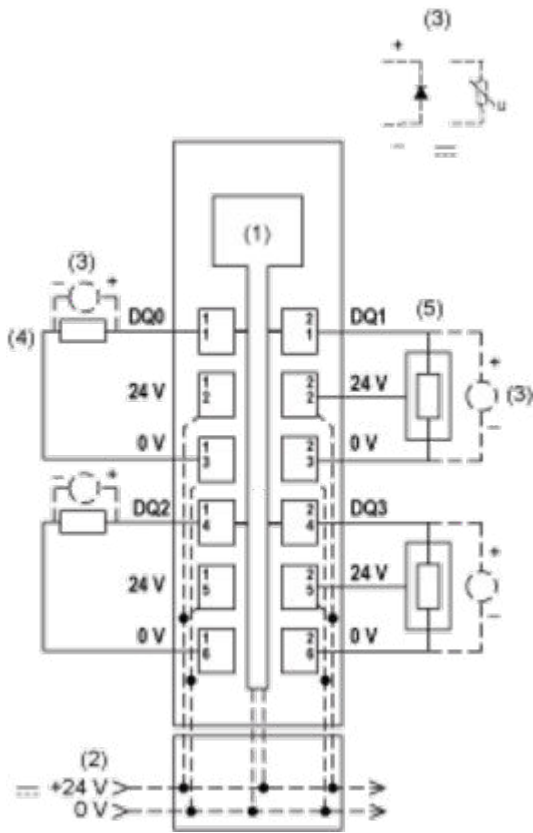
TM5 System Wiring Recommendations

Wire Sizes to Use with the Removable Spring Terminal Blocks

 mm in.				
mm ²	0,08...2,5	0,25...2,5	0,25...1,5	2 x 0,25...2 x 0,75
AWG	28...14	24...14	24...16	2 x 24...2 x 18

Electronic Module 4DO 24 Vdc Tr 0.5 A 3 Wires

Wiring Diagram



- (1) Internal electronics
- (2) 24 Vdc I/O power segment integrated into the bus bases
- (3) Inductive load protection
- (4) 2-wire load
- (5) 3-wire load