

# Product data sheet

Specifications



## Power distribution module, Modicon TM5, for I/O 24 V DC

TM5SPS1

### Main

|                              |                            |
|------------------------------|----------------------------|
| Range Of Product             | Modicon TM5                |
| Product Or Component Type    | Power distribution module  |
| Product Specific Application | Supply 24 V DC I/O modules |

### Complementary

|                                |                                       |
|--------------------------------|---------------------------------------|
| Range Compatibility            | Modicon M258<br>Modicon LMC058        |
| Product Compatibility          | Logic controller<br>Motion controller |
| [Us] Rated Supply Voltage      | 24 V                                  |
| Network Type                   | DC                                    |
| Current Supplied               | 10 A I/O power segment                |
| Maximum Power Dissipation In W | 0.8 W                                 |
| Colour                         | Grey                                  |
| Short-Circuit Protection       | 10 A external fuse                    |
| Current Consumption            | <= 25 mA 24 V DC                      |
| Marking                        | CE                                    |

### Environment

|                                       |  |
|---------------------------------------|--|
| Standards                             | CSA C22.2 No 142<br>CSA C22.2 No 213<br>UL 508<br>IEC 61131-2  |
| Product Certifications                | GOST-R<br>C-Tick<br>cULus<br>CSA   |
| Ambient Air Temperature For Operation | 14...131 °F (-10...55 °C) without derating horizontal installation)<br>131...140 °F (55...60 °C) with derating factor horizontal installation)<br>14...122 °F (-10...50 °C) vertical installation) |
| Ambient Air Temperature For Storage   | -13...158 °F (-25...70 °C)   |
| Relative Humidity                     | 5...95 % without condensation  |
| Operating Altitude                    | 0...2000 m   |
| Storage Altitude                      | 0.00...9842.52 ft (0...3000 m)   |
| Vibration Resistance                  | 1 gn 8.4...150 Hz DIN rail<br>3.5 mm 5...8.4 Hz DIN rail   |
| Shock Resistance                      | 15 gn 11 ms  |

|  |   |
|--|---|
| <b>Resistance To Electrostatic Discharge</b> | 4 kV on contact EN/IEC 61000-4-2<br>8 kV in air EN/IEC 61000-4-2  |
| <b>Resistance To Electromagnetic Fields</b>  | 0.91 V/yd (1 V/m) 2...2.7 GHz EN/IEC 61000-4-3<br>9.14 V/yd (10 V/m) 80...2000 MHz EN/IEC 61000-4-3       |
| <b>Resistance To Fast Transients</b>         | 1 kV EN/IEC 61000-4-4 I/O)<br>1 kV EN/IEC 61000-4-4 shielded cable)<br>2 kV EN/IEC 61000-4-4 power lines) |
| <b>Surge Withstand</b>                       | 0.5 kV differential mode EN/IEC 61000-4-5<br>1 kV common mode EN/IEC 61000-4-5                            |
| <b>Electromagnetic Compatibility</b>         | EN/IEC 61000-4-6  |
| <b>Disturbance Radiated/Conducted</b>        | CISPR 11  |

## Packing Units

|                                     |                        |
|-------------------------------------|------------------------|
| <b>Unit Type Of Package 1</b>       | PCE                    |
| <b>Number Of Units In Package 1</b> | 1                      |
| <b>Package 1 Height</b>             | 0.79 in (2.000 cm)     |
| <b>Package 1 Width</b>              | 2.36 in (6.000 cm)     |
| <b>Package 1 Length</b>             | 4.17 in (10.600 cm)    |
| <b>Package 1 Weight</b>             | 1.23 oz (35.000 g)     |
| <b>Unit Type Of Package 2</b>       | S02                    |
| <b>Number Of Units In Package 2</b> | 97                     |
| <b>Package 2 Height</b>             | 5.91 in (15.000 cm)    |
| <b>Package 2 Width</b>              | 11.81 in (30.000 cm)   |
| <b>Package 2 Length</b>             | 15.75 in (40.000 cm)   |
| <b>Package 2 Weight</b>             | 8.48 lb(US) (3.847 kg) |

## Contractual warranty

|                 |           |
|-----------------|-----------|
| <b>Warranty</b> | 18 months |
|-----------------|-----------|

## Sustainability

**Green Premium™ label** is Schneider Electric's commitment to delivering products with best-in-class environmental performance. Green Premium promises compliance with the latest regulations, transparency on environmental impacts, as well as circular and low-CO<sub>2</sub> products.

**Guide to assessing product sustainability** is a white paper that clarifies global eco-label standards and how to interpret environmental declarations.

[Learn more about Green Premium >](#)

[Guide to assess a product's sustainability >](#)



Transparency RoHS/REACH

## Well-being performance

Toxic Heavy Metal Free

---

Mercury Free

---

Rohs Exemption Information Yes

---

Pvc Free

---

## Certifications & Standards

Reach Regulation

[REACH Declaration](#)

---

Eu Rohs Directive

Pro-active compliance (Product out of EU RoHS legal scope)

---

China Rohs Regulation

[China RoHS declaration](#)

---

Environmental Disclosure

[Product Environmental Profile](#)

---

Weee

The product must be disposed on European Union markets following specific waste collection and never end up in rubbish bins

---

Circularity Profile

[End of Life Information](#)

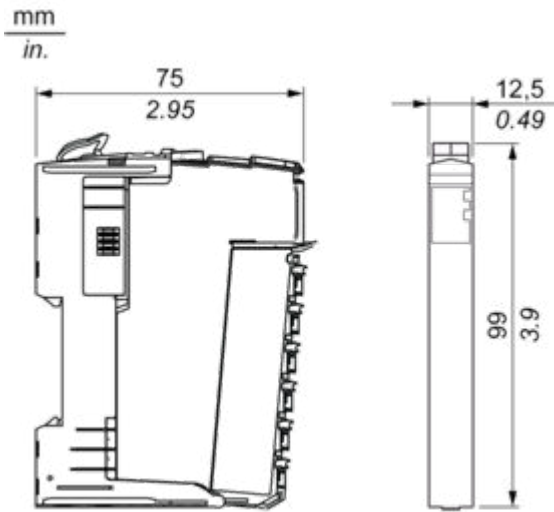
---

Dimensions Drawings

TM5 Slice

---

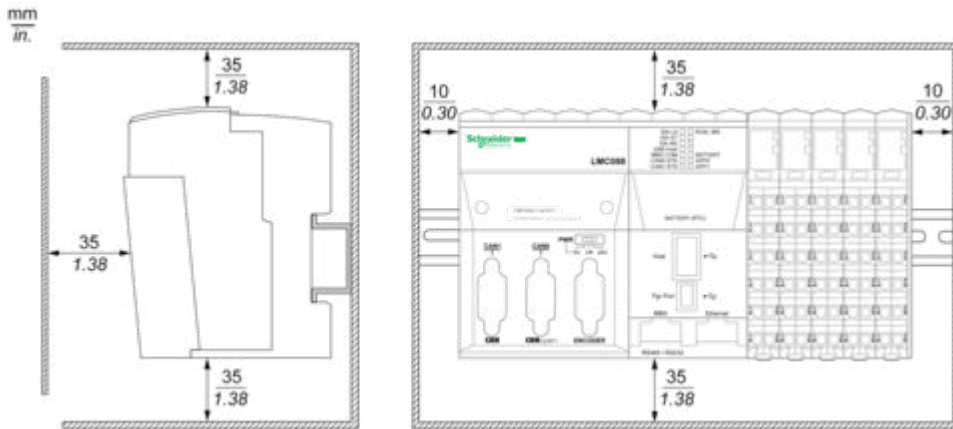
Dimensions



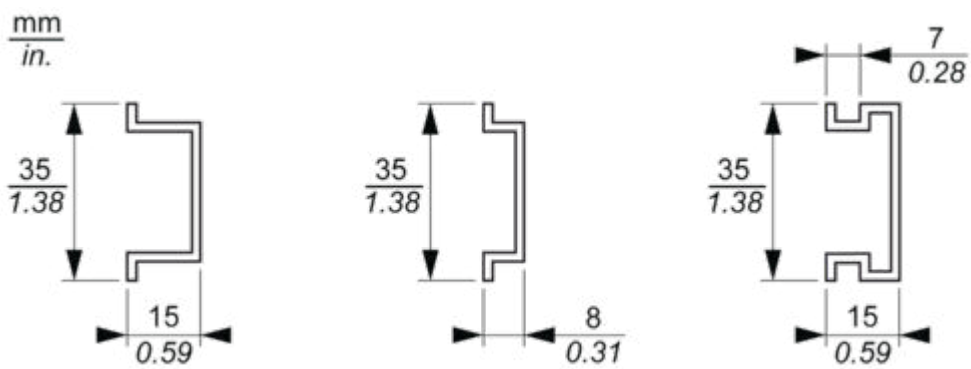
Mounting and Clearance

TM5 System

Spacing Requirements



Mounting on a DIN Rail

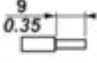


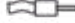



Connections and Schema

**TM5 System Wiring Recommendations**

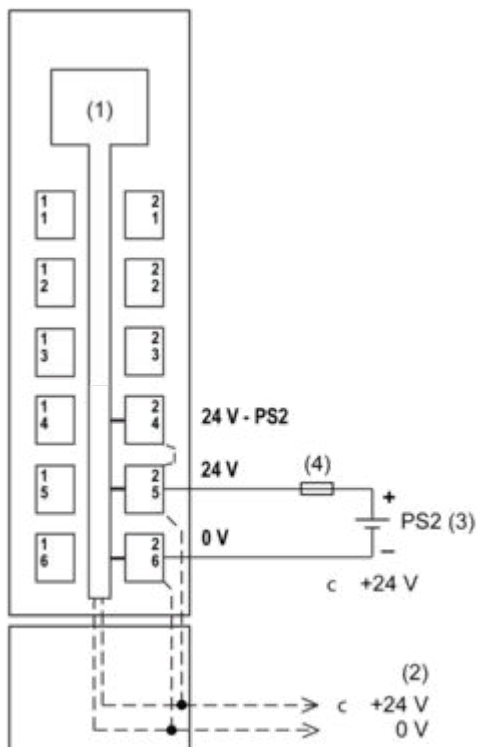
---

**Wire Sizes to Use with the Removable Spring Terminal Blocks**

| <br>mm<br>in. |  |  |  |  |
|--|---|---|---|---|
| mm <sup>2</sup>  | 0,08...2,5  | 0,25...2,5  | 0,25...1,5  | 2 x 0,25...2 x 0,75   |
| AWG  | 28...14   | 24...14   | 24...16   | 2 x 24...2 x 18   |

PDM Electronic Module 24 Vdc I/O

Wiring Diagram



- (1) Internal electronics
- (2) 24 Vdc I/O power segment integrated into the bus bases
- (3) PS2: External isolated SELV power supply 24 Vdc limited to 200 VA for UL508 conformance, or limited to 150 VA for CSA 22.2, N° 142
- (4) External fuse type T slow-blow 10 A max. 250 V